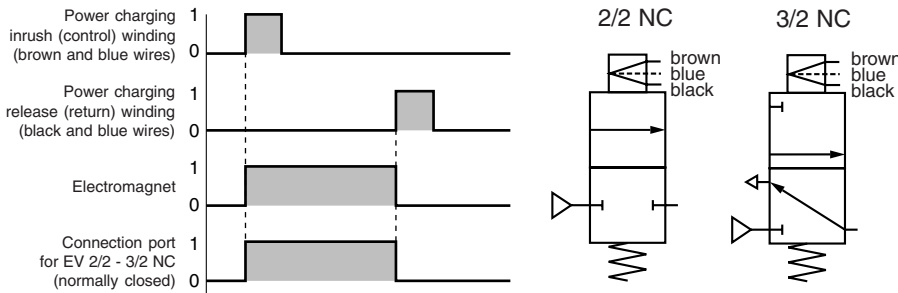


FEATURES

This magnetic latch coil is bistable. It includes a permanent magnet and two windings which require a single pulse to switch. This offers the following advantages:

- **Energy saving** (especially important for battery powered equipment)
- **Bistable function:** a monostable valve (with spring return or differential) may be converted into a bistable device
- **Smaller dimensions and fewer connections** than in standard electropneumatic bistable valves (a single pilot valve is necessary instead of two)
- **Fail safe** even in case of power loss
- **No heating.**

Functional diagram

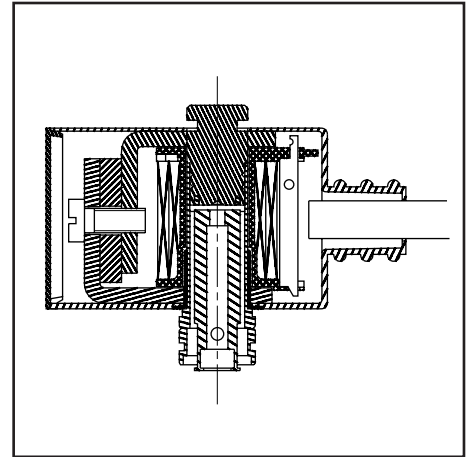


NOTE: Normally closed valves can be converted to normally open 2/2 or 3/2 valves, inverting control and return signals (brown and black wires).

GENERAL / APPLICATIONS

Magnetic latch coil size suitable for fitting to the solenoid valves:

orifice / position	NC solenoid valves	orifice size	ΔP	for further information (see leaflet)
		(mm)	min.-max. (bar)	
2/2 (1)	108 pad mounting *	1,5	0 - 8	V295
	238 3/8..1 tapped	12/15/20/25	0,3 - 6,5	V316
3/2	189 pad mounting *	1,2	0 - 10	V585
	189 1/8 Banjo threaded **	1,2	0 - 10	V439
	109 pad mounting *	1,5 / 2,5	0 - 8 / 3	V590
	190 pad mounting *	1,6	0 - 9	P510
Mounting magnetic latch coil on valves				
3/2 (3)	551 tapped 1/4 or NAMUR	6	2 - 10	consult
5/2 (3)	551 tapped 1/4 or NAMUR	6	2 - 10	ASCO/JOUCOMATIC



- * Pad mounting solenoid valves:
EV 108 for sub-base ØM5
EV 109: for sub-base ØM5
EV 189-190: sub-bases with couplers or 1/8 (2)
- ** Pilot solenoid valve 290/390

CONSTRUCTION

- Solenoid head** moulded plastic cover
- Coil insulation class** F
- Coil connection** Leaded 3 core copper wire, section 0,5 mm², length 0,5 m with silicon insulation (other lengths on request)
- Electrical safety** IEC 335

ELECTRICAL CHARACTERISTICS

Standard voltages DC (=) : 24V

(Other DC voltages on request)

coil type	nominal power ratings	ambient temperature range	protection
	= (W)		
size 22	4	-10 to +60	moulded IP65

- (1) 2/2 solenoid valves are specially designed to be controlled by a magnetic latch coil, **consult us**.
- (2) The two pad-mounting solenoid valves, for compressed air, series 189-190 with magnetic latch coil, are fitted to single or joinable sub-bases (189 only)
- (3) Pilot operated valves fitted with a double pulse coil may be changed into bistable valves

J

ELECTRICAL WORKING CONDITIONS

. Min. pulse time (at 20°C and ΔP max.) . Max. pulse time (at 60°C) * With a max. percentage duty cycle of:	All types of solenoid valves (except series 108)	Subbase mounted 2/2 solenoid valve - series 108 only
	100 ms (**) 1 h * 30% (30% alive 70% idle)	80 ms (**) 20 mn * 10% (10% alive 90% idle)

(**) for shorter times, consult us

RESISTANCE TO ACCELERATIONS AND VIBRATIONS (Solenoid valves under max. differential pressure ΔP)

. Resistance to acceleration due to indirect shock . Resistance to constant acceleration . Resistance to vibration (within the 5 to 1000 Hz range)	2/2 solenoid valves	3/2 solenoid valves
	15G 15G 10G	7G 10G 2G

NOTE - for over operating or ambient conditions, please consult us

SPECIFICATIONS

coil type	catalogue number
Magnetic latch 24 V DC coil with cable length 0,5 m	43004726

Catalogue number to be added to that of the solenoid valve without coil (except 2/2 type) (for solenoid valves 2/2: consult us)

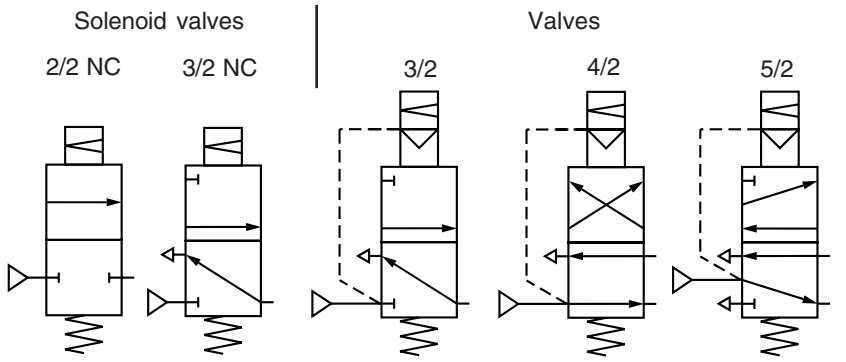
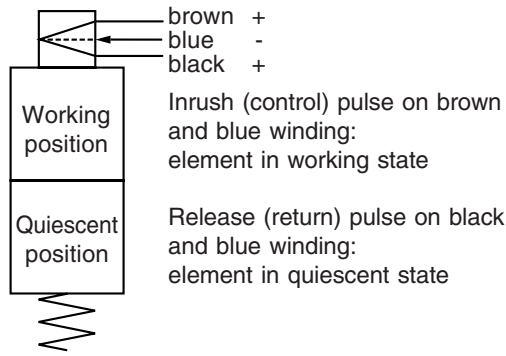
OPTION

- Other DC voltages, consult us
- Other cable lengths

INSTALLATION

- The magnetic latch coil must be mounted **with the metal ring oriented towards the solenoid valve body**
- Solenoid valve fitted with a magnetic latch coil can be mounted in any position
- Installation/maintenance instructions are included with each coil.

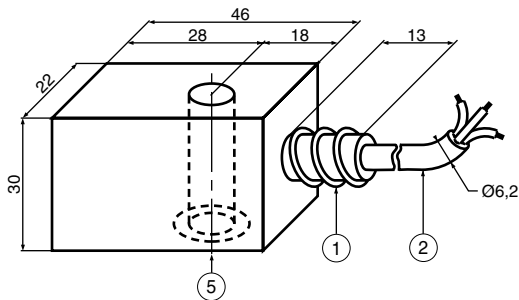
CONNECTION DIAGRAM



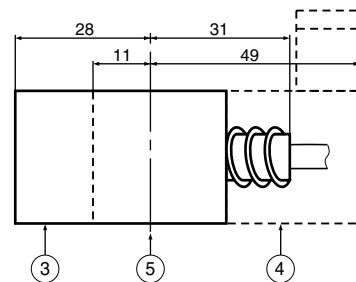
NOTE: Normally closed NC valves can be converted to normally open 2/2 NO or 3/2 NO valves, inverting control and return signals (brown and black wires).

DIMENSIONS (mm), WEIGHT (kg)

Weight: 0,130



Comparative diagram between standard coil and magnetic latch coil



- ① Threaded bond for protective sleeve carrier
- ② Leaded 3 core copper wire: section 0,5 mm², length 0,5 m with silicone insulation

- ③ Magnetic latch coil
- ④ Standard size 22 coil with connector
- ⑤ Tube axis of solenoid