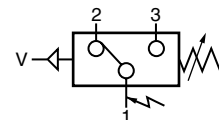


ADJUSTABLE VACUUM SWITCH

G 1/4 or subbase mounted

(version with protection and status indicators : see overleaf)



SPECIFICATIONS

FLUID	: circuit under vacuum pressure, filtered
CONNECTION	: G1/4 or subbase mounted
PRESSURE SETTING	: -0,2 to -1 bar
HYSTERESIS	: 0,1 bar at the beginning of adjustment range 0,2 bar at the end of adjustment range
ALLOWABLE BACK-PRESSURE	: + 10 bar
OPERATING TEMPERATURE	: -10°C; +60°C
ELECTRICAL CONNECTION	: ISO 4400, CM10 (Pg 11P) connector (4 terminals) disconnectable and rotatable by 90°
MAX. VOLTAGE	: 250 V - AC or DC
PROTECTION DEGREE	: IP65
MOUNTING POSITIONS	: all positions
MAX. SPEED	: 60 cycles per minute



CONSTRUCTION

- Polycarbonate body (PC)
 - Nitrile (NBR) sealings
 - Commutator (reversing switch)
 - at rest : contact 1-2 made
 - at work : contact 1-3 made
- Mechanical service life : 5.10⁶ contacts
Vacuum set by set screw and lock-nut

ELECTRICAL CHARACTERISTICS - CURRENT BREAKING CAPACITY

Line voltage (V)	DIRECT CURRENT		ALTERNATING CURRENT	
	Resistive load (A)	Inductive load (A)	Resistive load (A)	Inductive load (A)
30	5	3	-	-
115	0,4	0,05	5	3
250	0,25	0,02	5	3

CHOICE OF EQUIPMENT

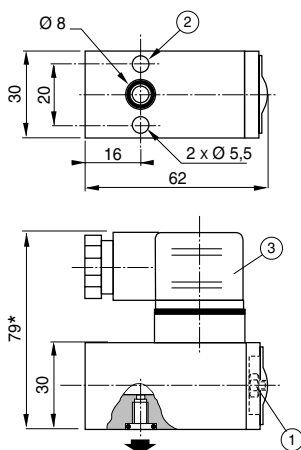
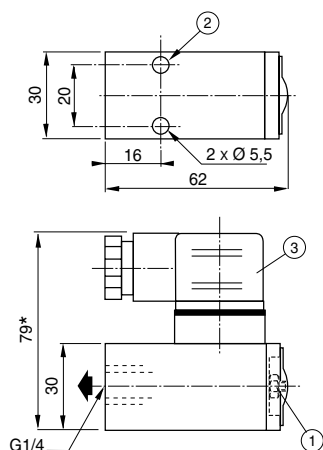
Type	Designation	CODES
	Adjustable pressure switch -0,2 to -1 bar with side pneumatic connection, tapped G1/4	349 00 012
	Adjustment pressure switch -0,2 to -1 bar with subbase mounted pneumatic connection	349 00 024

DIMENSION AND WEIGHT

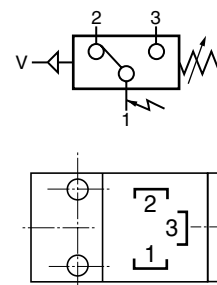
Weight : 110 g

Tapped

Subbase mounted



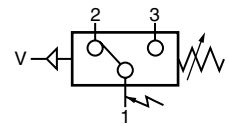
ELECTRICAL CONNECTION



- ① Pressure set screw (spanner for hexagon nuts : 3 mm)
- ② 2 holes Ø 5,5 for mounting
- ③ ISO4400, Pg11P connector, 4 terminals, rotatable by 90°
- * + 15 mm for connector clearance

ADJUSTABLE VACUUM SWITCH

with protection and status indicators
G 1/4 or subbase mounted



SPECIFICATIONS

FLUID	: circuit under vacuum pressure, filtered
CONNECTION	: G 1/4 or subbase mounted
PRESSURE SETTINGS	: -0,2 to -1 bar
HYSTERESIS	: 0,1 bar at the beginning of adjustment range 0,2 bar at the end of adjustment range
ALLOWABLE BACK-PRESSURE	: +10 bar
ADMISSIBLE TEMPERATURE	: 0°C, +60°C
ELECTRICAL CONNECTION	: ISO 4400, CM5/8 (Pg9P) connector (4 terminals) disconnectable, not rotatable with transparent polyamid cover
MAX. VOLTAGE	: 24 Volts - DC
DEGREE OF PROTECTION	: IP65
MOUNTING POSITIONS	: all positions
MAX. SPEED	: 60 cycles per minute



CONSTRUCTION

Polycarbonate body (PC)
Nitrile (NBR) sealings
Commutator (reversing switch) : see below
Mechanical service life : 5.10⁶ contacts
Vacuum set by set screw and lock-nut

ELECTRICAL CHARACTERISTICS - CURRENT BREAKING CAPACITY

24V DC (=) Resistive load = 2A max.
Inductance load = 2A max.

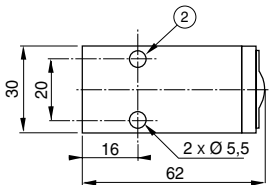
CHOICE OF EQUIPMENT

Type	Designation	CODES
	Adjustable pressure switch -0,2 to -1 bar with protection and status indicators, side pneumatic connection, tapped G1/4	349 00 013
	Adjustable pressure switch -0,2 to -1 bar with protection and status indicators, subbase mounted pneumatic connection	349 00 025

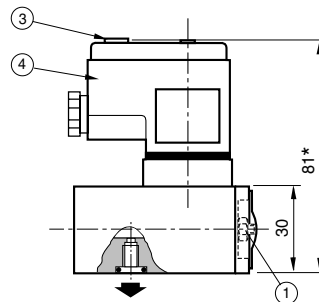
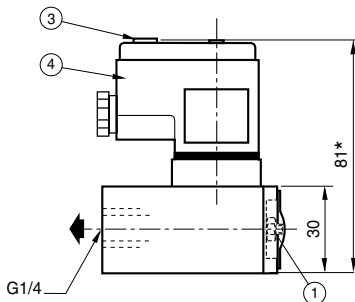
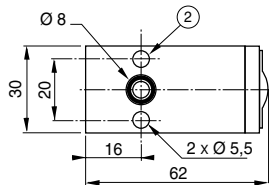
DIMENSIONS AND WEIGHT

Weight : 110 g

Tapped



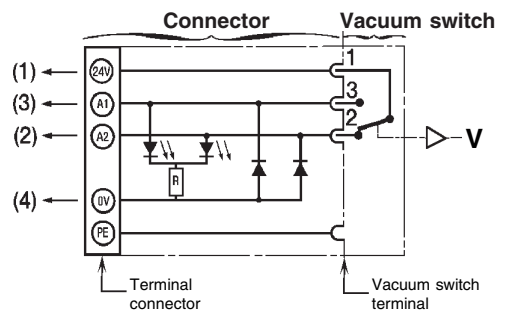
Subbase mounted



- ① Pressure set screw (spanner for hexagon nuts : 3 mm)
- ② 2 holes Ø 5,5 for mounting

- ③ Identification label holder
- ④ Pg9P connector, **not rotatable**
- * +15 mm for connector clearance

ELECTRICAL DIAGRAM



Status indicated by two diodes :

- at rest : contact 1-2 made : orange diode lights
 - at work : contact 1-3 made : red diode lights
- Terminal connection for 1,5 mm² wire
Integrated interference blanking

ELECTRICAL CONNECTION

