



SPECIFICATION

FLUID CONTROLLED : Filtered compressed air, neutral gases and water
 PORTS : G 1/8 - G 1/4
 MAX. INLET PRESSURE : 12 bar
 ADJUSTMENT RANGES : 0.2 - 3 bar, 0.5 - 10 bar (0.3 - 6 bar / water)
 AMBIENT TEMPERATURE : -10°C to +60°C
 MAX. FLOW (Qv at 6 bar) : 500 l/min - 650 l/min (ANR)
 HYSTERESIS : 0.350 bar
 SELF-RELIEVING REGULATOR (for air or neutral gases)
 WITHOUT SELF-RELIEVING REGULATOR (for water)



CONSTRUCTION

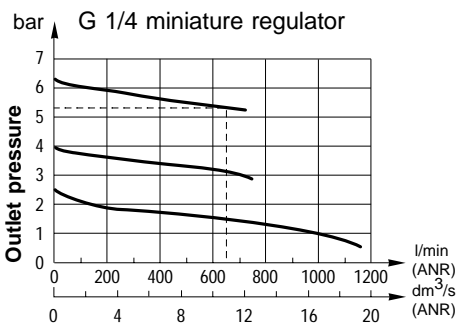
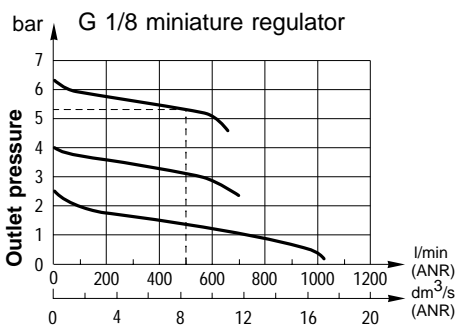
Rolling membrane regulation device (very low hysteresis)
 Core and seals of nitrile (NBR)
 Body and bonnet of glass fibre reinforced polyamide (PA + FG)
 Pressure control button with "pull-turn-push" locking system
 Flow direction indicated by arrow
 Two G 1/8 ports provided for a pressure gauge on the regulator (+ 1 blanking plug)
 Miniature regulator mounting options:
 - direct mounting with two 4 mm dia. screws through the 40 mm long holes in the body (screws not supplied)
 - panel mounting (30.5 mm dia.) using the mounting ring supplied with each regulator
 - mounting by bracket at top (accessory)

CHOICE OF EQUIPMENT

Air or neutral gases version				
Port size	Maximum flow at 6.3 bar at setpoint pressure and ΔP of 1 bar / setpoint		CODES	
	l/min (ANR)	dm ³ /s (ANR)	Adjustment range	
G 1/8	500	8,5	0,2 - 3 bar	34200312 34200311
G 1/4	650	11	0,5 - 10 bar	34200314 34200313

Water version				
Port size	Flow coefficient Kv		CODES	
	m ³ /h	l/min	Adjustment range	
G 1/8	0,37	6,2	0,2 - 3 bar	34202048 34202050
G 1/4	0,46	7,6	0,3 - 6 bar	34202049 34202051

PRESSURE LOSS VERSUS AIR FLOW CURVES

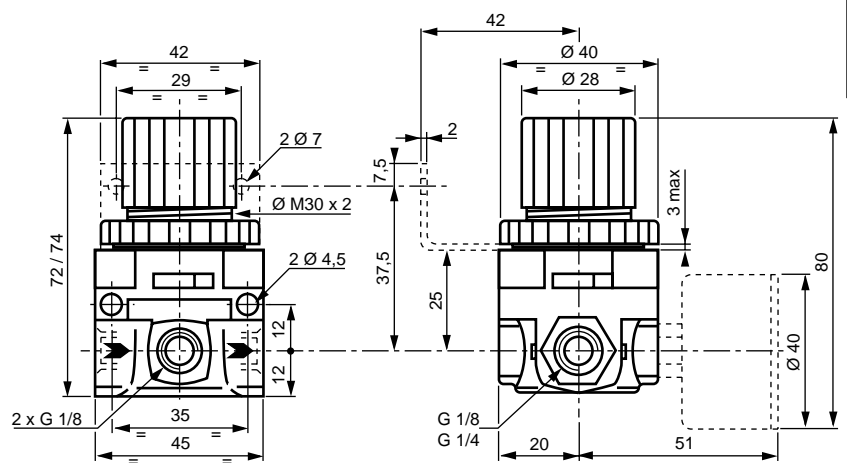


ACCESSORIES (valid for air or water)

- 40 mm dia. pressure gauge: 0-4 bar code: **34300015**
0-12 bar code: **34300041**
- Top mounting bracket: code: **34300016**

DIMENSIONS AND WEIGHTS

Weights G 1/8: 118 g
 G 1/4: 108 g



ASCO/JOUCOMATIC reserves the right to alter the availability, design and specifications without notice.

H