

Subbase mounted - Subbase Ø M5, G1/8 or instant fittings

PIEZOTRONIC

SPECIFICATIONS

FLUIDS	: air or neutral gas, filtered at 5 µm, condensate free dew point -10°C
PRESSURE	: 0 to 4 or 8 bar
MAX. ALLOWABLE PRESSURE (MAP)	: 8 bar
FLUID TEMPERATURE	: 0°C to +60° C
AMBIENT TEMPERATURE	: 0°C to +60° C
STORAGE TEMPERATURE	: -40°C to +60°C
BASE	: Compatible CNOMO E06.36.120N (size 15) CNOMO E06.05.80 (size 30, with adapter)
MOUNTING	: on subbases ØM5, G1/8 or instant fittings
SERVICE LIFE	: > 10 ⁹ cycles at 6 bar
MOUNTING POSITION	: all
HYSTERESIS	: 10 to 15 %



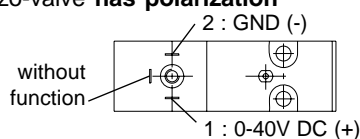
CONSTRUCTION

PROPORTIONAL OPERATED VALVE	
Body	: synthetic material (PPS)
Internal parts	: piezo ceramics
Sealings	: nitrile (NBR)
Manual override	: without or impulse type
Subbase	: brass, polyamide, zinc diecast

ELECTRICAL CONNECTION

Version with pins

Piezo-valve has polarization



Version with wires :

Piezo-valve has polarization

red wire : (+)

black wire : (-)

ELECTRICAL CHARACTERISTICS

Voltage (Maximum ripple : 10 %)	Consumption (hold position)	Protection degree	Electrical connection
0 to 40 V DC	< 100 µA	IP 65	Size 15 connector, DIN 43650, 9,4 mm, industry standard B, rotatable by 90°, Option : with 2 wires AWG 28, 1m long

CHOICE OF EQUIPMENT

Symbol Function	Flow at 6 bar l/min (ANR)	Kv coefficient	Allowable differential pressure (Δp in bar)		(M)	catalogue number		
			min.	max.		with standard connector	with pins without connector	with 2 wires, 1 m long
2/2 NC 	6	0,086	0	8	X ▼	63000075 63000079	63000027 63000031	63000035 63000039
	6,5 ⁽¹⁾	0,12	0	4	X ▼	63000076 63000080	63000028 63000032	63000036 63000040
2/2 NO 	6	0,086	0	8	X ▼	63000077 63000081	63000029 63000033	63000037 63000041
	6,5 ⁽¹⁾	0,12	0	4	X ▼	63000078 63000082	63000030 63000034	63000038 63000042

(M) Manual operator: X : without ▼ : Impulse

(1) Flow at 4 bar in l/min (ANR)

EMBASE : Single subbase with lateral connection Ø M5 - code : **88263002**

Single or joinable subbase with instant fittings or G 1/8 (with adapter, see P509-2)

Multiple subbase, consult us

PROPORTIONAL VERSION

Unlike the directly operated on/off type, the proportional version is not equipped with electronics. Please check for **correct polarity** when connecting the valve. The piezo element will be damaged if the polarity of the connections is inversed. The charging and discharging function must be done by the user's control system.

N.B. : The current must be limited by a serial resistor greater than 30 ohms.

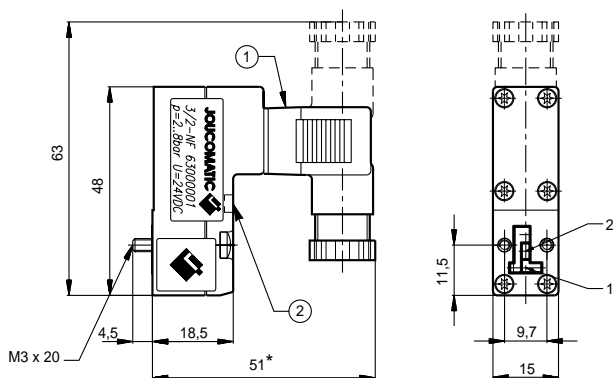
ACCESSORIES

description	catalogue number
Plug size 15 with 2 m cable	88143567
Adapter for mounting PIEZOTRONIC on CNOMO base E06.05.80 (size 30)	88263001

DIMENSIONS AND WEIGHTS

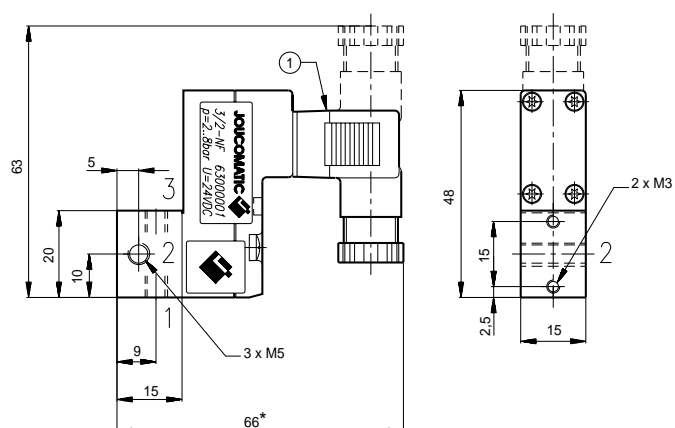
MINI VALVE WITH STANDARD CONNECTOR

Weight : 24 g without connector
34 g with connector



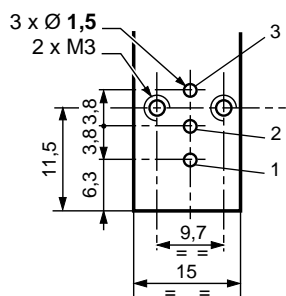
MINI VALVE ON SINGLE SUBBASE 88263002

Weight : 68 g



MOUNTING FACE

Subbase for mini piezo-valve
CNOMO E06.36.120N (size 15)



Single subbase connection :

Outlet (2) can be connected on the left or on the right of subbase ;
closed unused port with a \varnothing M5 plug (supplied).

① Connector size 15 rotatable by 90°

② Manual operator by impulse

(*) + 10 mm for clearance

NOTA : port 3 not used