

FEATURES

- Rugged forged brass bodied solenoid valves (bistable function) designed to provide maximum flow
- Solenoid valves have poppet type seats and discs to provide tight sealing
- Main valve discs are power driven in both directions by line pressure (min. ΔP 0,7/1,7 bar)
- The solenoid valves satisfy all relevant EC directives

GENERAL

Differential pressure 0,7/1,7 - 24 bar [1 bar = 100 kPa]
Maximum viscosity 65 cSt (mm²/s)
Response times 100 - 1000 ms

fluids (*)	temperature range (TS)	seal materials (*)
air, inert gas, water, oil	-20 to +85°C	NBR (nitrile)



MATERIALS IN CONTACT WITH FLUID

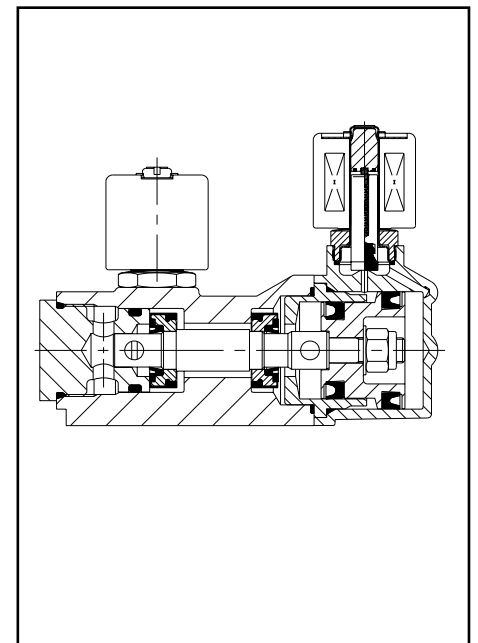
(*) Ensure that the compatibility of the fluids in contact with the materials is verified

Body Brass
Core tube Stainless steel
Core and plugnut Stainless steel
Core spring Stainless steel
Seal NBR
Discs and poppets NBR
Pilot cartridge CA
Shaft gasket Copper alloy
Shading coil Copper

ELECTRICAL CHARACTERISTICS

Coil insulation class F
Connector Spade plug (cable \varnothing 6-10 mm)
Connector specification ISO 4400 / EN 175301-803, form A
Electrical safety IEC 335
Standard voltages DC (=): 24V
 (Other voltages and 60 Hz on request) AC (~): 24V - 115V - 230V / 50 Hz

coil type	power ratings				ambient temperature range (TS) (°C)	protection
	inrush ~ (VA)	holding ~ (VA) (W)		hot/cold = (W)		
		~ (VA)	(W)			
CM6-FT	34,0	15,6	6,0	7 / 9,7	-20 to +75	moulded IP65
CMXX-FT	55,0	23,0	10,5	9 / 11,2	-20 to +75	moulded IP65



SPECIFICATIONS

pipe size inlet exhaust	orifice size	flow coefficient Kv (m ³ /h) (l/min)		operating pressure differential (bar)						coil type		catalogue number	OPTIONAL					
				maximum (PS)									FPM	EPDM	CR	PTFE		
				min.	air (*)		water (*)		oil (*)									
NPT	(mm)	(m ³ /h)	(l/min)		~	=	~	=	~	=	~	=						
1/4	3/8	6,4	0,7	11,6	(1)	17	9	14	9	9	7	CM6-FT	CM6-FT	SCB344.044	V			
	3/8	6,4	0,7	11,6	(1)	24	-	24	-	20	-	CMXX-FT	-	SCB344B046	V			
	3/8	6,4	0,7	11,6	(1)	24	9	24	9	20	9	MXX-FT	CM6-FT	SCB344B048	V			
3/8	1/2	9,0	1,9	31,6	(1)	17	9	14	9	9	7	CM6-FT	CM6-FT	SCB344.080	V			
	1/2	9,0	1,9	31,6	(1)	20	-	20	-	14	-	CMXX-FT	-	SCB344B050	V			
1/2	1/2	9,0	1,9	31,6	(1)	17	9	14	9	9	7	CM6-FT	CM6-FT	SCB344.082	V			
	1/2	9,0	1,9	31,6	(1)	20	-	20	-	14	-	CMXX-FT	-	SCB344B052	V			
3/4	1	19,0	4,8	80,0	(1)	20	9	20	9	14	7	CMXX-FT	CM6-FT	SCB344B054				
1	1	19	4,8	80,0	(1)	20	9	20	9	14	7	CMXX-FT	CM6-FT	SCB344B056				

(1) Min.: 0,7 bar for air, gas, water; 1,7 bar for oil.

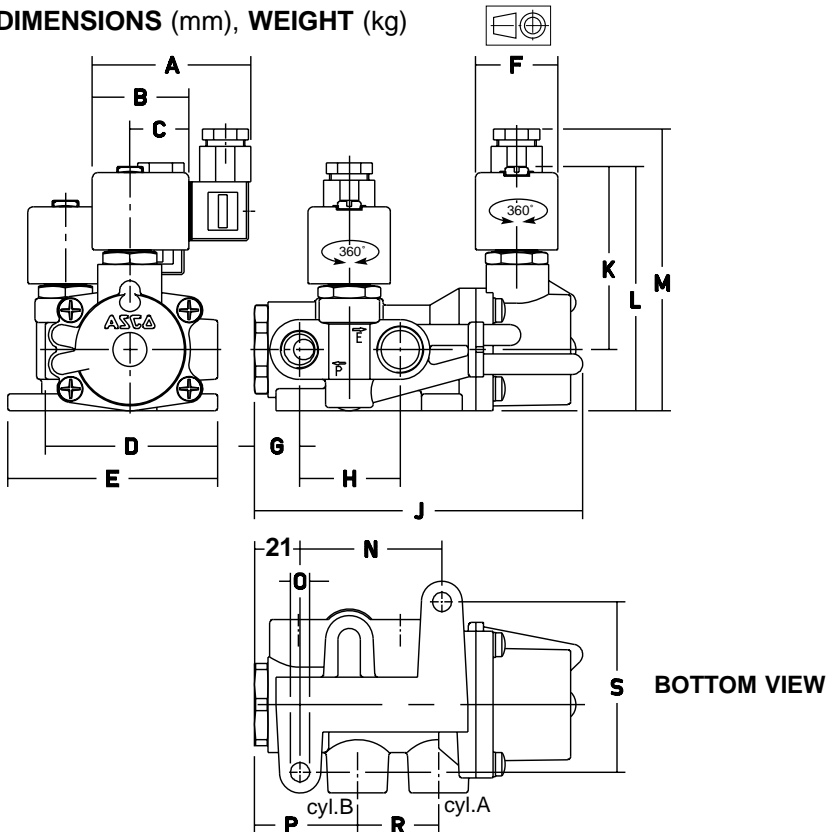
OPTIONS

- Valves can also be supplied with FPM (fluorelastomer) seals and discs. Use the appropriate optional suffix for identification
- Metal enclosure with embedded screw terminal coil and Pg 13,5 cable gland to meet CEE-10 (IP67)
- Explosionproof enclosures for hazardous locations according to "ATEX/CENELEC" and national standards
- Explosionproof and watertight enclosures according to "NEMA" standards
- Compliance with "UL" and "CSA" standards
- Low power execution
- Manual operator
- Special valves are available for dry-air gas, continuous cycling, clickless and quiet operation
- Plug with visual indication and with peak voltage suppression or with cable length of 2 m

INSTALLATION

- The valves can be mounted in any position without affecting operation
- Mounting holes (2) are provided in body
- Solenoid may be energized momentarily or continuously
Minimum on-time of coil is 0,3 second on air and 1,0 second on liquids
- Pipe connection identifier is: B = NPT (ANSI 1.20.3)
- The third digit in the catalogue number indicates the standard pipe connection
- Other pipe threads are available on request
- Installation/maintenance instructions are included with each valve
- Spare Parts Kit and replacement coils are available

DIMENSIONS (mm), WEIGHT (kg)



catalogue number SC B344	A	B	C	D	E	F	G	H	J	K	L	M	N	O	P	R	S	weight (1)	
.044	(~)	75	45	27	80	105	39	18	36	120	86	110	127	48	7	40	26	61	2,4
B046, B048	(~)	80	50	30	80	108	45	18	36	124	90	114	134	48	7	40	26	61	2,8
.080, .082	(~)	75	45	27	81	114	39	21	47	154	86	115	132	67	8,7	48	38	79	4,4
B050, B052	(~)	80	50	30	81	117	45	21	47	154	90	119	136	67	8,7	48	38	79	4,5
B054, B056	(~)	80	50	30	116	125	45	38	54	209	101	140	157	99	8,7	66	53	97	9,0
.044, B048	(=)	75	45	27	80	105	39	18	36	120	86	110	127	48	7	40	26	61	2,4
.080, .082	(=)	75	45	27	81	114	39	21	47	154	86	115	132	67	8,7	48	38	79	4,4
B054, B056	(=)	75	45	27	116	122	39	38	54	209	97	136	153	99	8,7	66	53	97	8,9

(1) incl. coil and connector

(~) AC only

(=) DC only

All leaflets are available on: www.ascojouiomatic.com