

### FEATURES

- All products are covered by the Pressure Equipment Directive 97/23/EC and are suitable for group 1 and 2 fluids
- Valves are designed to eliminate water hammer when closing
- The unique closing construction reduces pressure spikes to a level eliminating the need for suppressors and other controls
- Two way slow closing shut-off solenoid valves (min.  $\Delta P = 0,35$  bar) for control of cold water, hot water and oil, or other fluids compatible with the sealing materials used
- The solenoid valves satisfy all relevant EC directives

### GENERAL

Differential pressure 0,35 - 10 bar [1 bar =100 kPa]  
Maximum viscosity 65 cSt (mm<sup>2</sup>/s)  
Response times 645 - 1080 ms

fluids (*)	temperature ranges (TS)	seal materials (*)
water and oil	0 to +90°C	NBR (nitrile)
water	0 to +100°C	EPDM (ethylene propylene)

### MATERIALS IN CONTACT WITH FLUID

(\*) Ensure that the compatibility of the fluids in contact with the materials is verified

Body	Brass
Core tube	Stainless steel
Core and plugnut	Stainless steel
Springs	Stainless steel
Seat	Brass
Seals	NBR or EPDM
Discs	NBR or EPDM
Piston	Stainless steel
Piston rings	PTFE-reinforced
Flow control device	NBR or EPDM
Shading coil	Copper

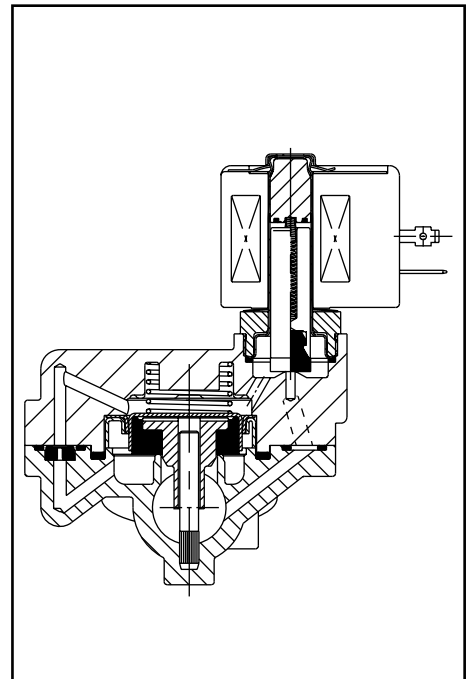
### ELECTRICAL CHARACTERISTICS

Coil insulation class F  
Connector Spade plug (cable Ø 6-10 mm)  
Connector specification ISO 4400 / EN 175301/803, form A  
Electrical safety IEC 335  
Anti waterhammer test EN 60730-2-8  
Standard voltages DC (=) : 24V  
(Other voltages and 60 Hz on request) AC (~) : 24V - 115V - 230V / 50 Hz

coil type	power ratings				ambient temperature range (TS) (°C)	protection
	inrush ~ (VA)	holding		hot/cold = (W)		
		(VA)	(W)			
CM6-FT CMXX-FT	34,0 -	15,6 -	6,0 -	- 9 / 11,2	-20 to +75	moulded IP65

### SPECIFICATIONS

pipe size	orifice size	flow coefficient Kv		operating pressure differential (bar)						coil type		catalogue number
				min.	maximum (PS)							
					water (*)			oil (*)				
Rp	(mm)	(m <sup>3</sup> /h)	(l/min)	~	=			~	=	~	=	
<b>Brass body, NBR seals and discs</b>												
1/2	16	3,0	50,0	0,35	10	8,5		10	8,5	CM6-FT	CMXX-FT	SCE221.003
3/4	19	4,7	22,1	0,35	10	8,5		10	8,5	CM6-FT	CMXX-FT	SCE221.005
1	25	9,8	163	0,35	10	8,5		10	8,5	CM6-FT	CMXX-FT	SCE221.007
1 1/4	28	11	183	0,35	10	8,5		10	8,5	CM6-FT	CMXX-FT	SCE221.009
1 1/2	32	21	350	0,35	10	8,5		10	8,5	CM6-FT	CMXX-FT	SCE221.011
2	44	31	517	0,35	10	8,5		10	8,5	CM6-FT	CMXX-FT	SCE221.013
<b>Brass body, EPDM seals and discs</b>												
1/2	16	3,0	50,0	0,35	10	8,5		-	-	CM6-FT	CMXX-FT	SCE221.003E
3/4	19	4,7	22,1	0,35	10	8,5		-	-	CM6-FT	CMXX-FT	SCE221.005E
1	25	9,8	163	0,35	10	8,5		-	-	CM6-FT	CMXX-FT	SCE221.007E
11/4	28	11	183	0,35	10	8,5		-	-	CM6-FT	CMXX-FT	SCE221.009E
1 1/2	32	21	350	0,35	10	8,5		-	-	CM6-FT	CMXX-FT	SCE221.011E
2	44	31	517	0,35	10	8,5		-	-	CM6-FT	CMXX-FT	SCE221.013E



### OPTIONS

- Waterproof enclosure with embedded screw terminal coil and Pg 13,5 cable gland to meet CEE-10 (IP67)
- Explosionproof enclosures for hazardous locations according to "ATEX/CENELEC" and national standards
- Explosionproof and watertight enclosures according to "NEMA" standards
- Compliance with "UL" and "CSA" standards
- Plug with visual indicator and peak voltage or suppression with cable length of 2m

### INSTALLATION

- The valves can be mounted in any position without affecting operation
- Pipe connection identifier is: E = Rp (ISO 7/1)
- The third digit in the catalogue number indicates the standard pipe connection
- Other pipe threads are available on request
- Installation/maintenance instructions are included with each valve
- Spare Parts Kit and replacement coils are available

### DIMENSIONS (mm), WEIGHT (kg)

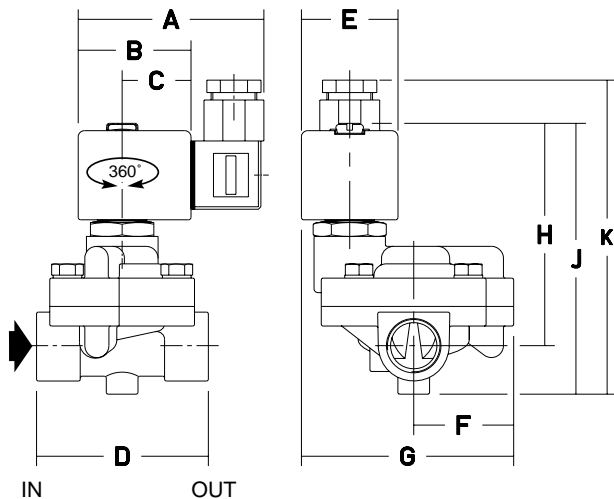


Fig. 1

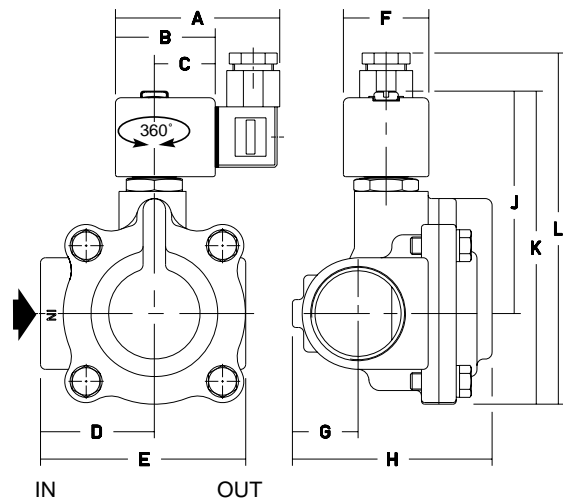


Fig. 2

catalogue number SCE221	A	B	C	D	E	F	G	H	J	K	L	weight (1)	(C)
.003 (.003E) (-)	75	45	27	69	39	40	85	90	109	126	-	1,0	fig. 1
.005 (.005E) (-)	75	45	27	71	39	40	85	90	109	131	-	1,0	fig. 1
.007 (.007E) (-)	75	45	27	52	95	39	25	78	102	143	160	1,8	fig. 2
.009 (.009E) (-)	75	45	27	51	93	39	29	89	102	143	160	2,1	fig. 2
.011 (.011E) (-)	75	45	27	80	141	39	33	104	106	156	173	2,8	fig. 2
.013 (.013E) (-)	75	45	27	75	129	39	38	119	116	186	203	3,9	fig. 2
.003 (.003E) (=)	80	50	30	69	45	40	88	94	113	130	-	1,0	fig. 1
.005 (.005E) (=)	80	50	30	71	45	40	88	94	113	135	-	1,0	fig. 1
.007 (.007E) (=)	80	50	30	52	95	45	25	78	106	147	164	1,8	fig. 2
.009 (.009E) (=)	80	50	30	51	93	45	29	89	106	147	164	2,1	fig. 2
.011 (.011E) (=)	80	50	30	80	141	45	33	104	110	160	177	2,8	fig. 2
.013 (.013E) (=)	80	50	30	75	129	45	38	119	120	190	207	3,9	fig. 2

(1) Incl. coil and connector  
(-) AC only

(C) Construction type  
(=) DC only

All leaflets are available on: [www.ascojoucomatic.com](http://www.ascojoucomatic.com)