



OPERATORS

for potentially explosive atmospheres
flameproof enclosure
II2G Ex d IIB+H2 T6, II2D Ex tD A21 IP67 T85°C
aluminium or stainless steel enclosure



Series
LPKF
WSLPKF

FEATURES

- Explosionproof operator for use in potentially explosive atmospheres according to Directive ATEX 94/9/EC
- Compliance with the Essential Health and Safety Requirements has been assured by compliance with the International and European Standards IEC, ISA and EN: 60079-0, 60079-1, 61241-0 and 61241-1
- Easy electrical installation by means of a screw terminal coil
- Enclosure provided with a 1/2 NPT threaded entry hole for a broad range of cable entries
- Ingress protection degree IP67 - NEMA 4/4X
- A wide range of valves can be supplied with the operator

CONSTRUCTION

Solenoid enclosure	LPKF WSLPKF	Aluminium, cataphoresis black painting Stainless steel (AISI 316L)
Bonnet	LPKF WSLPKF	Stainless steel Stainless steel (AISI 316L)
Cover screws		Stainless steel
Core, core tube and plugnut		Stainless steel
Nameplate		Stainless steel
Coil connection		Embedded screw terminals
Safety code		II2G Ex d IIB+H2 T6 II2D Ex tD A21 IP67 T85°C



ELECTRICAL CHARACTERISTICS

Standard voltages DC (=) : 24V

TEMPERATURE CLASSIFICATION TABLES

DC (=) solenoids

Pn (watt)	solenoid size		maximum ambient °C ⁽¹⁾			
	M6		surface temperature			
T6			T5	T4	T3	
			85°C	100°C	135°C	200°C
insulation class F (155°C) 100% E.D.						
0,5		●	60	-	-	-

Check the wattage compatibility with the product selected.

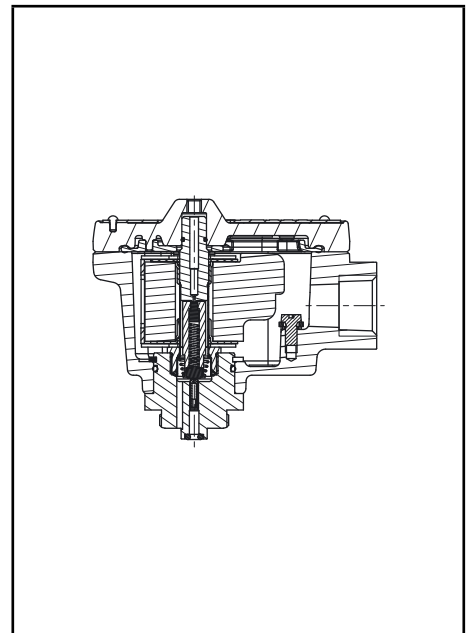
⁽¹⁾ The minimum allowable ambient temperature is -40°C for the operator. Actual temperature range can be limited depending on valve operation limits.

CONNECTIONS

- Any IECEx-ATEX approved cable entry device can be fitted in the 1/2" NPT threaded entry hole
- Internal and external earthing connection
- The operator can be rotated through 360° to select the most favourable position for cable entry

OPTIONS

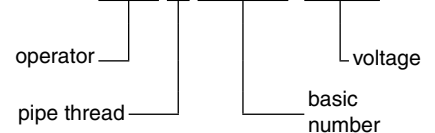
- Brass nickel plated cable gland

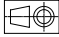


ORDERING INFORMATION

A valve supplied with the explosionproof operator will be identified with prefix LPKF or WSLPKF before the catalogue number.

Example: **LPKF** G 551B305 24V/DC

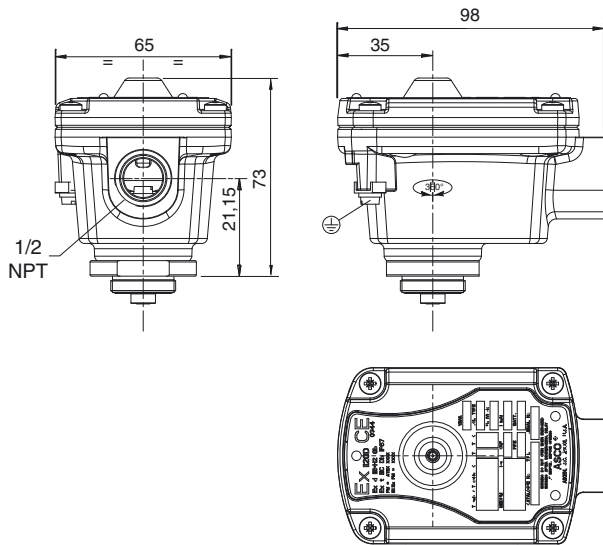


DIMENSIONS (mm), WEIGHT (kg) 



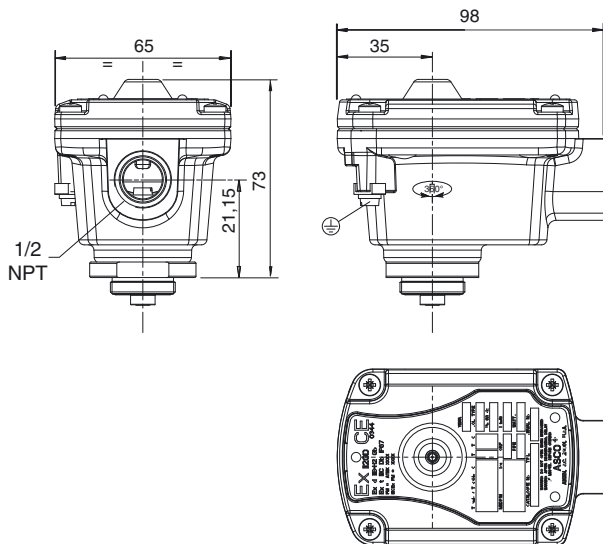
TYPE LPKF

Prefix "LPKF" Solenoid
Aluminium, epoxy coated
IEC, ISA, EN: 60079-1, 61241-1
II2G Ex d IIB+H2 T6 - II2D Ex tD A21 IP67 T85°C



TYPE WSLPKF

Prefix "WSLPKF" Solenoid
Stainless steel, epoxy coated
IEC, ISA, EN: 60079-1, 61241-1
II2G Ex d IIB+H2 T6 - II2D Ex tD A21 IP67 T85°C



prefix	weight
LPKF	0,55
WSLPKF	1,16