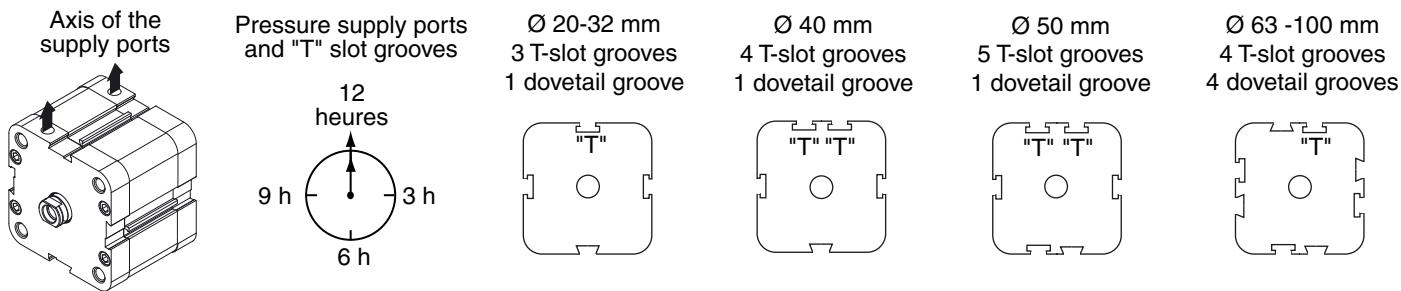
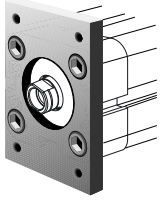
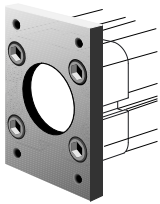
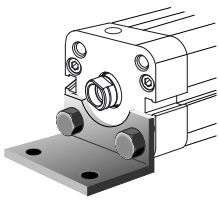
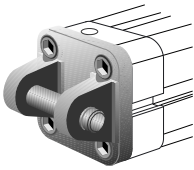
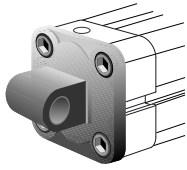
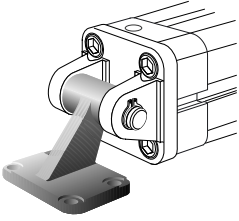
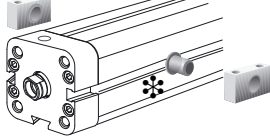
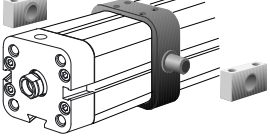
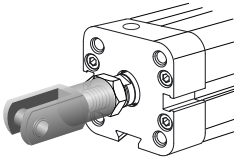
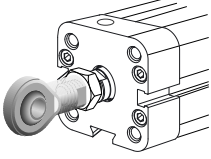
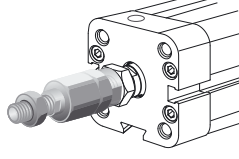


POSITION OF GROOVES



RANGE OF STANDARD MOUNTINGS (see page P226-8)

 <p>MF1 Front flange</p>	 <p>MF2 Rear flange</p>	 <p>MS1 Feet</p>	 <p>MP2 Cap, detachable clevis, or with spherical eye</p>	 <p>MP4 Cap, detachable eye, or with spherical eye</p>
 <p>AB3 Angular clevis bracket, or with spherical eye</p>	<p>type A</p>  <p>type B</p>  <p>MT4 Centre trunnion</p>	<p>AT4 Trunnion supports</p>	 <p>AP2 Female rod clevis</p>	 <p>AP6 Spherical bearing</p>
 <p>Alignment compensator</p>				

* European patent n° 06 291 828.9