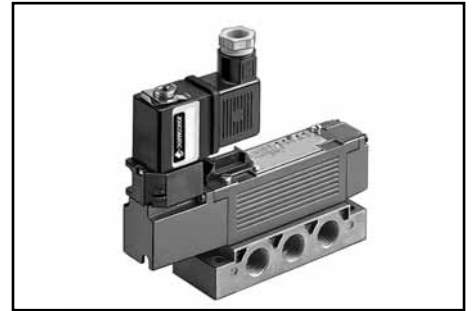


**GENERAL**

FLUID : Air or neutral gas, filtered lubricated or not  
 PRESSURE : 4 to 10 bar (1)  
 PILOT PRESSURE : see table  
 TEMPERATURE : - 10°C to + 40°C  
 FLOW (Qv at 6 bar) : 280 l/min (ANR) - (KV : 4)

**CONSTRUCTION**

Body and end covers zinc diecasting  
 Sealing nitrile (NBR)  
 Internal parts : acetal, light alloy, zinc diecasting.



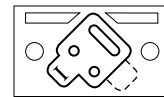
**ELECTRICAL CHARACTERISTICS**

Type of sol. valve		Voltages	Consumption		Insulation class	Protection degree	Electrical connection
			Inrush	Hold			
Series 189	~	24V - 48V - 115V - 230V / 50 Hz	6VA	3,5VA(2,5W)	F	IP 65	spade plug size 22 connector, DIN 43650, 11 mm, industry standard B, rotatable by 180°
	=	24V - 48V	2,5W				

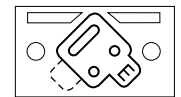
**SPECIFICATIONS**

Symbols	Operators		Pipe size	Orifice size (mm)	Response time (m/s)		Pilot pressure (bar)		2 catalogue numbers		Manual operator Maintained
	Pilot (14)	Return (12)			ON	OFF	min.	max.	VALVE	Quantity and cat.no + SOLENOID PILOT Series 189 (~/=)	
	Solenoid air	Spring	G1/8	4	20	50	2,5	10	54090001	+ 1 x 18900001	●
	Solenoid air	Differential	G1/8	4	25	40	4	10	54090002	+ 1 x 18900001	●
	Solenoid air	Air	G1/8	4	15	-	2	10	54090003	+ 1 x 18900001	●
	Solenoid air	Solenoid differential	G1/8	4	15	-	4	10	54090004	+ 2 x 18900001	●
	Solenoid air	Solenoid air	G1/8	4	15	-	2	10	54090005	+ 2 x 18900001	●

The valve is fitted with pilot seal which mean that the valve can be adapted to :  
 Internal supply (mark I) or external supply (mark E).  
 The valves are always delivered in the internal supply position (seals in position I).  
 (1) External supply enables these valves to be used with fluid pressures 0 to 12 bar.



Internal supply (I)



External supply (E)

**SUBBASES**

DESCRIPTION		PORTS		catalogue number
		Type	Pipe size	
Single subbase *	Subbase	Side ports	G 1/8	35500049
	Subbase	Side ports with rotatable fittings	For flexible tube ø 6 mm OD	35900022
Joinable subbases *** with bottom ports	Subbase	Bottom ports - ports 2-4-12-14 (ports 1-3-5 : side ports G 1/4)	G 1/8	35500052
	End Subbase	Bottom ports	G 1/8	35500051
Joinable subbases *** with side ports	Subbase	Side ports (ports 1-3-5 : G 1/4)	G 1/8	35500106
	End Subbase	Side ports	G 1/8	35500107
	Mounting set of 2 plates for joinable subbases with side ports			88135505

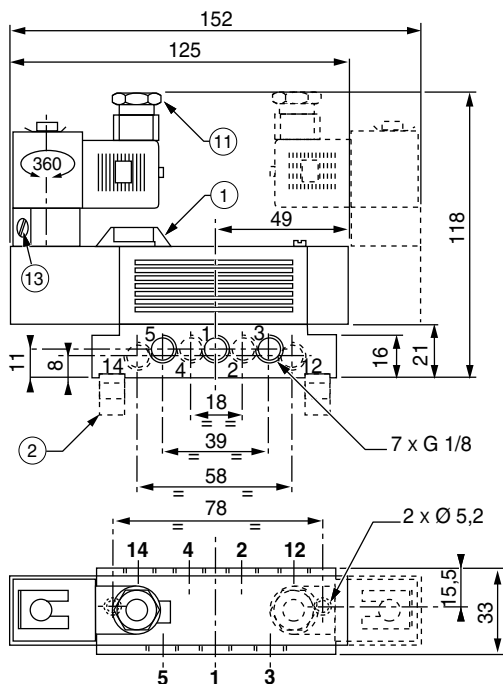
\* Subbase can be mounted on EN 50022 - rail using 2 clips (10 clips cat no. 33400043).

\*\*\* An assembly of "n" valves on a manifold requires "n-1" joinable subbase plug one end (blanking function).

### VALVE ON SINGLE SUBBASE G 1/8

Subbase : cat no. **35500049**

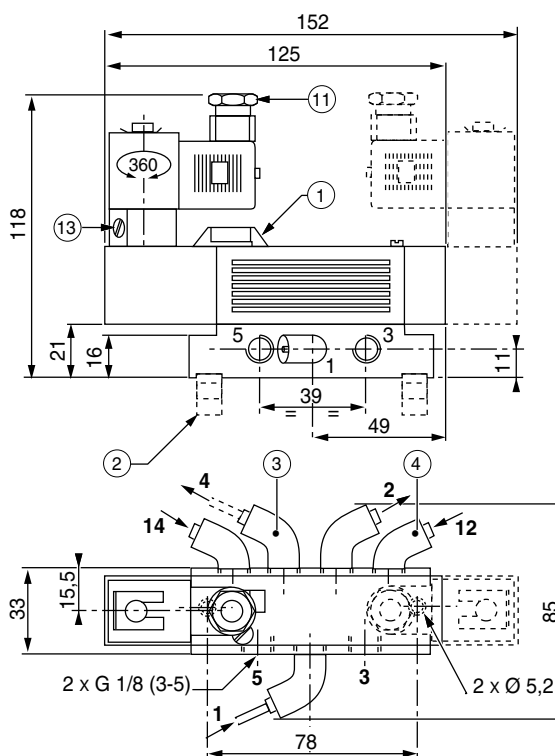
Weight : 0,700 kg



### VALVE ON A SINGLE SUBBASE FOR INSTANT FITTINGS

Subbase : cat no. **35900022**

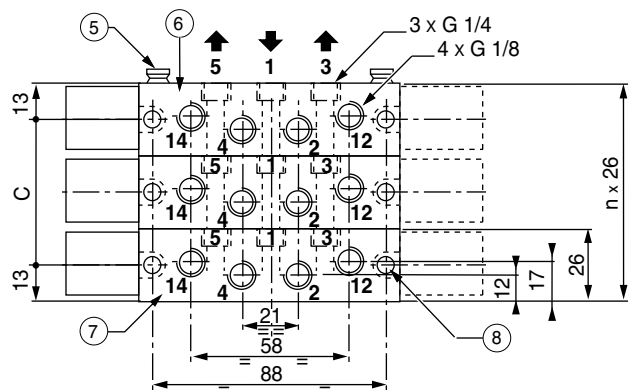
Weight : 0,700 kg



### VALVE ON JOINABLE SUBBASE

BOTTOM PORTS G 1/8 : **35500051 - 35500052**

Weight valve on subbase : 0,700 kg. Each



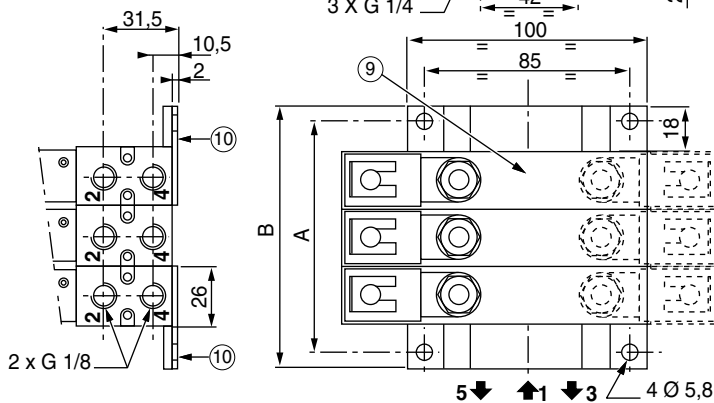
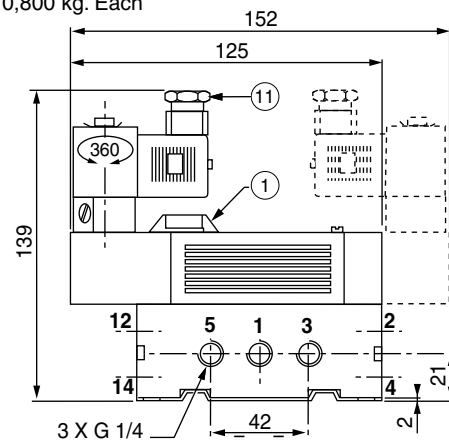
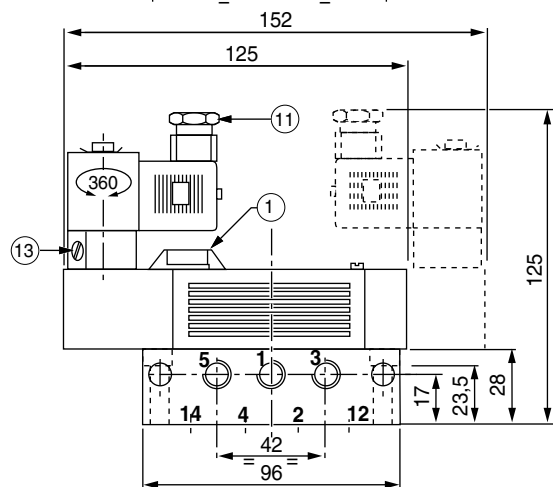
### VALVE ON JOINABLE SUBBASE

SIDE PORTS G 1/8 : **35500106 - 35500107**

Weight valve on subbase : 0,800 kg. Each

n : number of subbases

Nb	A	B	C
2	72	87	26
3	98	113	52
4	124	139	78
5	150	165	104
6	176	191	130
7	202	217	156
8	228	243	182



① Manual override and position indicator

② 2 mounting clips for rail EN 50022

③ 3 instant fittings for flexible tube Ø 6 mm OD (1-2-4)

④ 2 instant fittings for flexible tube Ø 4 mm OD (12-14)

⑤ Joining units

⑥ Joinable subbase cat no.: **35500052**

⑦ End subbase (blanking function) cat no.: **35500051**

⑧ Mounting 2 holes Ø 4,5 depth 23,5

⑨ End subbase (blanking function) cat no.: **35500107**

⑩ Plates of mounting

⑪ Connector rotatable by 180°

⑬ Manual override