

FEATURES

This product can be fitted into control panels. It comprises joinable subbases fitted with modules of electrical and pneumatic connections for the solenoid / air operated, monostable or bistable valves of the series 520.

GENERAL

Fluid Air or neutral gas, filtered, lubricated or not
Operating pressure 1,5 to 8 bar
Ambient temperature +5°C to +50°C
Orifice size 4 mm
Flow (Qv at 6 bar) 3/2 400 l/min (ANR) - Kv : 5,7
 5/2 - 5/3 600 l/min (ANR) - Kv : 8,5

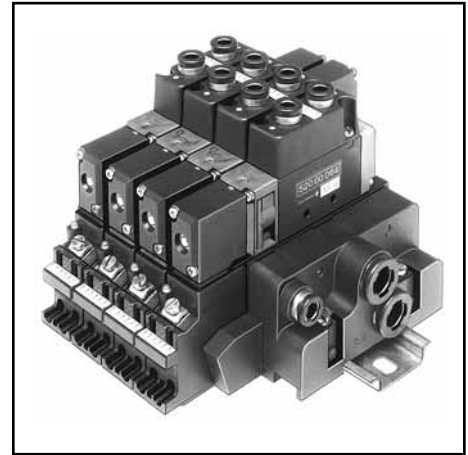
CONSTRUCTION

SPOOL VALVES

Body, cover POM (polyacetal)
Internal parts POM (polyacetal) and brass
Seals NBR (nitrile)
Manual operator Maintained, impulse
 Latchable in hold position (push-turn)

PILOT

Seals NBR (nitrile)
Electrical equipment Conforming to NF C79300 standard
Coil and iron circuit Encapsulated
Coil with 3 pins directed towards ports 1 and 3



ELECTRICAL CHARACTERISTICS

| voltages | | consumption | insulation class | protection degree | electrical connection |
|----------|---------------------------|--------------|------------------|-------------------|---|
| ~ | 24V, 115V, 230V - 50/60Hz | 2 VA (1,5 W) | F | IP 65 | subbase with integrated connections. screw terminals. max. power : wire of section 0.75 mm ² |
| = | 24V | 1,6 W | | | |

SPECIFICATIONS

| function symbol | operators solenoid air operated pilot (14) return (12) | connections (ports 2 - 4) | catalogue number | | | |
|-------------------|---|------------------------------|---|---|---|---|
| | | | 24V ~ | 115V ~ | 230V ~ | 24V = |
| 3/2 NC | differential return | instant fittings | 52000283 | 52000284 | 52000285 | 52000183 |
| | | tapped G 1/8 | 52000274 | 52000275 | 52000276 | 52000226 |
| 5/2 | spring return | instant fittings (1) | 52000389 + 88135532 | 52000390 + 88135532 | 52000391 + 88135532 | 52000381 + 88135532 |
| | | tapped G 1/8 | 52000389 | 52000390 | 52000391 | 52000381 |
| | differential return | instant fittings (1) | 52000062 + 88135532 | 52000064 + 88135532 | 52000065 + 88135532 | 52000063 + 88135532 |
| | | tapped G 1/8 | 52000062 | 52000064 | 52000065 | 52000063 |
| | solenoid air return | instant fittings (1) | 52000067 + 88135532 | 52000068 + 88135532 | 52000069 + 88135532 | 52000066 + 88135532 |
| | | tapped G 1/8 | 52000067 | 52000068 | 52000069 | 52000066 |

(1) In your order of 520 **5/2 with instant fittings**, please specify quantity and code of tapped version + quantity and code of pneumatic connection flange, code : **88135532**

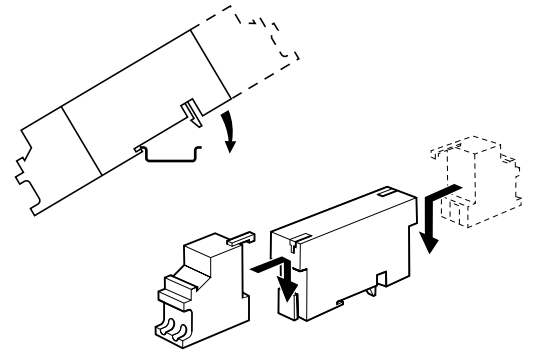
Possibility to mounting other spool valves :

- **3/2 NO** version (operating pressure 2,5 to 8 bar) on request
- **5/3** version, consult us

SUBBASES : see overleaf.

MODULAR CONSTRUCTION AND RAPID INSTALLATION

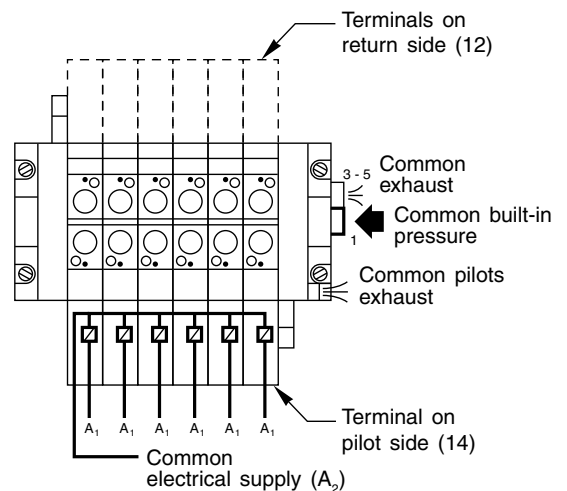
- **Modularity of assembly :** The subbases connect together to build up a compact assembly with a width of each base standardised at 19 mm.
The assembly can be fitted on to symetrical rail 35 x 15 to EN 50022-DIN.
Each subbase includes adjustable modules of electrical connections (on sides 12, 14) in order to connect directly solenoid valves and the built-in common electrical supply.
Joinable subbases also include the inter-connections of the common pneumatic piping : pressure supply (1), exhausts (3, 5) and pilots exhaust.
- **Modularity of functions :** The equipment can be equipped with either solenoid or air operated, monostable or bistable valves.



SIMPLIFIED CONNECTIONS

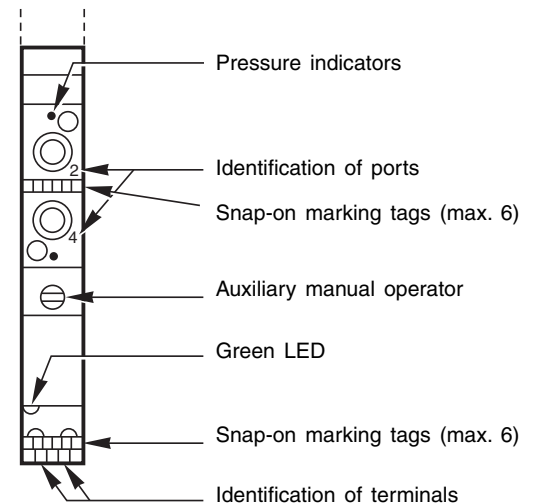
No auxiliary electrical accessory nor any pneumatic connection is required.

- **Electrical connections :**
 - 1 wire to connect for each interface.
 - 1 built-in common supply.
 - 1 earth connection.
- **Pneumatic connections :**
 - All the ports are fitted with instant fittings for flexible tubes.
 - 1 common pressure port and one common exhaust port (3, 5) built-in which can be piped to either the left or to the right hand side.
 - 2 tubes to connect on ports (2, 4) either with instant fitting flanges or directly on tapped G 1/8.
 - 1 common exhaust of pilots 12, 14.



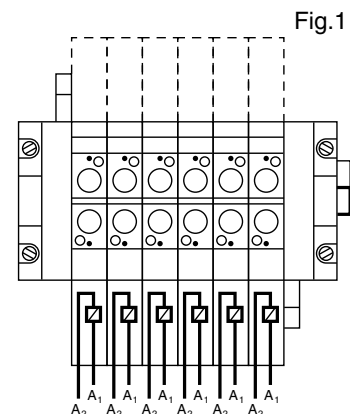
REDUCED MAINTENANCE AND SIMPLE FAULT FINDING

- Visual indication of the electrical input by LED with built-in protection by varistor.
- Pressure indicator of the pneumatic output on ports (2, 4), allowing simple fault diagnostic.
- Auxiliary manual override easily accessible on each pilot. This impulse model is latchable (push-turn).
- Marking tags on flanges and module.
- Identification of the electrical terminals.
- Identification of the pneumatic ports.
- Standard labelling.
- Due to the fact that the subbase has no working components, the valves can be removed from an assembly without affecting the wiring or piping.

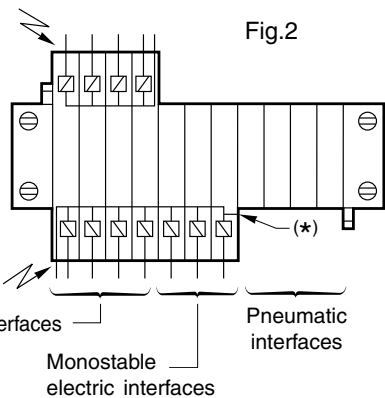
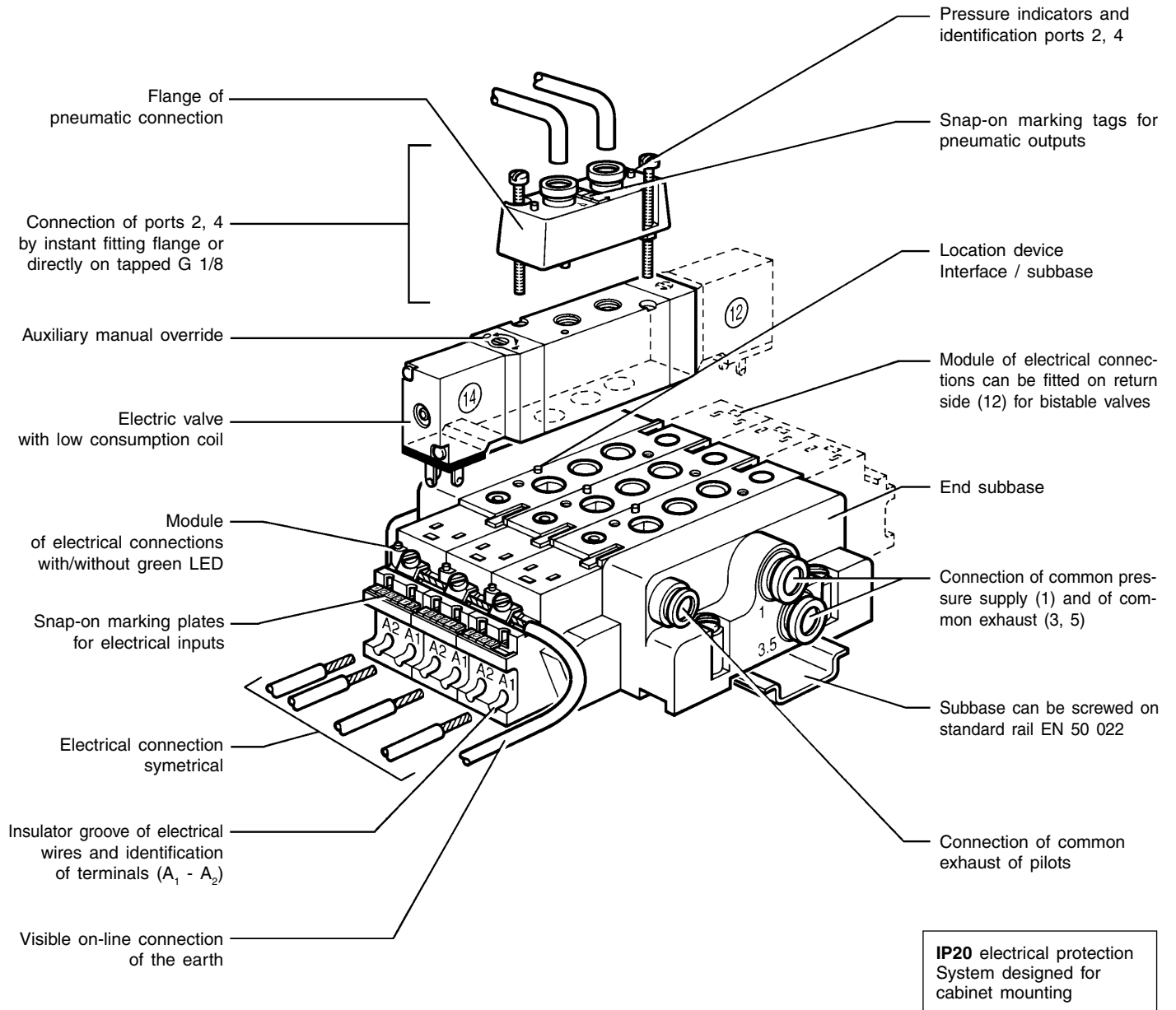


OTHER CONNECTION POSSIBILITIES

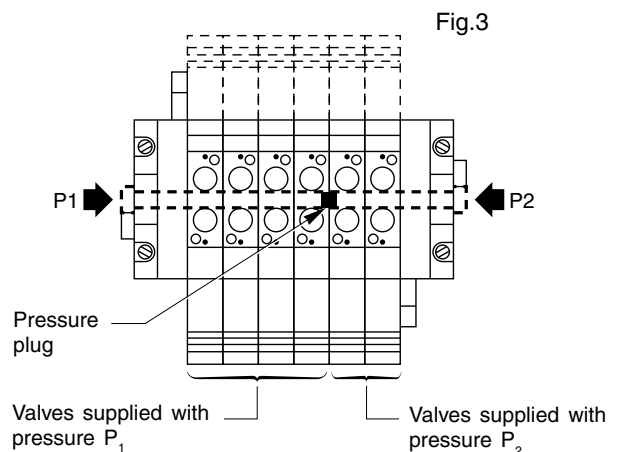
- **Electrical connections :**
 - The integral electrical common supply can be removed by changing the tag so that a different supply voltage can be used on each module (Fig.1).
 - Solenoid or air operated, monostable or bistable valves can be mounted on the same subbase system without affecting the electrical supply common (see Fig. 2).
 - Standard common electrical supply available (with connector(s) size 15).
- **Pneumatic connections :**
 - Different supply pressure can be used by building in a separate plug 88135515 into the assembly.
 - Using 3 plugs within the common built-in pressure supply together with the 2 exhaust pipes allows isolation of 2 side by side valves.
 - Mounting of valves 5/3 : consult us.



00442GB-2007/R01 Availability, design and specifications are subject to change without notice. All rights reserved.



(*) In this implementation, remove the last tag from the common supply.



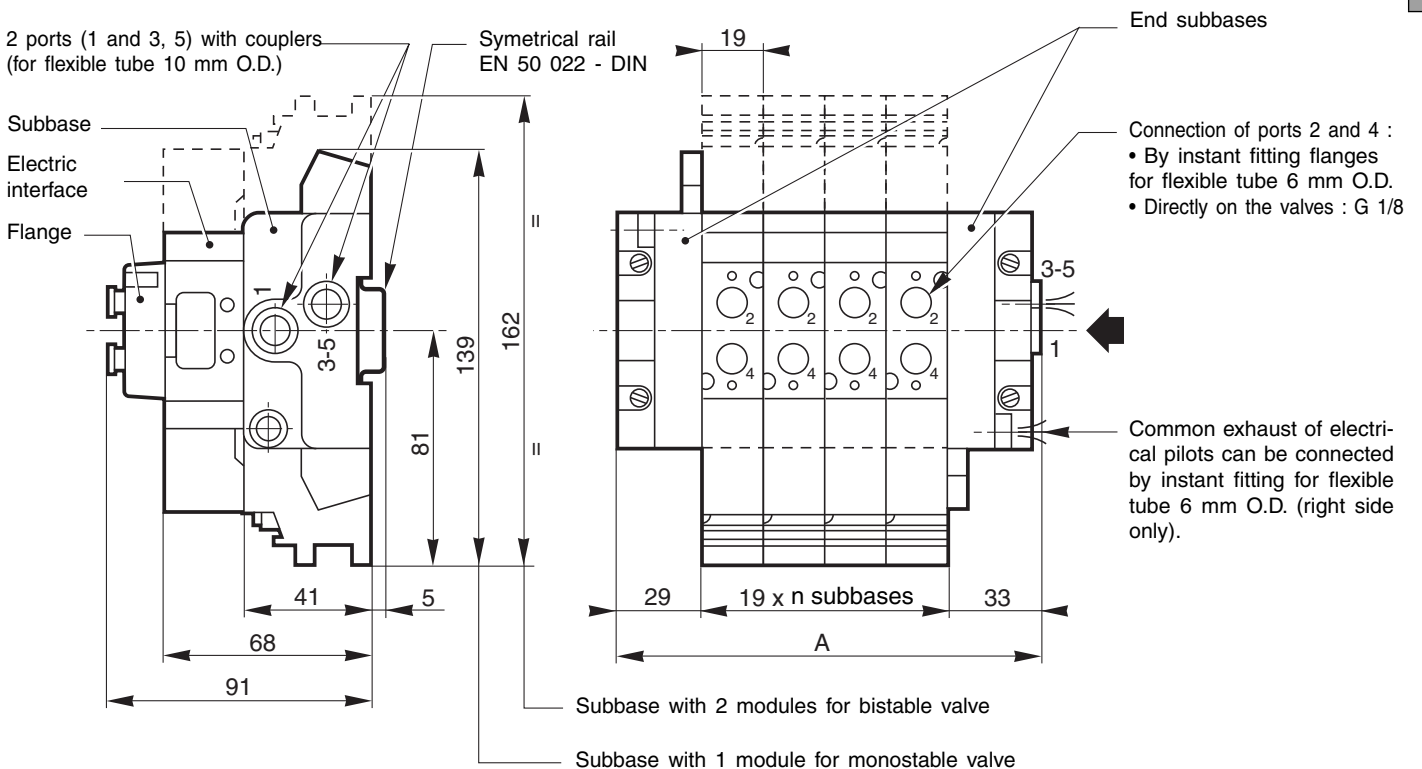
SPECIFICATION SUBBASES AND ACCESSORIES

| description | cat. number |
|--|-------------------------|
| joinable subbase for mini valve series 520 | 35500206 |
| set of two end subbases for one-side connection, with couplers (for 10 mm O.D. tube) | 35500216 |
| set of two end subbases for two-side connection, with couplers (for 10 mm O.D. tube) | 35500209 |
| module of electrical connection with LED and varistor | 24V =/~ 88100077 |
| | 115V~ 88100078 |
| | 230V~ 88100079 |
| module of electrical connection without LED nor varistor | 88100076 |
| connecting flange for ports 2, 4 with pressure indicators and instant fitting (for 6 mm O.D. tube) | 88135532 |
| plug for 2 different pressure inputs on subbases | 88135515 |
| blanking plate for subbase mounting face | 88135516 |
| set of marking tags : | 88100084 |
| numbers 0 to 9, 10 times each | |
| letters A to Z, 10 times each | |
| marks + and —, 10 times each | |

ASSEMBLY

- Up to 10 interfaces can be mounted with **one side** supply (right side) : use the set of end subbases **35500216**
- Over 10 interfaces, the common pressure supply is on **both sides** : use the set of end subbases **35500209**.
- Max. allowable number of joinable interfaces = 20.
- A maximum number of 5 interfaces can work simultaneously.
- Pressure supply may be connected on either left or right side or on both side ; **2 supplies of different pressures may be connected fitting end subbases 35500209.**

DIMENSIONS (mm), WEIGHT (kg)



| weight | |
|---------------------------------|-------|
| subbase | 0,035 |
| 2 end subbases | 0,190 |
| module of electrical connection | 0,030 |
| monostable valve | 0,095 |
| bistable valve | 0,135 |
| pneumatic connection valve | 0,020 |

| number of subbases | 3 | 4 | 5 | 6 | 7 | 8 | 9 | 10 |
|--------------------|-----|-----|-----|-----|-----|-----|-----|-----|
| A | 119 | 138 | 157 | 176 | 195 | 214 | 233 | 252 |

00442GB-2007/R02 Availability, design and specifications are subject to change without notice. All rights reserved.



