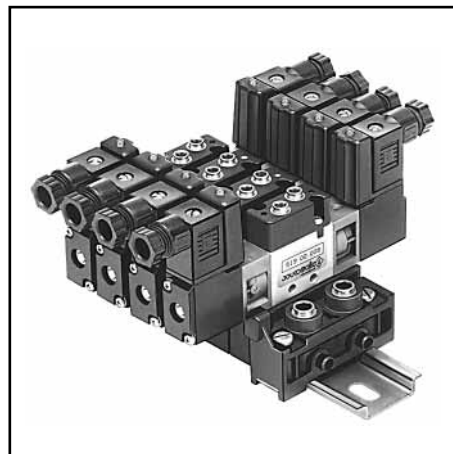


CONSTRUCTION

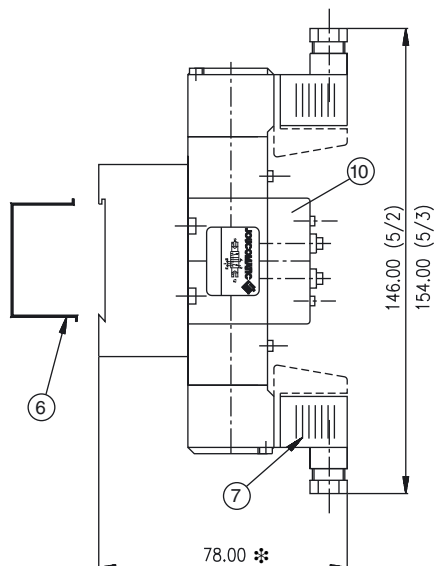
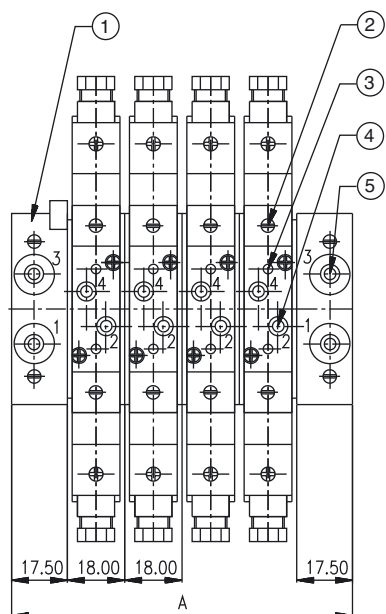
Subbase and flange in glass filled polyamide 6/6 (PA + FG)
Pressure indicator for ports 2 and 4, on flange, in polyether



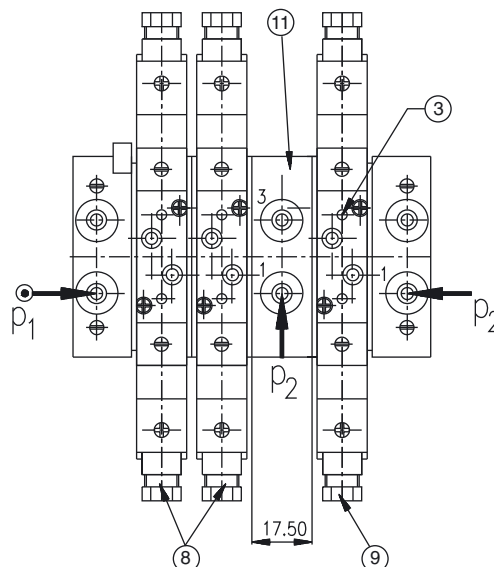
SPECIFICATIONS

description	cat. number
joinable subbase + 1 flange (with instant fittings for tube 4 mm O.D.) + locking screw	35500149
set of 2 ends (with instant fittings for tube 6 mm O.D.)	30400001
intermediate supply module (with instant fittings for 6 mm O.D.)	30400004
flange for ports 2 - 4, with pressure indicators and instant fittings for flexible tube 4 mm O.D.	88135525
blanking plate for base series 519	88135526
visual indicator (LED) and electrical protection (see section "Coils and Accessories")	24V =/~ 88130401 115V~ 88130402 230V~ 88130403

DIMENSIONS (mm)



MOUNTING WITH 2 DIFFERENT PRESSURE SUPPLIES



number of valves	3	4	5	6	7	8
A **	89	107	125	143	161	179

NOTE : Pressure supply (1) and exhaust (3) ports can be connected to the left or to the right side (plug unused port (1))
For pressure supply in P2, plug the port left unused
* + 15 mm for plug removal
** When mounting with an intermediate supply module, add 17.5 mm to dimension A

- ① End plate
- ② Manual operator (Push - Turn)
- ③ Pressure indicator on ports 2 and 4 (on flange)
- ④ Instant fittings for flexible tube 4 mm O.D.
- ⑤ Instant fittings for flexible tube 6 mm O.D.
- ⑥ Symmetrical rail EN 50 022
- ⑦ Connector rotatable x 180°
- ⑧ Valves with pressure supply in P1
- ⑨ Valve(s) with pressure supply in P2
- ⑩ Flange for ports 2 - 4
- ⑪ Intermediate supply module for 2 different pressure supplies