

SPECIFICATIONS

FUNCTION NO										1 = Exhaust 2 = Outlet 3 = Pressure	
De-energized Solenoid valve normally open at rest											
Orifice size (mm)	Flow		Coefficient KV	Allowable differential pressure ΔP (bar)		Manual operator	catalogue number (~/=)				
	at 6 bar l/min (ANR)			min.	max.		Solenoid valve with standard connector	Solenoid valve with coil without connector			
3 → 2 2 → 1	3 → 2 2 → 1		3 → 2 2 → 1								
SOLENOID VALVE WITH EXHAUST TO THE SUBBASE											
2,1	1,9	112	105	1,6	1,5	0	10	× ● ▼ ■	19200013 19200014 19200015 19200071	19200034 19200035 19200036 19200077	
FUNCTION U										Pressure supply by any port	
UNIVERSAL											
Orifice size (mm)	Flow		Coefficient KV	Allowable differential pressure ΔP (bar)		Manual operator	catalogue number (~/=)				
	at 6 bar l/min (ANR)			min.	max.		Solenoid valve with standard connector	Solenoid valve with coil without connector			
1 → 2 2 → 3	1 → 2 2 → 3		1 → 2 2 → 3								
SOLENOID VALVE WITH EXHAUST TO THE SUBBASE											
1,5	1,5	56	63	0,8	0,9	0	10	× ● ▼ ■	19200019 19200020 19200021 19200072	19200037 19200038 19200039 19200078	

Type of manual operator: × : without ● : maintained ▼ : impulse ■ : button

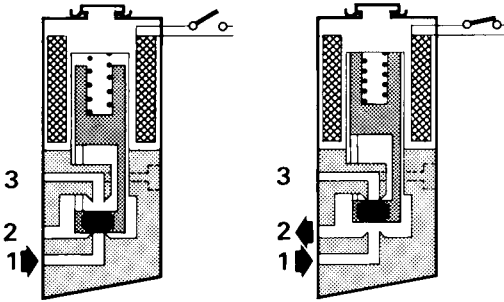
FUNCTIONAL DIAGRAM

FUNCTION NC

Solenoid valve normally closed at rest

De-energized

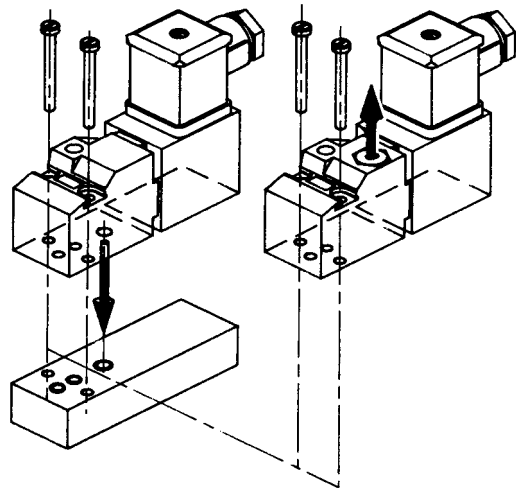
Energized



SELECTION OF THE EXHAUST PORT

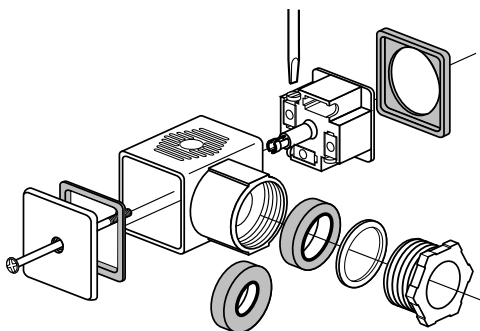
- To the subbase

- To front side (G1/8) equipped with an exhaust plug



CONNECTION TO SIZE 30 CONNECTOR

Easier and faster electrical connection.
Connector delivered with 2 sealing rings
for cable Ø 8 - 10 mm or cable Ø 6 - 8 mm.



Top cover removable so that one can check that the coil is energized without unplugging the connector and hence **without interrupting operation** of the solenoid valve.

SUBBASES

Connection	Type	Composition	catalogue number
With instant fittings	1 single subbase		35300069
	1 joinable subbase		35300070
	Set of 2 juxtaposable end subbases, right-hand pressure intake, ext. Ø 6 mm instant fitting	Plugged endpiece Instant fitting endpiece ext. Ø 6 mm 	35300071
	Set of 2 joinable end subbases, right-hand and/or left-hand pressure intake, ext. Ø 6 mm instant fittings (1)	Plugged endpiece Plug Instant fitting endpiece ext. Ø 6 mm 	35300072
tapped G 1/8	1 single lateral subbase 2 connectable ports		35300047
	1 laterally-connected juxtaposable subbase		35300048
tapped G 1/4	1 single subbase 3 connectable ports	NO NC 	35300049
	1 joinable subbase 3 connectable ports lateral bore Function NF - NO (2)		35300057

These subbases can be directly mounted on symmetrical EN 50022 - AFNOR NF C 63015 standard rail using 2 or more clips (clips sold in packets of 10, cat no. **33400036**).

(1) Equipment can be used for 2 different pressure intakes.

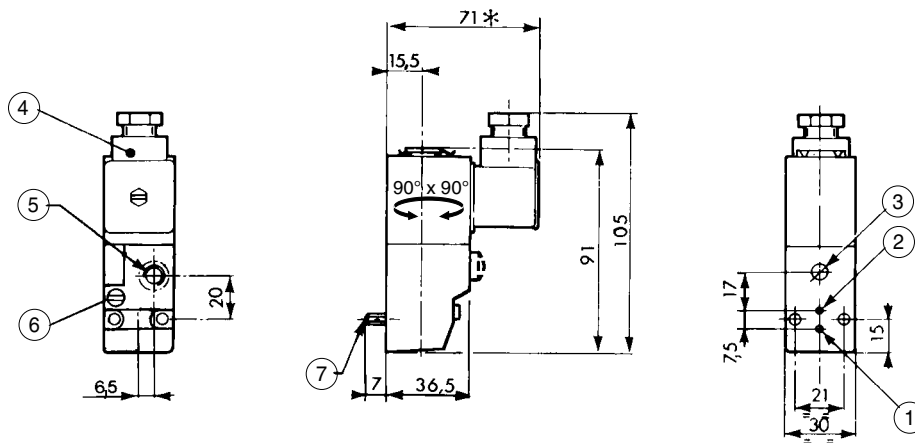
(2) The NC or NO function is obtained by using a specific NC or NO solenoid valve and by reversing position on the subbase.

E

DIMENSIONS AND WEIGHTS

SINGLE MOUNTED SOLENOID VALVE

Weight : 0,270 kg



(*) + 15 mm for plug removal

U : Pressure entry through any port

① Port 1 : Pressure (NC) - Exhaust (NO)

② Port 2 : Outlet

③ Port 3 : Exhaust (NC) - Pressure (NO)

④ Connector rotatable by 90°

⑤ On request : exhaust port G 1/8 with front side protector (NC only)

⑥ Manual operator possible maintained, screw or button

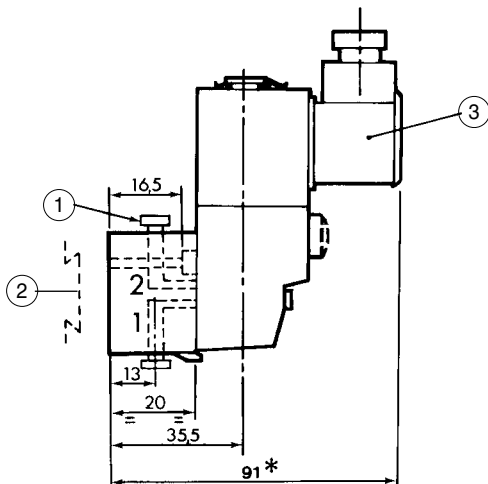
⑦ Secured by screw CM4 x 35

DIMENSIONS AND WEIGHTS

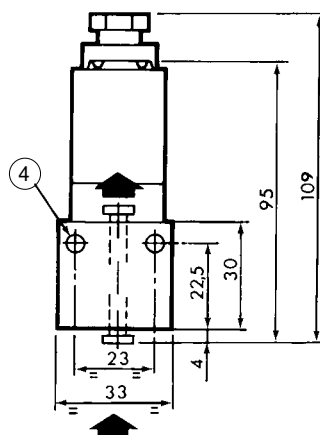
SOLENOID VALVE MOUNTED ON **SINGLE** INSTANT FITTING SUBBASE

Subbase: catalogue number **35300069**

Weight : 0,285 kg



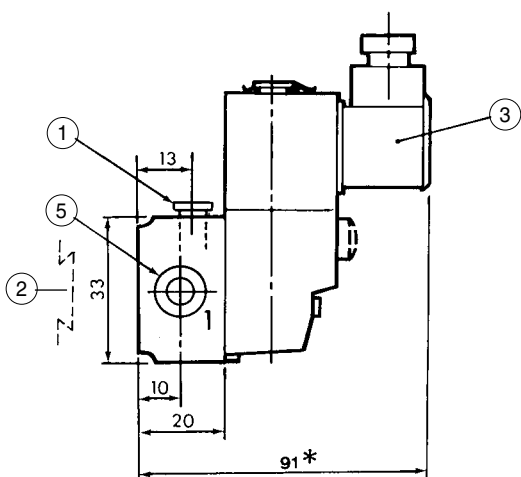
Bottom view



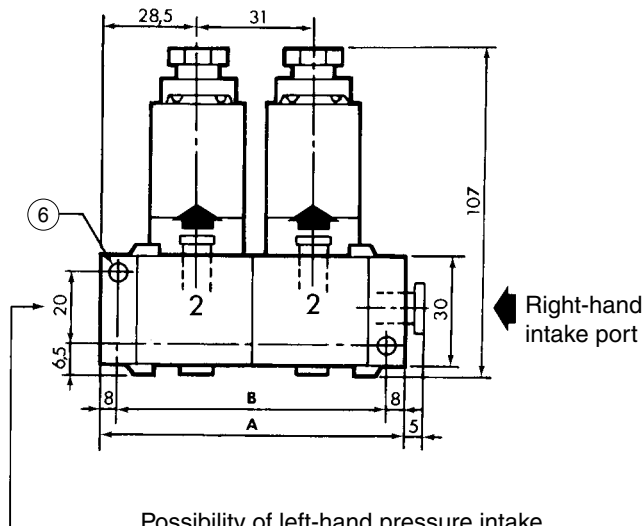
SOLENOID VALVE MOUNTED ON **JOINABLE** INSTANT FITTING SUBBASE

Subbase: catalogue number **35300070**

Subbases with endpieces: catalogue number **35300071**



Bottom view

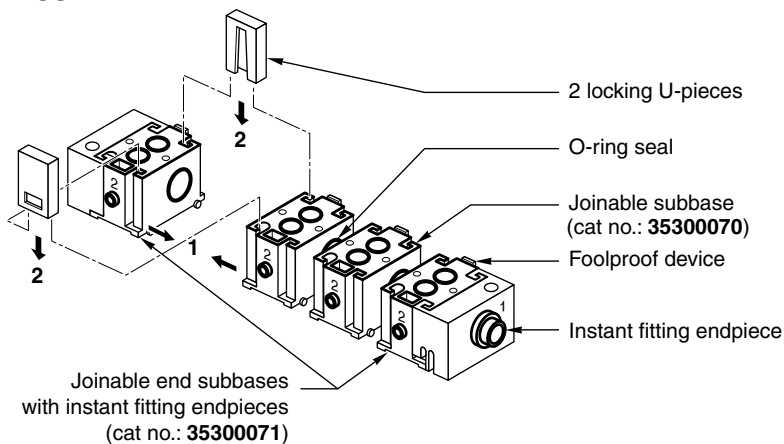


DIMENSION	Number of subbases						
	2	3	4	5	6	7	8
A	88	119	150	181	212	243	274
B	72	103	134	165	196	227	258
Weight (kg) SV + S, base	0,595	0,880	1,165	1,450	1,735	2,020	2,305

Possibility of left-hand pressure intake or 2 different pressure intakes by procuring the set of 2 end subbases cat no.: **35300072**

When mounted on DIN rail, it is recommended to use a securing clip on the end subbases as well as on the central subbase

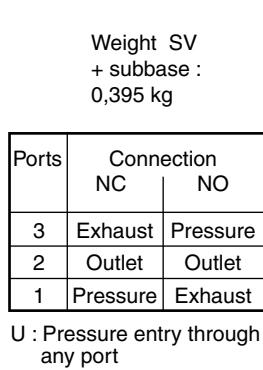
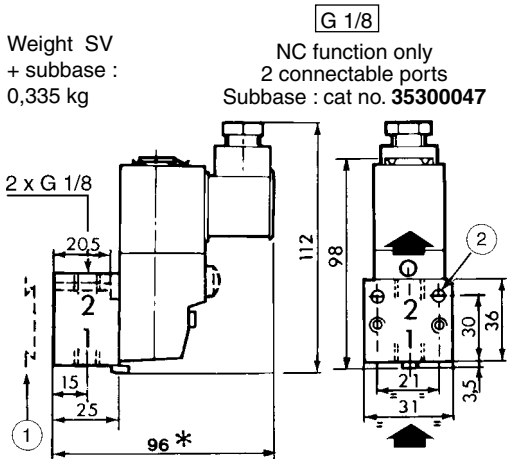
ASSEMBLY



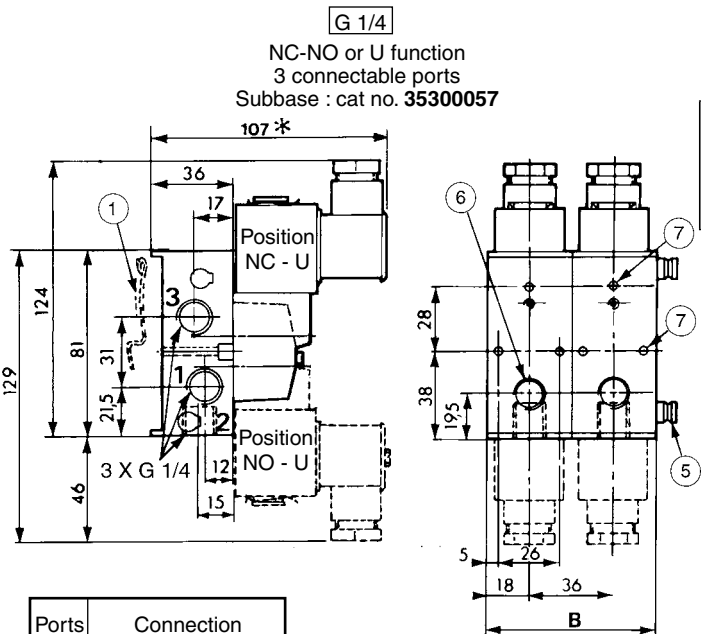
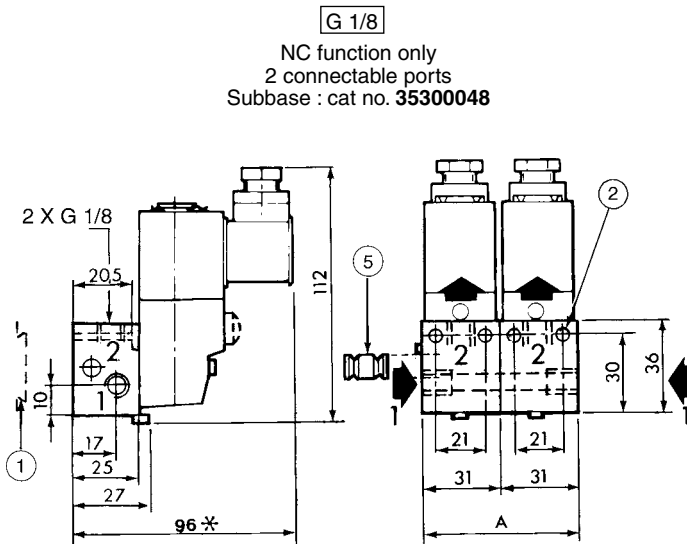
- ① Instant fitting connection for ext. Ø 4mm tube
- ② Adaptable clips
- ③ Connector rotatable by 90°
- ④ 2 Ø 3,5, securing holes Ø 6,5, counterbores depth 3,5
- ⑤ Instant fitting connection for ext. Ø. 6mm tube
- ⑥ 2 Ø 4,5 securing holes
- (*) + 15 mm for connector clearance

DIMENSIONS AND WEIGHTS

SOLENOID VALVE MOUNTED ON **SINGLE** SUBBASE



SOLENOID VALVE MOUNTED ON **JOINABLE** SUBBASE



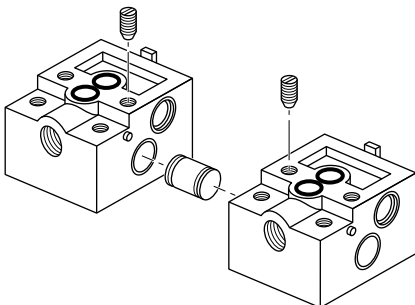
DIMENSION	Number of subbases						
	2	3	4	5	6	7	8
A	62	93	124	155	186	217	248
B	72	108	144	180	216	252	288
Weight (kg)	G 1/8	0,740	1,110	1,480	1,850	2,220	2,590
SV + subbase	G 1/4	0,880	1,320	1,760	2,200	2,640	3,080

Ports	Connection NC-NO ou U
3	Exhaust
2	Outlet
1	Pressure

Subbases delivered with seals, screws and joining units for complete assembly.

ASSEMBLY

Joinable subbases put together by joining units locked by sunken set screws.



When mounted on DIN rails, it is recommended to use 1 securing clip on each end subbase as well as on the central subbase.

- ① Adaptable clips
 - ② 2 Ø 4,5 securing holes
 - ③ Non-used port
 - ④ 2 Ø 4,5, securing holes counterbore Ø 8, depth : 6
 - ⑤ Joining unit for putting subbase together. Locked by sunken set screws.
 - ⑥ Port 2 accessible by removing cap
 - ⑦ Securing : 3 Ø 4,5 holes counter-bores : Ø 7,5 depth : 6
- (*) + 15 mm for connector clearance

00422GB-2007/R01 Availability, design and specifications are subject to change without notice. All rights reserved.

