

**SPECIFICATION**

FLUID	: Air filtered, lubricated or not
PORTS	: instant fittings for Ø 4 mm OD tube or G 1/8
PRESSURE	: 0.1 to 8 bar
TEMPERATURE	: -5°C to + 50°C
FLOW (Qv at 6 bar)	: 140 l/min (ANR)
Ø NOMINAL	: 2,5 mm
OPERATING HEADS	: Mechanical
IMPLANTING	: CENELEC EN 50047 CNOMO n° 06.05.35

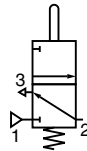
**CONSTRUCTION**

Centre closed poppet valve  
Body diecast  
Internal parts in stainless steel and elastomer  
Built-in exhaust silencer (exhaust port can be piped)  
Instant fittings brass



**CHOICE OF EQUIPMENT**

Operating head		Action	Effort (daN) with 8 bar	CODES		
Type	Operator			Operating head ALONE	Valve body + operating head	
				Instant fittings	Tapped G 1/8	
	Single lever plastic roller	Left and right	1,2	<b>88130801</b> (*)	<b>30800009</b>	<b>30800015</b>
	Single lever bearing roller (CNOMO 06.05.35)	Left and right	1,2	<b>88130802</b> (*)	<b>30800010</b>	<b>30800016</b>
	Adjustable lever with plastic roller	Left and right	0,4 to 1,2	<b>88130803</b> (*)	<b>30800011</b>	<b>30800017</b>
	Adjustable lever with ball bearing roller	Left and right	0,4 to 1,2	<b>88130804</b> (*)	<b>30800012</b>	<b>30800018</b>
	Flexible lever	Left and right	0,3 to 1,2	<b>88130807</b> (*)	<b>30800027</b>	<b>30800030</b>
	Rotating head alone	Left and right	-	-	<b>30800001</b>	<b>30800005</b>



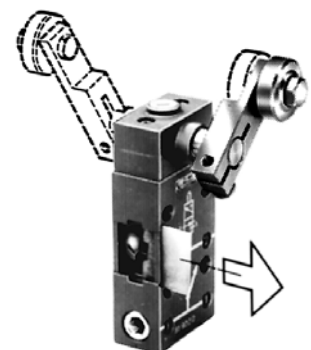
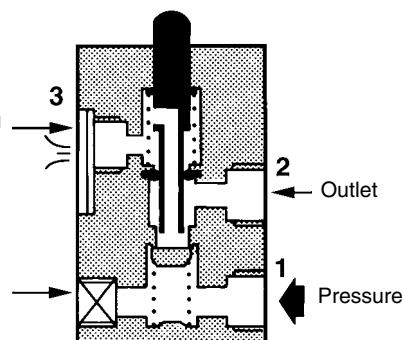
1 = Pressure  
2 = Outlet  
3 = Exhaust

(\*) The different levers are fitted to the valve fitted with a head with a side spindle (code 30800001 or 30800005)

**CONNECTING**

Exhaust  
Flat silencers removable revealing an G 1/8 port.

Alternative pressure port G 1/8 in this case plug port (1).



**G**

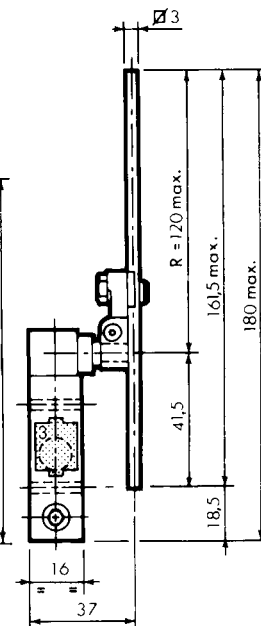
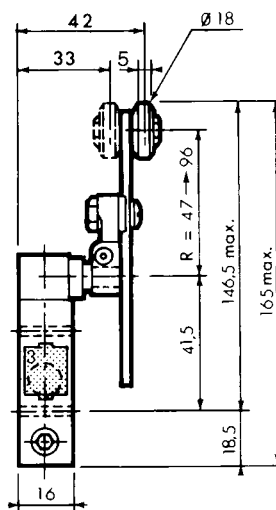
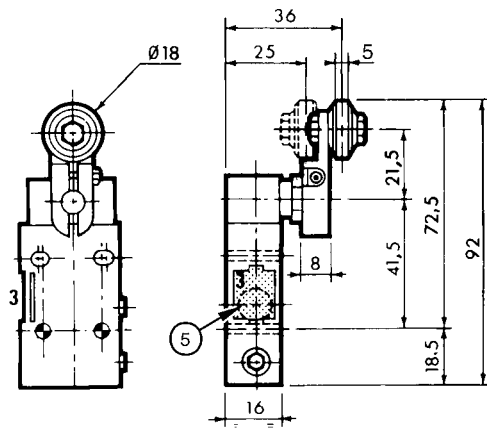
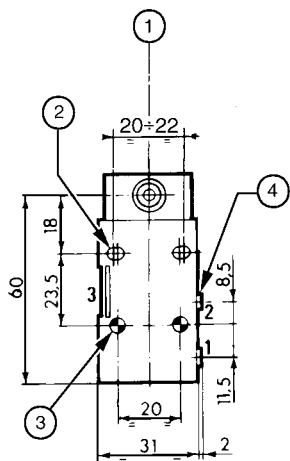
**DIMENSIONS AND WEIGHTS** (Max. weight : 0,200 kg)

Valve with rotating head alone

Single lever  
plastic roller  
or bearing roller

Adjustable lever  
with plastic roller or  
ball bearing roller

Flexible lever



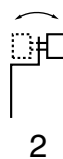
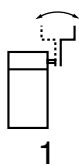
- ① Axe of the levers
- ② CENELEC mounting 2 holes Ø 4.2
- ③ CNOMO mounting 2 holes Ø 5.2
- ④ Instant fittings for tube Ø 4 mm or G 1/8
- ⑤ Exhaust with built-in silencer (can be piped G 1/8)

**MOUNTING : SELECTING CONTROL POSITION**

**Single lever :**

4 possible actions function of:

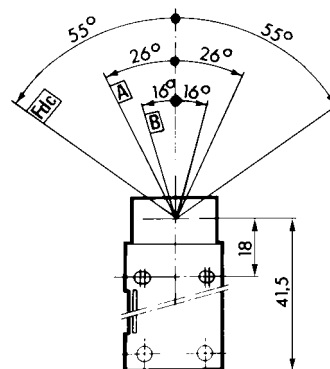
- (1) lever axe in relation to the head
- (2) roller position in relation to the lever



**Upright adjustable lever :**

2 possible mountings, by tilting the lever

**Lever all types  
on rotating head**



- A** Actuation point  
(small flow established)
- B** Release point
- Fdc** End of stroke position