

SPECIFICATION

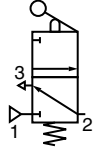
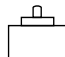
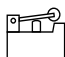
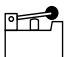
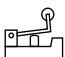
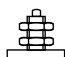
FLUID	: Air filtered, lubricated or not
PORTS	: Instant fittings for flexible tube Ø 4 mm OD
PRESSURE	: 0 to 8 bar
TEMPERATURE	: - 5°C to + 50°C
OPERATORS	: Mechanical
FLOW (Qv at 6 bar)	: 140 l/min (ANR)
Ø NOMINAL	: 2,5 mm

CONSTRUCTION

Spool and poppet design closed centre
Body zinc diecasting
Internal parts in stainless steel and elastomer
Instant fittings in brass
Sealing Nitrile (NBR)
Built-in silencer

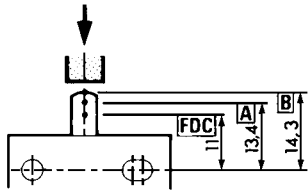


CHOICE OF EQUIPMENT

FUNCTION NC Normally closed		 Mechanical operator	Effort (daN) Supply pressure			1 = Pressure 2 = Outlet 3 = Exhaust (not tapped)
Type	Description		2 bar	5 bar	8 bar	
	Tapped	1	1,7	2,5	30900002	
	Lever roller plastic roller	0,5	0,9	1,3	30900003	
	Lever roller ball bearing roller	0,5	0,9	1,3	30900001	
	1 way trip plastic roller (Life : 1 million cycles)	0,5	0,9	1,3	30900004	
	Push button (*)	1	1,7	2,5	30900006	

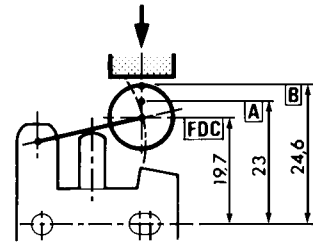
(*) The pilot valve with a threaded head, is equipped with a treated steel stop rig which allows the valve to be used as an end stop (max. force 200 kg, dia. 50 mm cylinder).

MOUNTING



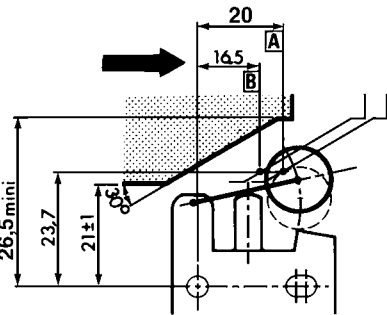
Front Actuation

- A** : Actuating point
(small flow established)
- B** : Release point
- FDC** : End of stroke position

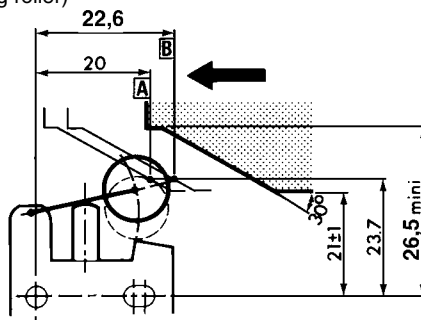


Lever roller

Max. speed :
1 m/s (plastic roller)
0,3 m/s (ball bearing roller)

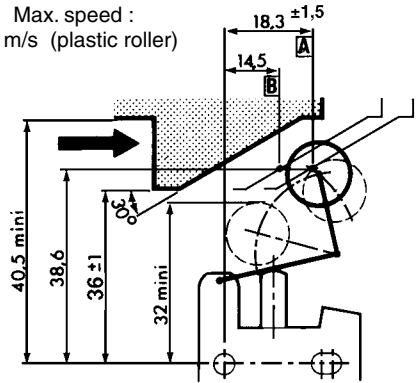


**Side operation
30°**



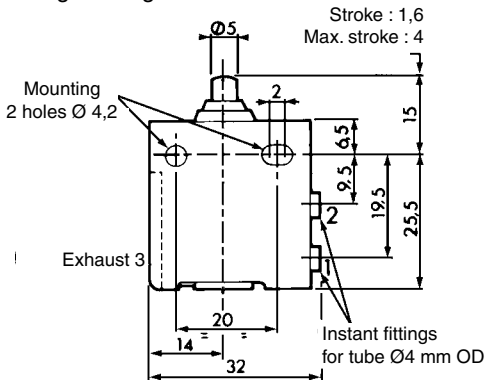
1 way trip plastic roller

Max. speed :
0,5 m/s (plastic roller)

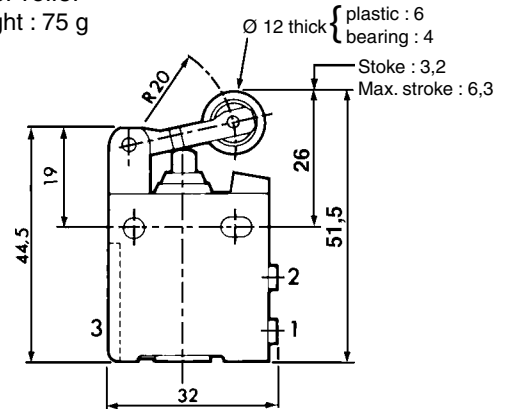


DIMENSIONS AND WEIGHTS

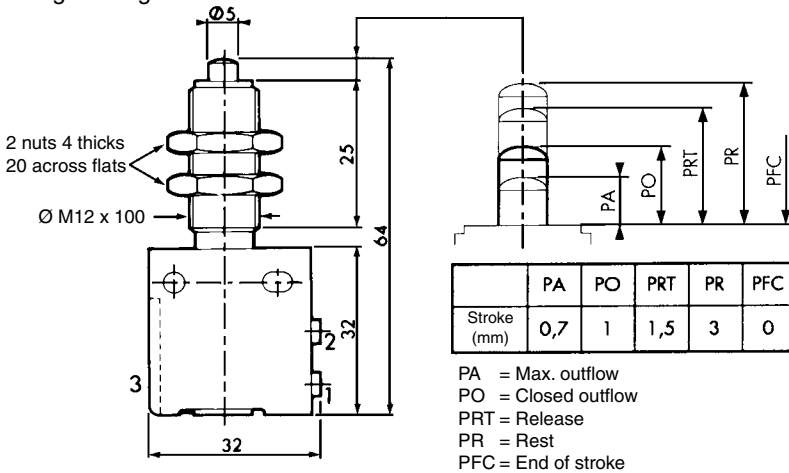
Tapped
Weight : 65 g



Lever roller
Weight : 75 g



Push button
Weight : 80 g



1 way trip plastic roller
Weight : 80 g

