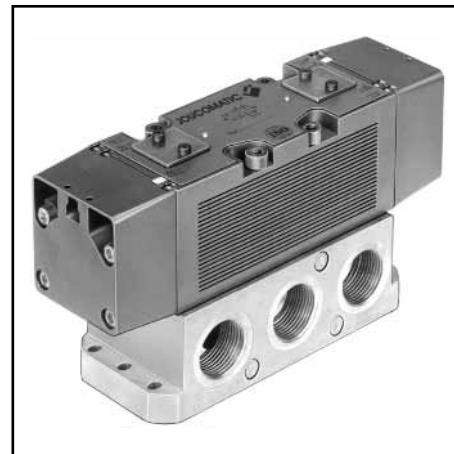




GENERAL

FLUID	: Air or neutral gas, filtered, lubricated or not
PRESSURE	: Can be used with vacuum – 0.950 bar max. – 0.950 to +12 bar +2 to +12 bar (with internal differential return)
PILOT PRESSURE	: See diagram below
AMBIENT TEMPERATURE	: – 10°C, +60°C
FLOW (Qv at 6.3 bar)	: 6300 l/min (ANR) (with subbase G 3/4) 7000 l/min (ANR) (with subbase G 1)
FLOW COEFFICIENTS	: KV = 90 (with subbase G 3/4) KV = 100 (with subbase G 1)
LIFE	: 5 millions of cycles (in normal operating conditions)
BASE	: ISO 5599/1- Size 4
PORT	: By subbases G 3/4 - G 1
SUBBASES	: Single subbase ISO/AFNOR NF E49085



1 = Pressure	12 = Return
2-4 = Outlets	14 = Pilot
3-5 = Exhausts	

CONSTRUCTION

Body and cover : zinc diecast
Sealing : nitrile (NBR)
Internal parts : acetal (POM), light alloy, zinc diecast
Multifunction pilot by selector seal (see page P570-36)

SPECIFICATIONS

function symbol	operators	pressure of pilot fluid (bar)		catalogue number		
		pilot(14)	return (12)		min.	max.
	air operated		spring return	2,5	12	54400001
	air operated		differential return	2	12	54400002
	air operated		air return	1,5	12	54400003
	air operated - pressure held W1			2,5	12	54400007
	air operated - pressure release W3			2,5	12	54400008

OPTIONS

- Equipment with manual testers so that the spool position can be checked

SUBBASES

Type of subbases	subbases cat.no.	Port orifices		
		12-14	1-2-4	3-5
Single with side port	35500144	G 1/8	G 3/4	G 3/4
	35500082	G 1/8	G 1	G 1

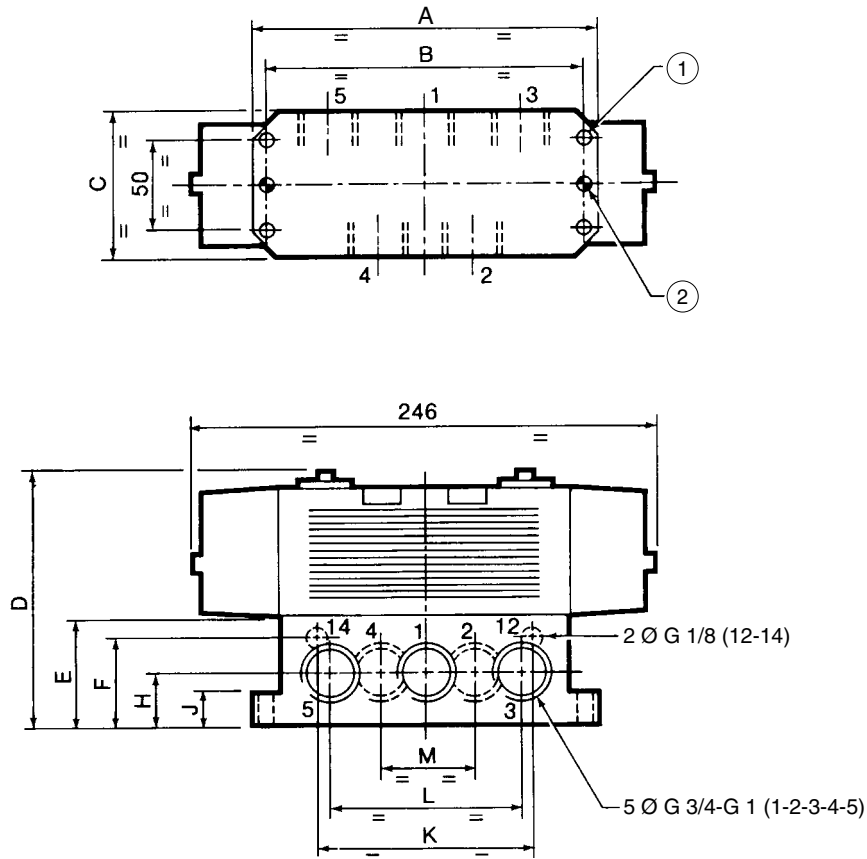
00392GB-2008/R01 Availability, design and specifications are subject to change without notice. All rights reserved.

D

DIMENSIONS AND WEIGHTS

ISO size 4

VALVE ON **SINGLE SUBBASE**
WITH SIDE PORT



- ① Subbase mounting G 1 : 4 holes Ø 7
- ② Subbase mounting G 3/4 : 2 holes Ø 9

Subbases cat.no.	Port orifices			DIMENSIONS (mm)											Weights (kg)
	12-14	1-2-4	3-5	A	B	C	D	E	F	H	J	K	L	M	
35500144	G 1/8	G 3/4	G 3/4	195	177	85,5	120	42	32	22	19	116	88	40	4,600
35500082	G 1/8	G 1	G 1	186	172	80	138	60	47	30	18	116	106	50	4,700