

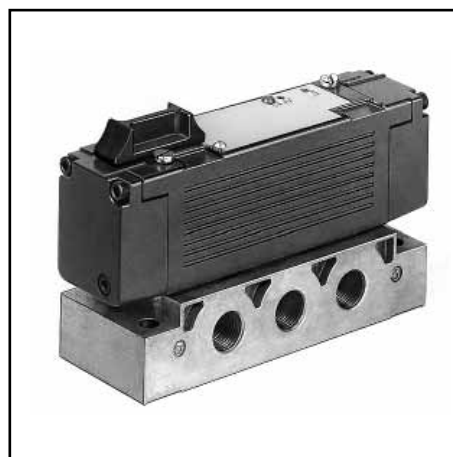
GENERAL

FLUID : Air or neutral gas, filtered lubricated or not
 PORTS : subbase G 1/8 or flexible tube Ø 6 OD
 PRESSURE : 0 to 12 bar
 PILOT PRESSURE : see table below
 TEMPERATURE : - 10 °C to + 60 °C
 FLOW (Qv at 6 bar) : 280 l/min (ANR) - Kv : 4

CONSTRUCTION

Body and end covers zinc diecasting
 Sealing nitrile (NRB)
 Internal parts : acetal, light alloy, zinc diecasting

1 : Pressure
 2,4 : Outlets
 3,5 : Exhausts
 12 : Return
 14 : Pilot



SPECIFICATIONS

Symbol Fonction	Operators		Pipe size	Orifice size (mm)	Flow		Pilot pressure (bar)		catalogue number
	Pilot (14)	Return (12)			at 6 bar l/min (ANR)	coef. KV	min.	max.	
	Air	Spring	G 1/8	4	280	4	2,5	12	54000048
	Air	Differential	G 1/8	4	280	4	4	12	54000049
	Air	Air	G 1/8	4	280	4	2	12	54000050

SUBBASES

DESCRIPTION	port connection		Pipe size	catalogue number
	Type			
Single subbase (1)	subbase	Side ports	G 1/8	35500049
	subbase	Side ports with rotatable fittings	For flexible tube Ø 6 mm OD	35900022
Joinable subbases (2) with bottom ports	subbase	Bottom ports ports 2-4-12-14 (port. 1-3-5 : side ports G 1/4)	G 1/8	35500052
	End subbase	Bottom ports	G 1/8	35500051
Joinable subbases (2) with side ports	subbase	Side ports (ports 1-3-5 : G 1/4)	G 1/8	35500106
	End subbase	Side ports	G 1/8	35500107
	Mounting set of 2 plates for joinable subbases with side ports			88135505

(1) Subbase can be mounted on EN 50022 - rail using 2 clips (clips catalogue number **33400043** (10).
 (2) An assembly of "n" valves on a manifold requires "n-1" joinable subbase plug one **end** (blanking function).

00390GB-2007/R01
Availability, design and specifications are subject to change without notice. All rights reserved.

DIMENSIONS AND WEIGHTS

VALVE ON **SINGLE** SUBBASE G 1/8

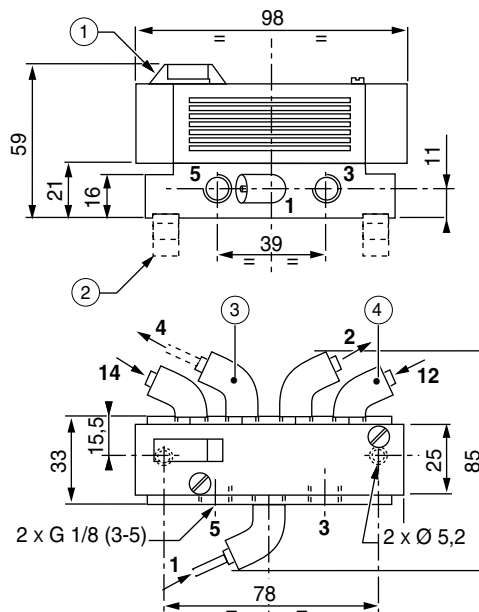
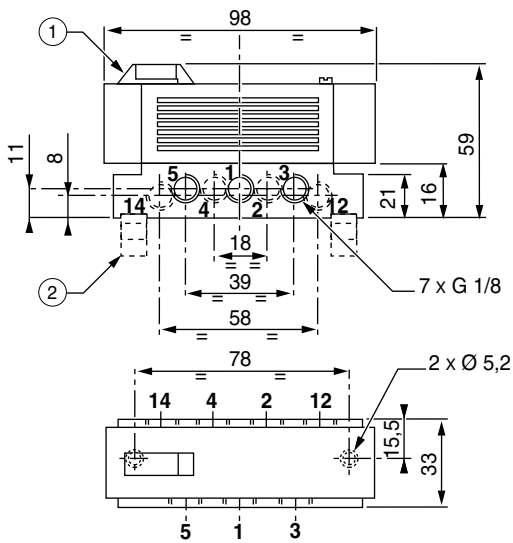
Subbase : cat.no. **35500049**

Weight : 0,480 kg

VALVE ON A **SINGLE** SUBBASE FOR INSTANT FITTINGS

Subbase : cat.no. **35900022**

Weight : 0,480 kg



VALVE ON **JOINABLE** SUBBASE

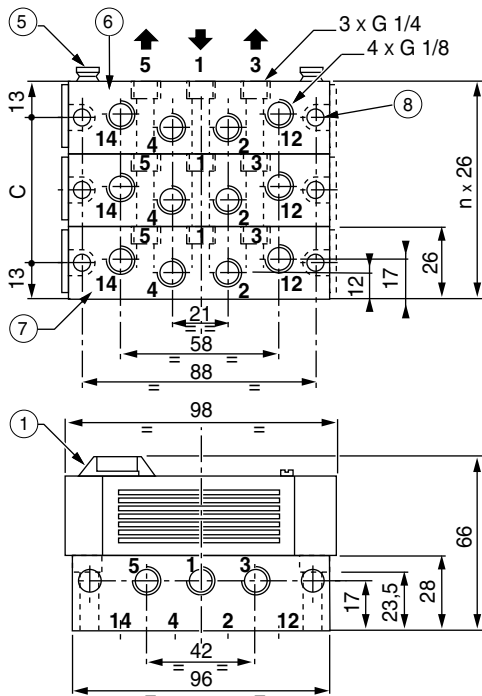
BOTTOM PORTS G 1/8 : **35500051 - 35500052**

Weight valve on subbase : 0,480 kg. Each

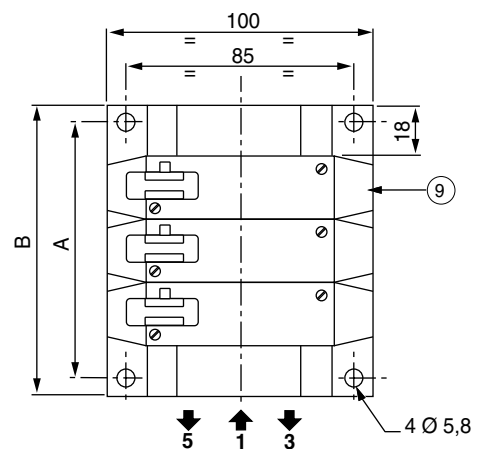
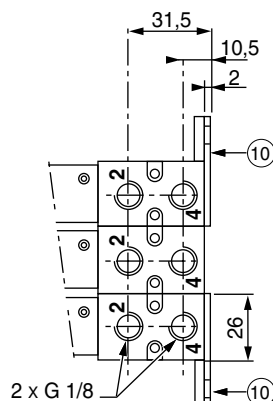
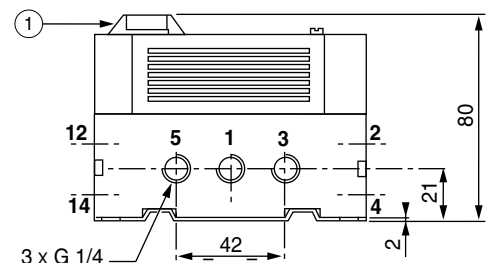
VALVE ON **JOINABLE** SUBBASE

SIDE PORTS G 1/8 : **35500106 - 35500107**

Weight valve on subbase : 0,600 kg. Each



Nb	A	B	C
2	72	87	26
3	98	113	52
4	124	139	78
5	150	165	104
6	176	191	130
7	202	217	156
8	228	243	182



- ① Manual override and position indicator
- ② 2 mounting clips for rail EN 50022
- ③ 3 instant fittings for flexible tube Ø 6 mm OD (1-2-4)
- ④ 2 instant fittings for flexible tube Ø 4 mm OD (12-14)
- ⑤ Joining units
- ⑥ Joinable subbase cat.no.: **35500052**

- ⑦ End subbase (blanking function) cat.no.: **35500051**
- ⑧ Mounting 2 holes Ø 4,5 depth 23,5
- ⑨ End subbase (blanking function) cat.no.: **35500107**
- ⑩ Plates of mounting
- n : number of subbases