

# JOINABLE SPOOL VALVES

**JOUCOMATIC**

air operated  
for fitting MEGA island  
instant fittings 6 or 8mm O. D.

**5/2-5/3**

Series

**578**

Type

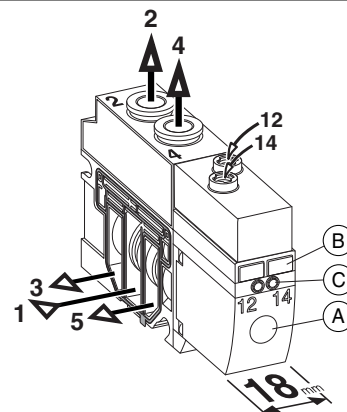
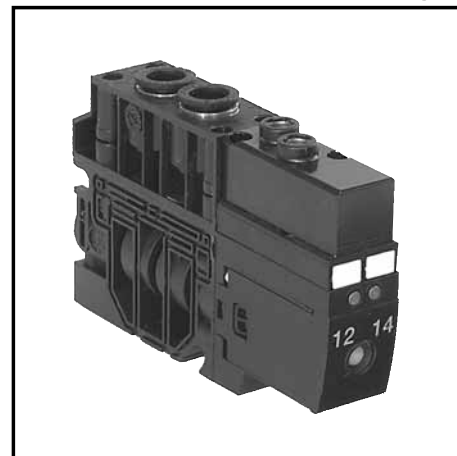
*mega*

## FEATURES

- Space saving due to new patented design.
- High flow, reduced dimensions.
- Quick installation without tools.
- All pneumatic connections including pilot valves on one side.
- Easy maintenance due to visual indication of the spool position (A), identification and reference (B) labels as well as manual override (C).

## GENERAL

FLUID : air or neutral gas, filtered at 30µm, lubricated or not  
 OPERATING PRESSURE : -0.95 bar to 8 bar  
 ALLOWABLE TEMPERATURE : -10°C to +50°C  
 CONNECTIONS  
 - Spool valves (ports 2 - 4) : with instant fittings for flexible hose O.D. 6 or 8 mm  
 - Pilots (ports 12 - 14) : with instant fittings for flexible hose O.D. 4 mm  
 - End covers (ports 1 - 3 - 5) : G1/4 thread or with instant fittings O.D. 10 mm  
 FLOW (Qv at 6 bar) : see table below  
 FUNCTION : 5/2 monostable or bistable, 5/3  
 PILOTS : air operated  
 PILOT PRESSURE : 2 or 3 bar to 8 bar (see table below)  
 VIBRATION FATIGUE LIMIT : according to EN 60068-2-6



## CONSTRUCTION

Body and end covers: glass fibre reinforced synthetic material  
 Internal parts: aluminium, stainless steel, zinc-plated steel, brass and synthetic material  
 Sealings: NBR and PUR  
 Impulse-type or locking push/turn-type manual override

## SPECIFICATIONS

Type	Function Symbols	Operators		Flow at 6 bar (l/min) (SRA)	Pilot pressure (bar)	(M)	catalogue number	
		Pilot (14)	Return (12)				ports 2-4 with instant fittings O.D. 6mm	O.D. 8mm
<b>S</b>	<b>5/2</b>	air operated	spring	900 (550)	3...8	▼	57800062	57800018
							●	57800068
<b>M</b>	<b>5/2</b>	air operated	differential	900 (550)	3...8	▼	57800063	57800019
							●	57800069
<b>J</b>	<b>5/2</b>	air operated	air operated	900 (550)	2...8	▼	57800061	57800017
							●	57800067
<b>G</b>	<b>5/3</b>	Centre closed <b>W1</b> air operated		600 (550)	3...8	▼	57800064	57800020
		●	57800070				57800026	
<b>B</b>	<b>5/3</b>	Centre open to pressure <b>W2</b> air operated		700 (550)	3...8	▼	57800065	57800021
		●	57800071				57800027	
<b>E</b>	<b>5/3</b>	Centre open to exhaust <b>W3</b> air operated		750 (550)	3...8	▼	57800066	57800022
		●	57800072				57800028	

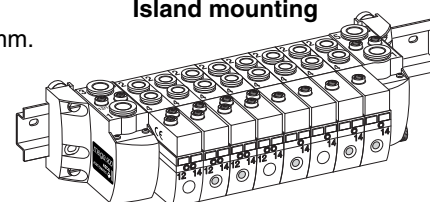
(M) Type of manual operator ▼ : impulse-type ● : locking, push-turn type  
 (550) : Max. flow rate of 550l/min for the version with instant fittings for flexible hose O.D. 6mm.

**ACCESSORIES FOR ISLAND ASSEMBLY** see overleaf

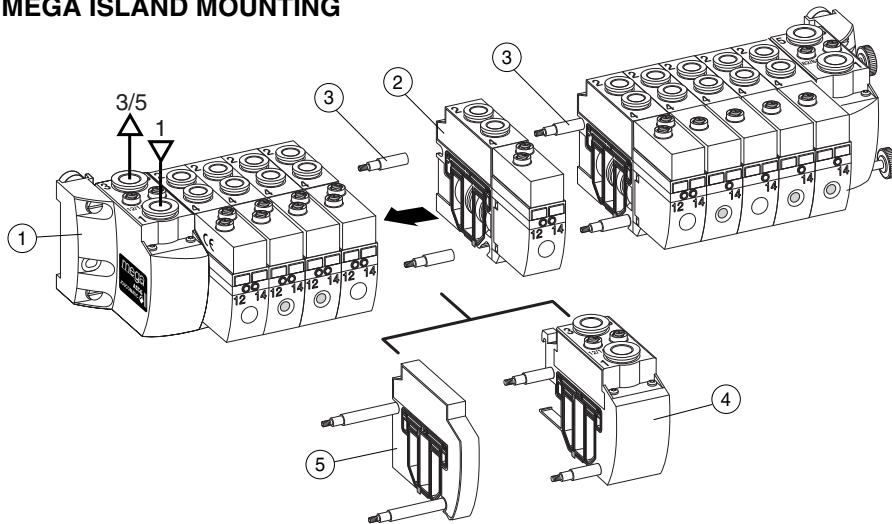
## POSSIBILITY TO DELIVERY ASSEMBLED

Specify the complete reference (see page 13)

Island mounting

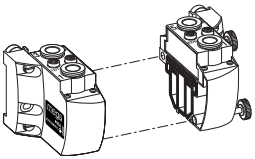
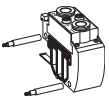
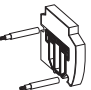
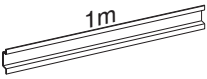
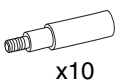
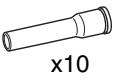
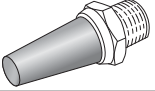
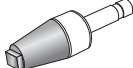



## MEGA ISLAND MOUNTING



- ① Set of 2 end covers :
  - assembling the island with connecting bolts ③
  - mounting of the island :
    - on machine frame or rack (2x4,2 dia.)
    - on symmetrical DIN rail to EN 50022
  - island common data connection (1) and (3/5)
- ② Matching spool valve supplied with two assembly bolts ③
- ④ Intermediate pressure supply module
- ⑤ Pressure separation plate

## ACCESSORIES OF MOUNTING AND CONNECTION

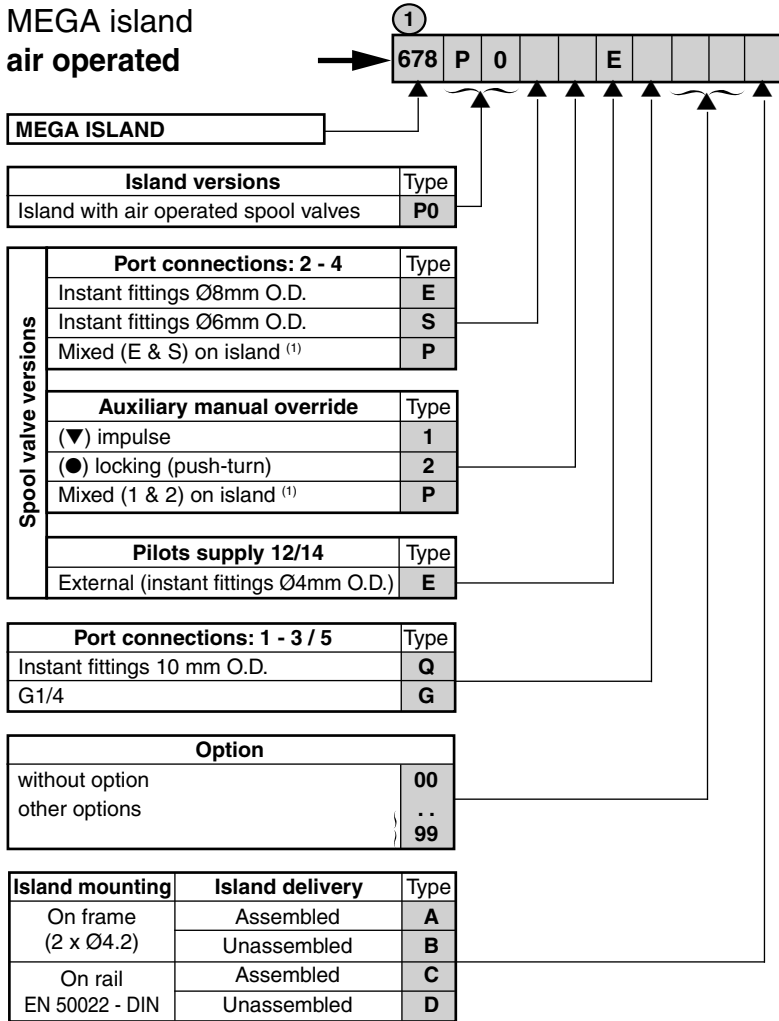
Accessorie	Description	Type	catalogue number	
	1 set of 2 end covers for islands for <b>frame</b> mounting	Instant fittings for 10mm O.D. hose G1/4 thread	<b>Q</b> <b>G</b>	<b>88157901</b> <b>88157903</b>
	1 set of 2 end covers for islands for <b>DIN rail</b> mounting	Instant fittings for 10mm O.D. hose G1/4 thread	<b>Q</b> <b>G</b>	<b>88157859</b> <b>88157861</b>
	Intermediate pressure supply module	Ports 1 and 3 / 5 with instant fittings 10 mm O.D.	<b>D</b>	<b>88157819</b>
		Ports 1 and 3 / 5 with G1/4 thread	<b>D</b>	<b>88157821</b>
	Pressure separation plate	Total blocking of ports 1 - 3 - 5 (no connection)	<b>X</b>	<b>88157815</b>
		Blocking of ports 3 - 5 (port 1 connection maintained)	<b>Y</b>	<b>88157817</b>
		Blocking of port 1 (ports 3 and 5 connections maintained)	<b>W</b>	<b>88157816</b>
		No blocking (ports 1, 3 and 5 connections maintained)	<b>V</b>	<b>88157818</b>
		Blocking of port 5 (ports 1 and 3 connections maintained)	<b>T</b>	<b>88157964</b>
		Blocking of port 3 (ports 1 and 5 connections maintained)	<b>R</b>	<b>88157965</b>
	DIN EN50022 rail	1 m	<b>88157858</b>	
		5 x 1 m	<b>33400033</b>	
	Set of 10 connecting bolts 18mm long (for 5 spool valves) (Note : Each spool valve is delivered with connecting bolts)		<b>88157893</b>	
	Set of 10 instant reducing fittings 8 / 6 mm O. D. (1)		<b>88157887</b>	
	Exhaust silencer , male thread (2)	Plastic body	<b>34600407</b>	
		Sintered bronze body	<b>34600002</b>	
	Sintered bronze exhaust silencer for direct mounting to ports with instant fittings 10 mm O.D. (3)		<b>88157826</b>	
	Set of 17 clip-on ID labels for spool valves and VCS connectors (Note : each component is supplied with 2 ID labels at delivery)		<b>88157851</b>	

- (1) For mounting to ports 2 – 4 of spool valves with 8 mm O.D. instant fittings for 6 mm O.D. flexible tube
- (2) Exhaust silencer for ports 3/5 of G1/4 threaded end covers
- (3) Exhaust silencer for ports 3/5 of end covers with instant fittings 10 mm O.D.

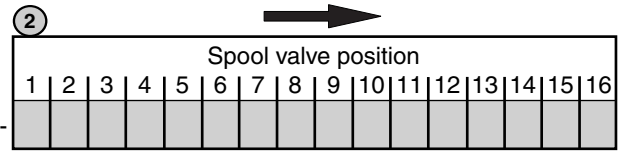
NOTE - Different pneumatically-operated spool valves can be associated with electrically-operated versions - supplementary information : see page 15

ORDERING INFORMATION FOR MEGA ISLAND

MEGA island  
air operated



(1) Different spool valve versions can be mixed on an island. In this case:  
 - indicate type "P" in the basic reference (1)  
 - fill in reference line (3)

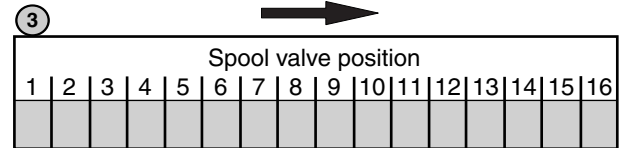


Please indicate the type of spool valve or accessory required

Spool valves (functions)		Type
5/2 - Air operated pilot, spring return (monostable)		<b>S</b>
5/2 - Air operated pilot, differential return (monostable)		<b>M</b>
5/2 - Air operated pilot and return (bistable)		<b>J</b>
5/3 - Pressure held (W1)		<b>G</b>
5/3 - Pressure applied (W2)		<b>B</b>
5/3 - Exhaust released (W3)		<b>E</b>
Reserve module (to be placed at the left end of the island)		<b>A</b>

For detailed information on spool valves see preceding page

Accessories		Type
Intermediate pressure supply module (connection identical to that selected for ports 1 - 3/5 on end covers, see opposite)		<b>D</b>
Pressure separation plate:		
• Total blocking of 1, 3 and 5 (no connection).....		<b>X</b>
• Blocking of 3 and 5 (port 1 connection maintained) .....		<b>Y</b>
• Blocking of 1 (ports 3 and 5 connections maintained) ..		<b>W</b>
• Blocking of 5 (ports 1 and 3 connections maintained) ...		<b>T</b>
• Blocking of 1 (ports 3 and 5 connections maintained) ..		<b>R</b>



Spool valve versions (with mixed connections)		
Port connections 2 - 4	Manual override	Type
Instant fittings 8 mm O.D.	(▼) impulse	<b>2</b>
	(●) locking	<b>4</b>
Instant fittings 6 mm O.D.	(▼) impulse	<b>6</b>
	(●) locking	<b>8</b>



How to fill in reference line (3) :

- Fill in **only** if different spool valve versions are to be mixed on an island.
- Use the spool valve position numbers specified in reference (2).
- Repeat the type of accessory in the same position number as specified in reference (2).

ORDERING EXAMPLE (1) : **678P0E1EG00A**

(2) : **JJSSE**

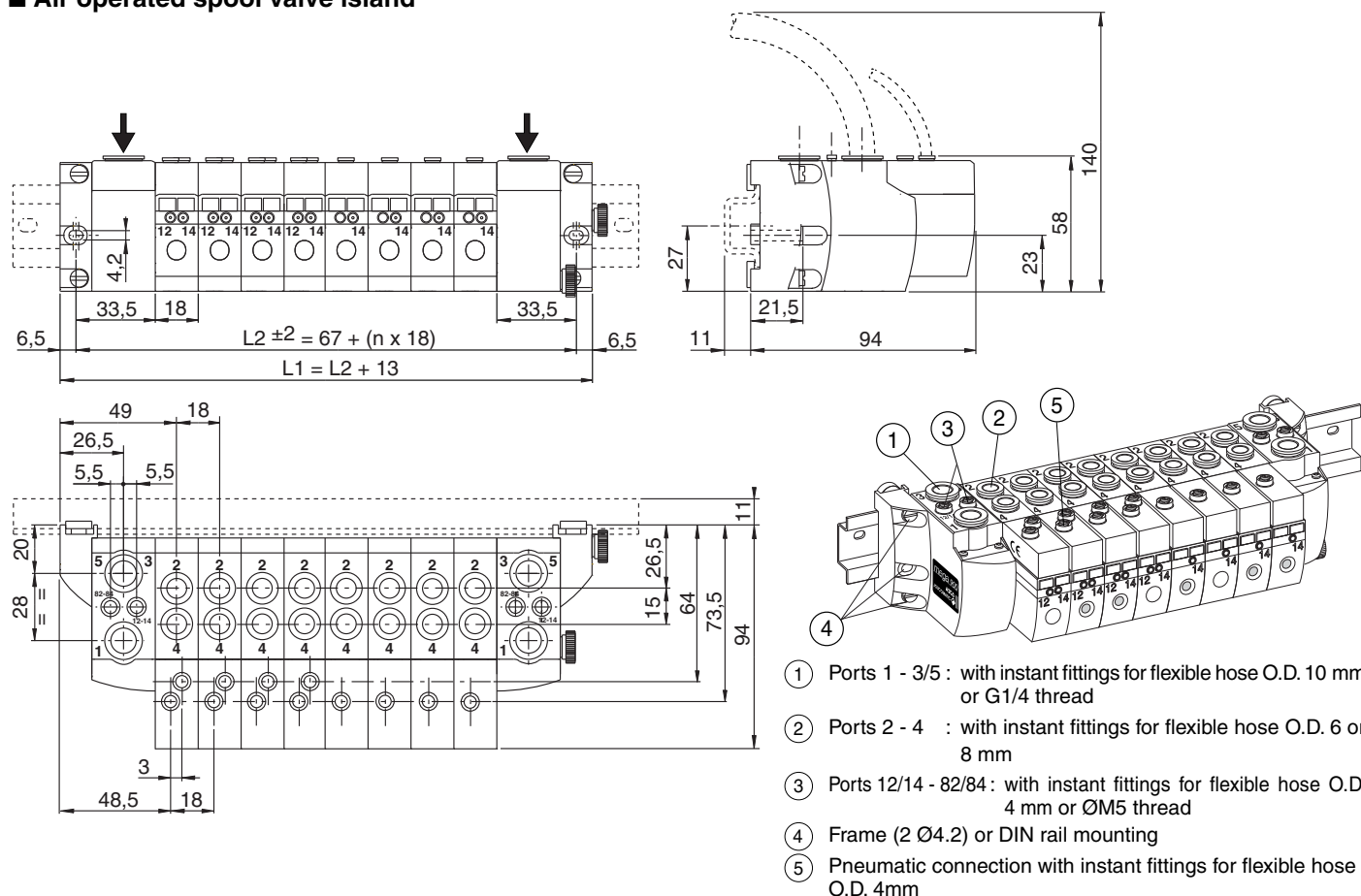
Mega island, supplied assembled, with end covers for frame mounting, G1/4 pressure inlets. Island comprising 6 air operated spool valves for connection with 8 mm OD instant hose fittings, impulse-type manual override.

Spool valve types:

- Three bistable 5/2 spool valves, type J, in positions 1, 2 and 3
- Two monostable 5/2 spool valves, type S, in positions 4 and 5
- One 5/3 spool valve (W3), type E, in position 6

## DIMENSIONS AND WEIGHTS

### ■ Air operated spool valve island



- ① Ports 1 - 3/5 : with instant fittings for flexible hose O.D. 10 mm or G1/4 thread
- ② Ports 2 - 4 : with instant fittings for flexible hose O.D. 6 or 8 mm
- ③ Ports 12/14 - 82/84 : with instant fittings for flexible hose O.D. 4 mm or ØM5 thread
- ④ Frame (2 Ø4.2) or DIN rail mounting
- ⑤ Pneumatic connection with instant fittings for flexible hose O.D. 4mm

	Number of spool valves												
	4	5	6	7	8	9	10	11	12	13	14	15	16
L2 (±2)	139	157	175	193	211	229	247	265	283	301	319	337	355
L1	152	170	188	206	224	242	260	278	296	314	332	350	368
Weight (kg)	0.650	0.760	0.870	0.980	1.090	1.200	1.310	1.420	1.530	1.640	1.750	1.860	1.970