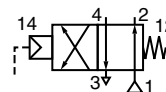


**JOUCOMATIC**

**POPPET VALVES**  
**air operated**  
 subbase-mounted body - G 1/2 - G 1 1/2 subbases



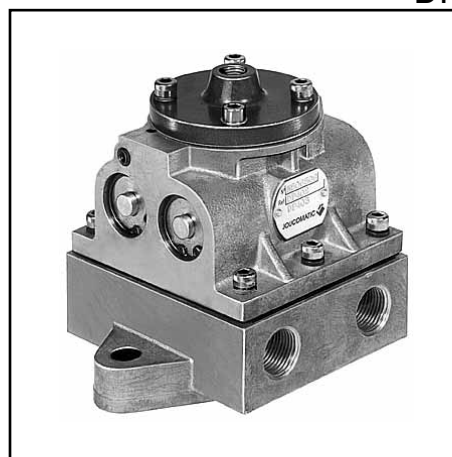
**4/2**  
 Series  
**266-267-268**  
 Type  
**DP**

**GENERAL**

FLUID : Air or neutral gas, filtered, lubricated or not  
 PRESSURE : 2 to 16 bar  
 TEMPERATURE : - 10°C, + 60°C  
 FLOW (Qv at 6 bar) : see table below  
 PILOT PRESSURE : the pilot pressure **must be equal** or superior to the pressure in the valve

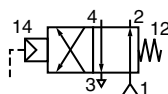
**CONSTRUCTION**

Body: light alloy  
 Internal parts: steel and light alloy  
 Sealings: nitrile (NBR)  
 Subbases: light alloy



**SPECIFICATIONS**

Pipe size	Orifice size (mm)	Flow at 6 bar		Fluid pressure (in bar) max.	Pilot pressure (in bar)		2 catalogue numbers	
		l/min (SRA)	KV coeff.		min.	max.	VALVE	AIR PILOT
G 1/2	14	2940	42	16	2	16	26690003	+ 88128408
G 1	22	9100	130	16	2	16	26790002	
G 1 1/2	40	31500	450	16	2	16	26890287	



1 = P = Pressure  
 2,4 = A,B = Outlet  
 3 = E = Exhaust

**D**

**SUBBASES**

Valve mating surface	Type of subbase	DESIGNATION		catalogue number	Reference
		Pipe size	Type of port		
CNOMO 06.05.72/73 AFNOR E49062/63 <b>G 1/2</b>	SINGLE	G 1/2	side	35700018	P/DP 403
	JOINABLE	G 1/2	side	35700038	PJ/DP 403
CNOMO 06.05.74 AFNOR E49064 <b>G 1</b>	SINGLE	G 1	side	35700020	P/DP 405
	JOINABLE	G 1	side	35700040	PJ/DP 405
CNOMO 06.05.75 AFNOR E49065 <b>G 1 1/2</b>	SINGLE	G 1 1/2	bottom	35700032	P/DP 407

**TO ORDER**

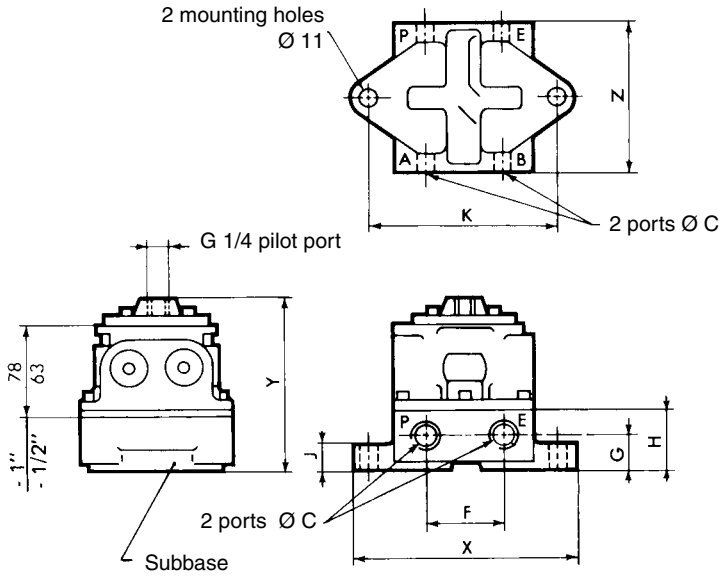
The valve, air pilot unit and subbase must be ordered separately to be mounted by customer: please specify the quantity and code of each component required.

00386GB-2008/R01 Availability, design and specifications are subject to change without notice. All rights reserved.

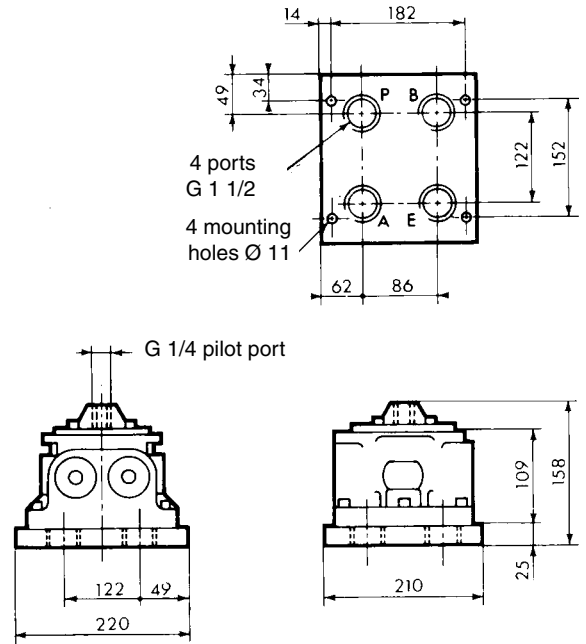
**DIMENSIONS AND WEIGHTS OF SUBBASE-MOUNTED VALVES**

**VALVE ON SINGLE SUBBASE**

**G 1/2 an G 1 (Series 266 - 267)**

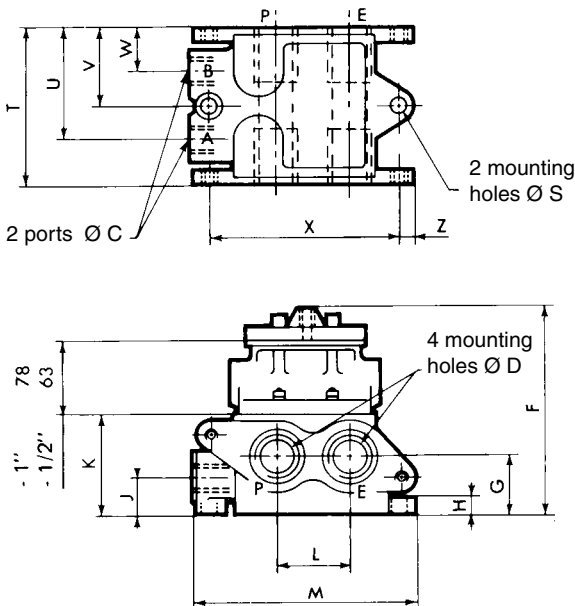


**G 1 1/2 (Series 268)**



Ports A,B,P and E Ø C	F	G	H	J	K	X	Y	Z	Weights kg
G 1/2	57	26	45	20	133	162	132	111	2,100
G 1	82	35	63	20	170	198	165	130	4,000

**VALVE ON JOINABLE SUBBASES G 1/2 AND G1 (Series 266 - 267)**



Ports A,B Ø C	Ports P,E Ø D	F	G	H	J	K	L	M	S	T	U	V	W	X	Z	Weights valves + subbases (kg)
G 1/2	G 3/4	152	36	14	25	65	49	152	11	114	85	57	29	130	11	2,600
G 1	G 1 1/4	197	56	20	37	95	66	203	14	149	108	77	46	172	14	5,500