

GENERAL

FLUID : Air or neutral gas, filtered, lubricated or not
 PRESSURE : 2 to 12 bar
 TEMPERATURE : - 10°C, + 60°C
 FLOW (Qv at 6 bar) : see table below
 PILOT PRESSURE : the pilot pressure **must be equal** or superior to the pressure in the valve

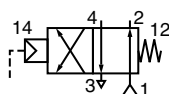
CONSTRUCTION

Body: light alloy
 Sealings: polyurethane (PUR) and nitrile (NBR)
 Mating surface to CNOMO 06-05-71/72 and AFNOR NF E49061/062
 Internal parts: steel, light alloy and acetal resin (POM)



SPECIFICATIONS

Pipe size	Orifice size (mm)	Flow		Fluid pressure (in bar)		Pilot pressure (in bar)		2 catalogue numbers	
		at 6 bar l/min (SRA)	KV coeff.	min.	max.	min.	max.	VALVE	AIR PILOT
G 1/4	8	700	10	2	12	2	12	26190069	88126110
G 3/8	12	1750	25	2	12	2	12	26290354	88126110



1 = P = Pressure
 2,4 = A,B = Outlet
 3 = E = Exhaust

SUBBASES

Valve mating surface	Type of subbase	DESIGNATION		catalogue number	Reference
		Pipe size	Type of port		
CNOMO 06.05.71 AFNOR E49061 G 1/4	SINGLE	G 1/4	side	35700003	P/DMP 401
	JOINABLE	G 1/4	side	35700008	PJ01/DMP 401
CNOMO 06.05.72 AFNOR E49062 G 3/8	SINGLE	G 3/8	side	35700004	P/DMP 402
	JOINABLE	G 3/8	bottom	35700011	PJ02/DMP 401- 402

TO ORDER

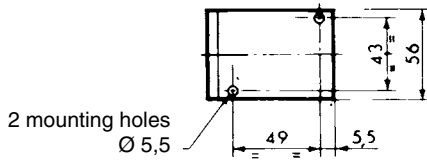
The valve, air pilot unit and subbase must be ordered separately to be mounted by customer: please specify the quantity and code of each component required.

00385GB-2007/R01
Availability, design and specifications are subject to change without notice. All rights reserved.

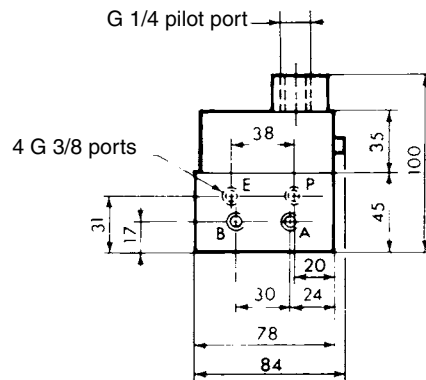
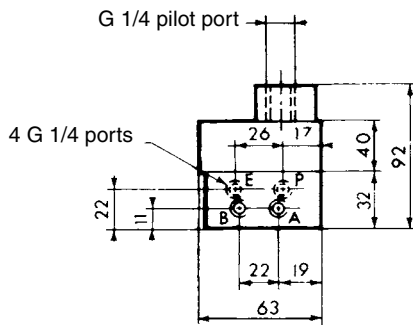
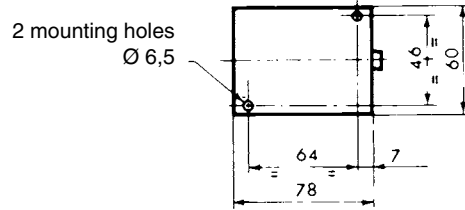
DIMENSIONS AND WEIGHTS

VALVE ON SINGLE SUBBASE

G 1/4 ports
 Subbase: cat.no. **35700003**
 Weight: 0,550 kg

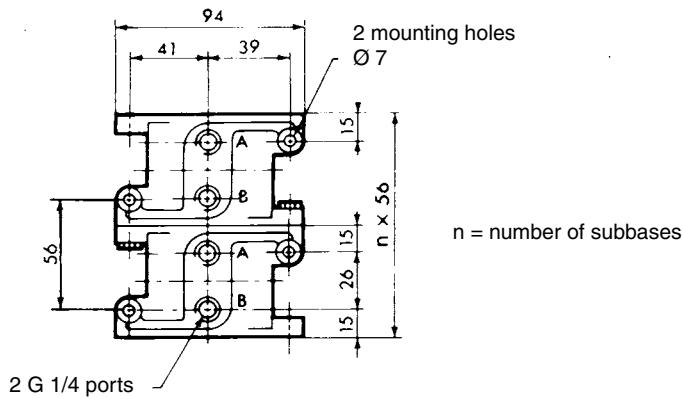


G 3/8 ports
 Subbase: cat.no. **35700004**
 Weight: 0,850 kg



VALVE ON JOINABLE SUBBASE

G 1/4 ports
 Subbase: cat.no. **35700008**
 Weight: 0,500 kg



G 3/8 ports
 Subbase: cat.no. **35700011**
 Weight: 0,750 kg

