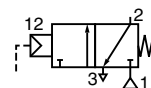


POPPET VALVES

air operated

JOUCOMATIC

subbase-mounted body - G 1/2 to G 1 1/2 subbases



3/2

Series

266-267-268

Type

DP

GENERAL

FLUID	: Air or neutral gas, filtered, lubricated or not
PRESSURE	: 2 to 16 bar
TEMPERATURE	: - 10°C, + 60°C
FLOW (Qv at 6 bar)	: see table below
PILOT PRESSURE	: the pilot pressure must be equal or superior to the pressure in the valve

CONSTRUCTION

Body: light alloy
 Internal parts: steel and light alloy
 Sealings: nitrile (NBR)
 Subbases: light alloy



SPECIFICATIONS

FUNCTION NC Normally closed at rest				1 = P = Pressure 2 = U = Outlet 3 = E = Exhaust				
Pipe size	Orifice size (mm)	Flow		Fluid pressure (in bar) max.	Pilot pressure (in bar)		2 catalogue numbers	
		at 6 bar l/min (SRA)	KV coeff.		min.	max.	VALVE	AIR PILOT
G 1/2	14	3000	42	16	2	16	26690001	} + 88128408
G 1	22	9100	130	16	2	16	26790001	
G 1 1/2	40	31500	450	16	2	16	26890284	

SUBBASES

Valve mating surface	Type of subbase	DESIGNATION		catalogue number	Reference
		Pipe size	Type of port		
CNOMO 06.05.82/83 AFNOR E49068/69 G 1/2	SINGLE	G 1/2	side	35700014	P/DP 303
	JOINABLE	G 1/2	side	35700034	PJ/DP 303
CNOMO 06.05.84 AFNOR E49070 G 1	SINGLE	G 1	side	35700016	P/DP 305
	JOINABLE	G 1	side	35700036	PJ/DP 305
CNOMO 06.05.85 AFNOR E49071 G 1 1/2	SINGLE	G 1 1/2	bottom	35700030	P/DP 307

OPTIONS

- NO valve (normally open at rest)

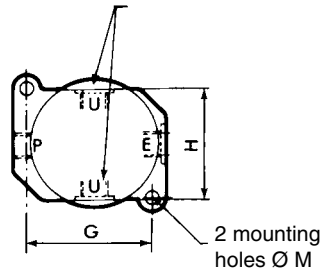
00383GB-2008/R01
Availability, design and specifications are subject to change without notice. All rights reserved.

DIMENSIONS AND WEIGHTS OF SUBBASE-MOUNTED VALVES Series 266-267-268 (DP)

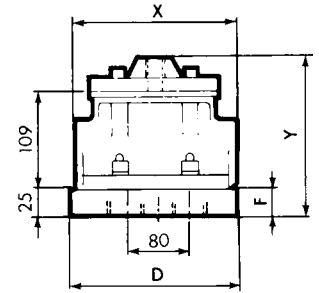
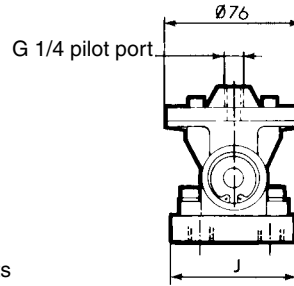
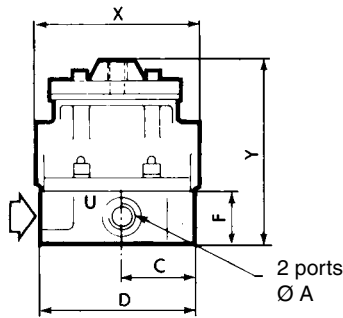
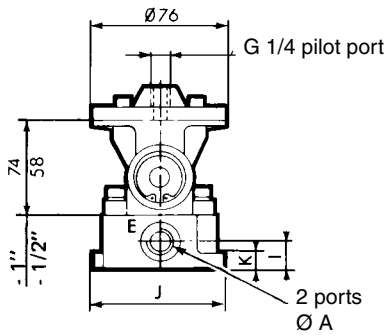
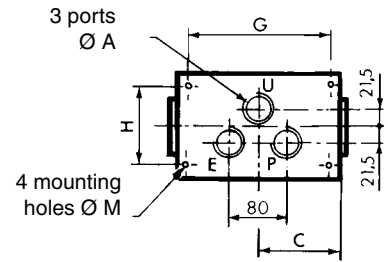
VALVE ON SINGLE SUBBASE

G 1/2 and G 1 (Series 266 - 267)

2 outlet ports $\varnothing A$
(2 connection possibilities)

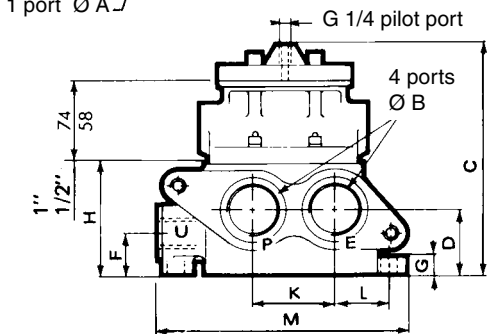
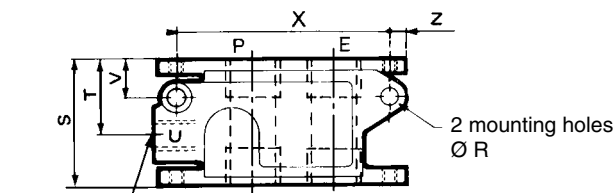


G 1 1/2 (Series 268)



$\varnothing A$	C	D	F	G	H	I	J	K	M	X	Y	Weights kg
G 1/2	48,5	92	34	76	62	18	78	9	2 $\varnothing 9$	100	116	1,100
G 1	93,5	164	55	144	68	25	88	12	2 $\varnothing 11$	133	153	1,900
G 1 1/2	105	210	24,5	182	100	-	135	-	4 $\varnothing 11$	154	158	2,600

VALVE ON JOINABLE SUBBASES G 1/2 AND G1 (Series 266 - 267)



$\varnothing A$	$\varnothing B$	C	D	F	G	H	K	L	M	R	S	T	V	X	Z	Weights kg
G 1/2	G 3/4	147	36	25	14	65	49	34	152	11	85	56	28	130	11	1,700
G 1	G 1 1/4	193	56	37	20	95	66	45	203	14	104	63	32	172	14	3,300

00883GB-2007/R01
Availability, design and specifications are subject to change without notice. All rights reserved.