

GENERAL

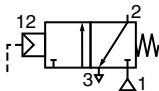
FLUID	: Air or neutral gas, filtered, lubricated or not
PRESSURE	: 2 to 12 bar (Series 284) or 16 bar (Series 285/286)
FLUID TEMPERATURE	: - 10 °C, + 60 °C
FLOW (Qv at 6 bar)	: see table below
PILOT PRESSURE	: the pilot pressure must be equal or superior to the pressure in the valve

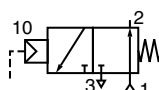
CONSTRUCTION

Series 284	: Body : zinc diecast Sealing : nitrile (NBR) and polyurethane (PUR) Internal parts : light alloy and acetal resin (POM)
Series 285/286	: Body and internal parts : light alloy Sealing : nitrile (NBR)



SPECIFICATIONS

FUNCTION NC Normally closed at rest				1 = Pressure 2 = Outlet 3 = Exhaust						
Pipe size Orifices 1 and 2	Orifice size (mm)	Flow		Fluid pressure (in bar)		Operator pressure (in bar)		2 catalogue numbers		
		at 6 bar l/min (ANR)	coeff. KV	min.	max.	min.	max.	VALVE	AIR PILOT	
G 3/8	G 1/2	12	4500	64	2	12	2	12	28490001 28490002 28590213 28590215	88128408
G 1/2	G 1/2	15	6000	85	2	12	2	12		
G 3/4	G 1	26	12500	180	2	16	2	16		
G 1	G 1	26	12500	180	2	16	2	16		
G 1 1/4	G 1 1/2	40	35000	500	2	16	2	16	28690021	-
G 1 1/2	G 1 1/2	40	35000	500	2	16	2	16	28690023	-

FUNCTION NO Normally open at rest				1 =Pressure 2 =Outlet 3 =Exhaust						
Pipe size Orifices 1 and 2	Orifice size (mm)	Flow		Fluid pressure (in bar)		Operator pressure (in bar)		2 catalogue numbers		
		at 6 bar l/min (ANR)	coeff. KV	min.	max.	min.	max.	VALVE	AIR PILOT	
G 3/8	G 1/2	12	4500	64	2	12	2	12	28490004 28490005 28590214 28590216	88128408
G 1/2	G 1/2	15	6000	85	2	12	2	12		
G 3/4	G 1	26	12500	180	2	16	2	16		
G 1	G 1	26	12500	180	2	16	2	16		
G 1 1/4	G 1 1/2	40	35000	500	2	16	2	16	28690022	-
G 1 1/2	G 1 1/2	40	35000	500	2	16	2	16	28690024	-

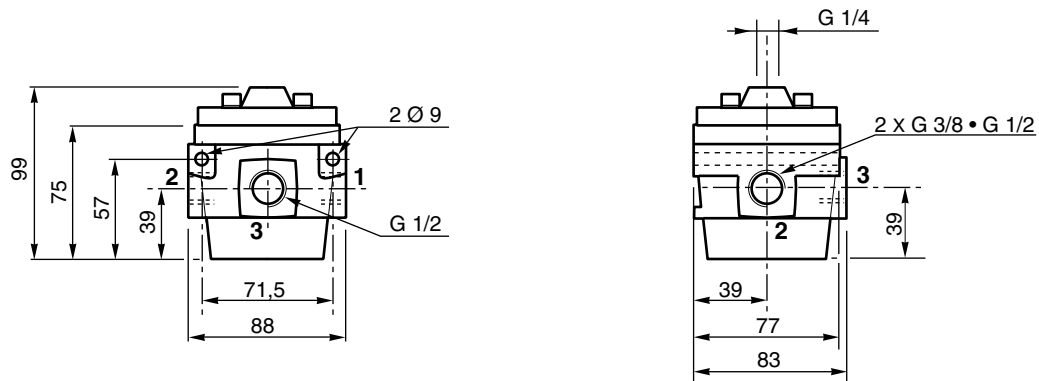
OPTIONS (consult us)

- Function 2/2 NC or NO
- Function 3/2 with amplifier
- Function for use with vacuum (series 284 G1/2 only)
- Function spool valve or valve with pressure selector

DIMENSIONS AND WEIGHTS

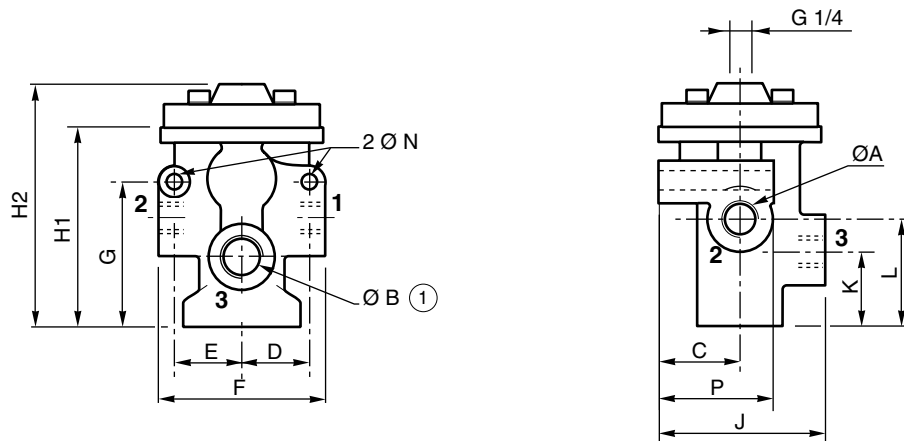
VALVE **Series 284** (G 3/8-G 1/2)

Weight : 1,400 kg.



VALVE **Series 285** (G 3/4-G 1)

286 (G 1 1/4-G 1 1/2)



① To be plugged for use as 2 ports valve

Ports 1-2 ØA	Port 3 ØB	C	D	E	F	G	H1	H2	J	K		L	N	P	Weight kg
										NC	NO				
G 3/4	G 1	39	43,5	39	113	91	126	150	92	88	45	67	9	62	1,100
G 1	G 1	39	43,5	39	113	91	126	150	92	88	45	67	9	62	1,110
G 1 1/4	G 1 1/2	46	66,5	52	165	130	207	231	124	124	64	94	13	78	3,800
G 1 1/2	G 1 1/2	46	66,5	52	165	130	207	231	124	124	64	94	13	78	3,800