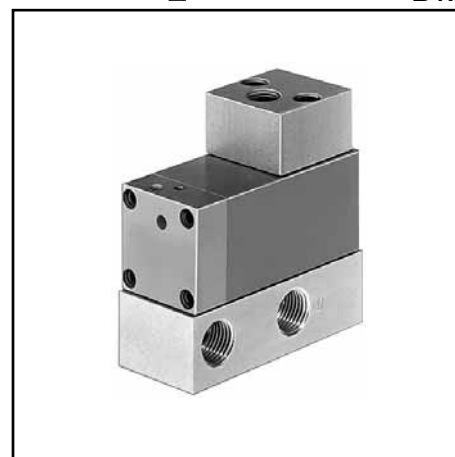


GENERAL

FLUID : Air or neutral gas, filtered, lubricated or not
 PRESSURE : 2 to 12 bar
 TEMPERATURE : - 10°C, + 60°C
 FLOW (Qv at 6 bar) : see table below
 PILOT PRESSURE : the pilot pressure **must be equal** or superior to the pressure in the valve

CONSTRUCTION

Body: light alloy
 Sealings: polyurethane (PUR) and nitrile (NBR)
 Mating surface to CNOMO 06-05-81/82 and AFNOR NF E49067/068
 Internal parts: steel, light alloy and acetal resin (POM)



SPECIFICATIONS

FUNCTION NC Normally closed at rest								P = 1 = Pressure U = 2 = Outlet E = 3 = Exhaust		
Pipe size	Orifice size (mm)	Flow		Fluid pressure (in bar)		Pilot pressure (in bar)		2 catalogue numbers		
		at 6 bar l/min (SRA)	KV coeff.	min.	max.	min.	max.	VALVE	+	AIR PILOT
G 1/4	8	700	10	2	12	2	12	26190067	+	88126110
G 3/8	12	1750	25	2	12	2	12	26290352	+	88126110

FUNCTION NO Normally open at rest								P = 1 = Pressure U = 2 = Outlet E = 3 = Exhaust		
Pipe size	Orifice size (mm)	Flow		Fluid pressure (in bar)		Pilot pressure (in bar)		2 catalogue numbers		
		at 6 bar l/min (SRA)	KV coeff.	min.	max.	min.	max.	VALVE	+	AIR PILOT
G 1/4	8	700	10	2	12	2	12	26190068	+	88126110
G 3/8	12	1750	25	2	12	2	12	26290353	+	88126110

SUBBASES

Valve mating surface	DESIGNATION			catalogue number	Reference
	Type of subbase	Pipe size	Type of port		
CNOMO 06.05.81 AFNOR E49067 G 1/4	SINGLE (1)	G 1/4	side	35300049	-
	JOINABLE (1)	G 1/4	side	35300057	-
CNOMO 06.05.82 AFNOR E49068 G 3/8	SINGLE	G 3/8	side	35700002	P/DMP 302
	JOINABLE	G 3/8	bottom	35700010	PJ02/DMP 302

(1) These subbases can be directly mounted on symmetrical EN 50022 - AFNOR NF C63015 standard rail using 1 mounting clip (clips sold in packets of 10 - cat.no. **33400036**).

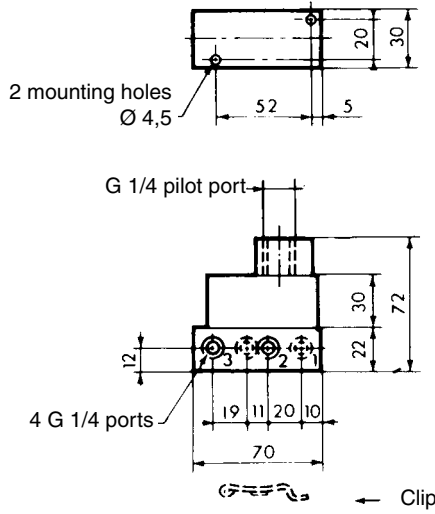
TO ORDER

The valve, air pilot unit and subbase must be ordered separately to be mounted by customer: please specify the quantity and catalogue number of each component required.

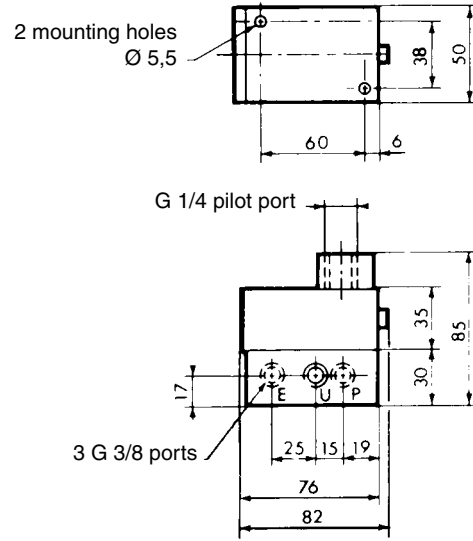
DIMENSIONS AND WEIGHTS

VALVE ON SINGLE SUBBASE

G 1/4 ports
Subbase: cat.no. **35300049**
Weight: 0,300 kg

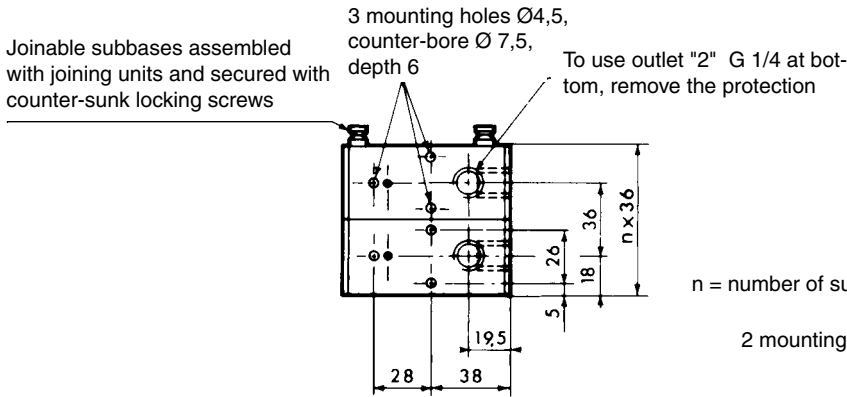


G 3/8 ports
Subbase: cat.no. **35700002**
Weight: 0,650 kg



VALVE ON JOINABLE SUBBASE

G 1/4 ports
Subbase: cat.no. **35300057**
Weight: 0,350 kg



G 3/8 ports
Subbase: cat.no. **35700010**
Weight: 0,800 kg

