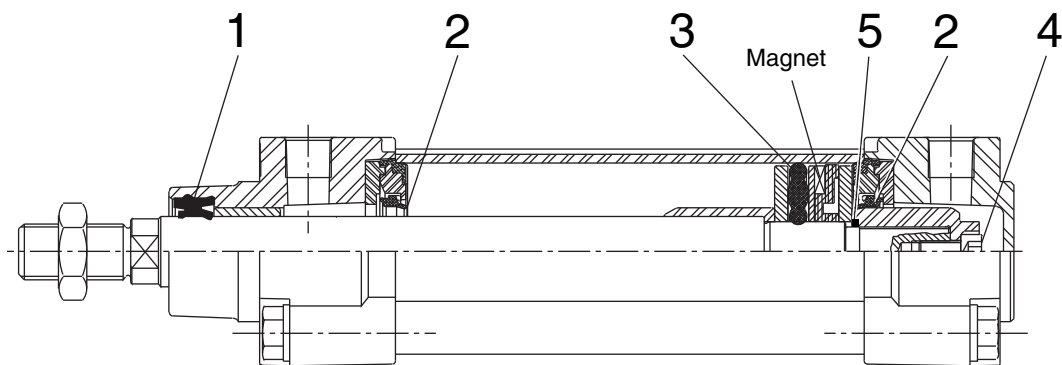
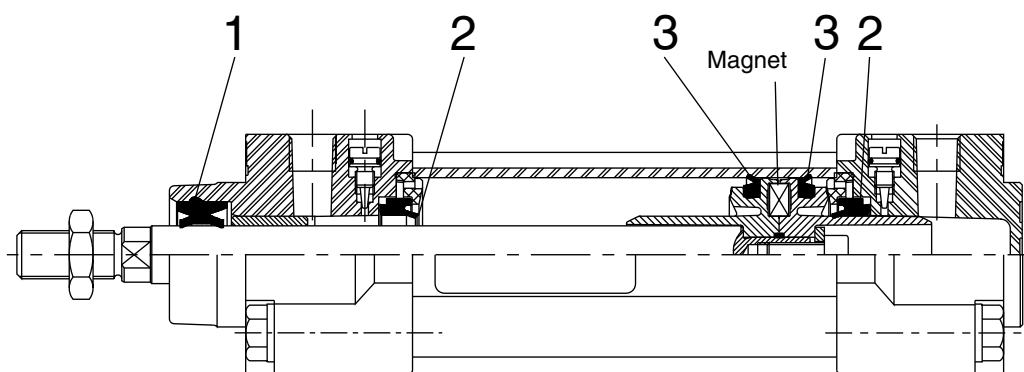


CONSTRUCTION I



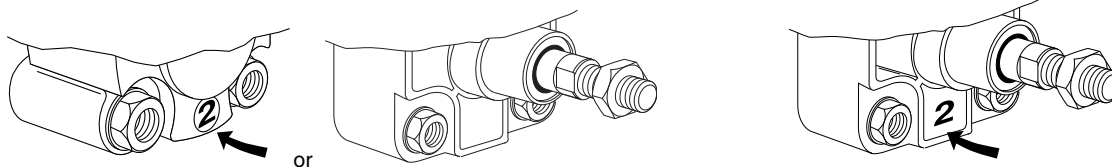
CONSTRUCTION II



Identification of construction type 2

PES Ø 32 ... 80 mm

PES Ø 100 ... 200 mm



Ø	cylinder type	construction I (seals : 1 to 5)	construction II (seals : 1 to 3)
32	equipped for detector	consult us	97802343
40	equipped for detector		97802344
50	equipped for detector		97802345
63	equipped for detector		97802346
80	equipped for detector		97802347
100	equipped for detector		97801661
125	equipped for detector	97801662	97802260
160	equipped for detector	97801878	97802261
200	equipped for detector	97801886	97802262
250	consult us		

NOTE: For best results, use grease supplied in each kit. Supplementary tube available (11 cm3) on request, code: **97802100**