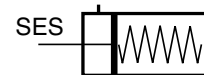
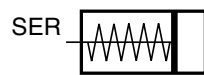


ISOCLAIR COMPACT ROUND CYLINDERS

Ø 12 to 25 mm - single acting
ISO 6432-CETOP-AFNOR



Series
435
Type
CC-AS
CC-AS/DM

FEATURES

- Good resistance to corrosive elements (barrel and stainless steel rod)

GENERAL

Detection	Equipped or not for magnetic position detectors
Fluid	Air or neutral gas, filtered, lubricated or not
Operating pressure	2 to 10 bar
Ambient temperature	-10°C to +70°C
Standards	ISO 6432 - 8139 - 8140 CETOP RP 52 P - RP 102 P - RP 103 P AFNOR NF E 49-030 - NF E 49-035 - NF E 49-036

Minimum pressure to compress the spring : 2 bar

The return of the piston rod must be without load



CONSTRUCTION

	Cylinder non-equipped for detectors	Cylinder equipped for detectors
Barrel	Stainless steel	Non-magnetic stainless steel
Rod	Stainless steel	Stainless steel
Front and rear covers	Anodized light alloy	Anodized light alloy
Piston	POM (polyacetal) and light alloy	POM (polyacetal) and light alloy equipped with permanent magnet
Piston seals	PUR (polyurethane)	PUR (polyurethane)
Neck nut	Galvanized steel	Galvanized steel
Rod nut	Galvanized steel	Galvanized steel
Dismounting	Cannot be dismounted	Cannot be dismounted
Cushioning	Without cushioning	Without cushioning

SPECIFICATIONS

Ø (mm)	stroke (mm)	rod returned at rest (SER)		rod out at rest (SES)		connection Ø
		catalogue number	reference	catalogue number	reference	
Cylinder non-equipped for detectors						
12	25	43500341	CC 12 AS 25 - SER	43500349	CC 12 AS 25 - SES	M5
	50	43500342	CC 12 AS 50 - SER	43500350	CC 12 AS 50 - SES	
16	25	43500343	CC 16 AS 25 - SER	43500351	CC 16 AS 25 - SES	M5
	50	43500344	CC 16 AS 50 - SER	43500352	CC 16 AS 50 - SES	
20	25	43500345	CC 20 AS 25 - SER	43500353	CC 20 AS 25 - SES	G 1/8
	50	43500346	CC 20 AS 50 - SER	43500354	CC 20 AS 50 - SES	
25	25	43500347	CC 25 AS 25 - SER	43500355	CC 25 AS 25 - SES	G 1/8
	50	43500348	CC 25 AS 50 - SER	43500356	CC 25 AS 50 - SES	
Cylinder equipped for detectors *						
12	25	43500361	CC 12 AS 25 - SER/DM	-	-	M5
	50	43500362	CC 12 AS 50 - SER/DM	-	-	
16	25	43500363	CC 16 AS 25 - SER/DM	-	-	M5
	50	43500364	CC 16 AS 50 - SER/DM	-	-	
20	25	43500365	CC 20 AS 25 - SER/DM	-	-	G 1/8
	50	43500366	CC 20 AS 50 - SER/DM	-	-	
25	25	43500367	CC 25 AS 25 - SER/DM	-	-	G 1/8
	50	43500368	CC 25 AS 50 - SER/DM	-	-	

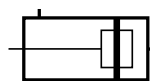
* The magnetic position detectors must be ordered separately :

"T" model (see page P291), "COMPACT" model (see page P293), "UNI" modèle (see page P295), reed switch or magneto-resistive type

MOUNTINGS (see page 9)

OPTIONS

- Other strokes on request
- Piston rod in hard chrome steel, catalogue number: **995001**
- Overlength piston rod in hard chrome steel, cat. n°: **995003**



FEATURES

- Good resistance to corrosive elements (barrel and stainless steel rod)

GENERAL

Detection	Equipped or not for magnetic position detectors
Fluid	Air or neutral gas, filtered, lubricated or not
Operating pressure	10 bar max.
Ambient temperature	-10°C to +70°C
Standards	ISO 6432 - 8139 - 8140 CETOP RP 52 P - RP 102 P - RP 103 P AFNOR NF E 49-030 - NF E 49-035 - NF E 49-036

CONSTRUCTION

	Cylinder non-equipped for magnetic detectors	Cylinder equipped for magnetic detectors
Barrel	Stainless steel	Non-magnetic stainless steel
Rod	Stainless steel	Stainless steel
Front and rear covers	Anodized light alloy	Anodized light alloy
Piston	POM (polyacetal) and light alloy	POM (polyacetal) and light alloy equipped with permanent magnet
Piston seals	PUR (polyurethane)	PUR (polyurethane)
Neck nut	Galvanized steel	Galvanized steel
Rod nut	Galvanized steel	Galvanized steel
Dismounting	Cannot be dismounted	Cannot be dismounted
Cushioning	Without cushioning	Without cushioning



B

SPECIFICATIONS

Ø (mm)	stroke (mm)	Cylinder non-equipped for detectors		Cylinder equipped for detectors *		connection Ø
		catalogue number	reference	catalogue number	reference	
12	25	43500377	CC 12 AS 25	43500402	CC 12 AS 25 - DM	M5
	50	43500378	CC 12 AS 50	43500403	CC 12 AS 50 - DM	
	80	43500379	CC 12 AS 80	43500404	CC 12 AS 80 - DM	
	100	43500380	CC 12 AS 100	43500405	CC 12 AS 100 - DM	
16	25	43500381	CC 16 AS 25	43500406	CC 16 AS 25 - DM	M5
	50	43500382	CC 16 AS 50	43500407	CC 16 AS 50 - DM	
	80	43500383	CC 16 AS 80	43500408	CC 16 AS 80 - DM	
	100	43500384	CC 16 AS 100	43500409	CC 16 AS 100 - DM	
20	25	43500385	CC 20 AS 25	43500410	CC 20 AS 25 - DM	G 1/8
	50	43500386	CC 20 AS 50	43500411	CC 20 AS 50 - DM	
	80	43500387	CC 20 AS 80	43500412	CC 20 AS 80 - DM	
	100	43500388	CC 20 AS 100	43500413	CC 20 AS 100 - DM	
25	25	43500389	CC 25 AS 25	43500414	CC 25 AS 25 - DM	G 1/8
	50	43500390	CC 25 AS 50	43500415	CC 25 AS 50 - DM	
	80	43500391	CC 25 AS 80	43500416	CC 25 AS 80 - DM	
	100	43500392	CC 25 AS 100	43500417	CC 25 AS 100 - DM	
	160	43500393	CC 25 AS 160	43500418	CC 25 AS 160 - DM	

* The magnetic position detectors must be ordered separately :
"T" model (see page P291), "COMPACT" model (see page P293), "UNI" modèle (see page P295), reed switch or magneto-resistive type

MOUNTINGS

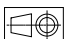
Ø (mm)			catalogue number			
12	Front flange MF8	High foot (peer unit) MS3	Female rod clevis ISO 8140 - RP 102 P AP2	Spherical bearing rod end ISO 8139 - RP 103 P AP6	Neck nut MR3	43900179
16						43900183
20	Front flange MF8	High foot (peer unit) MS3	Female rod clevis ISO 8140 - RP 102 P AP2	Spherical bearing rod end ISO 8139 - RP 103 P AP6	Neck nut MR3	43900180
25						43900184
			43400016	43400001		

Each cylinder is delivered with a neck nut.

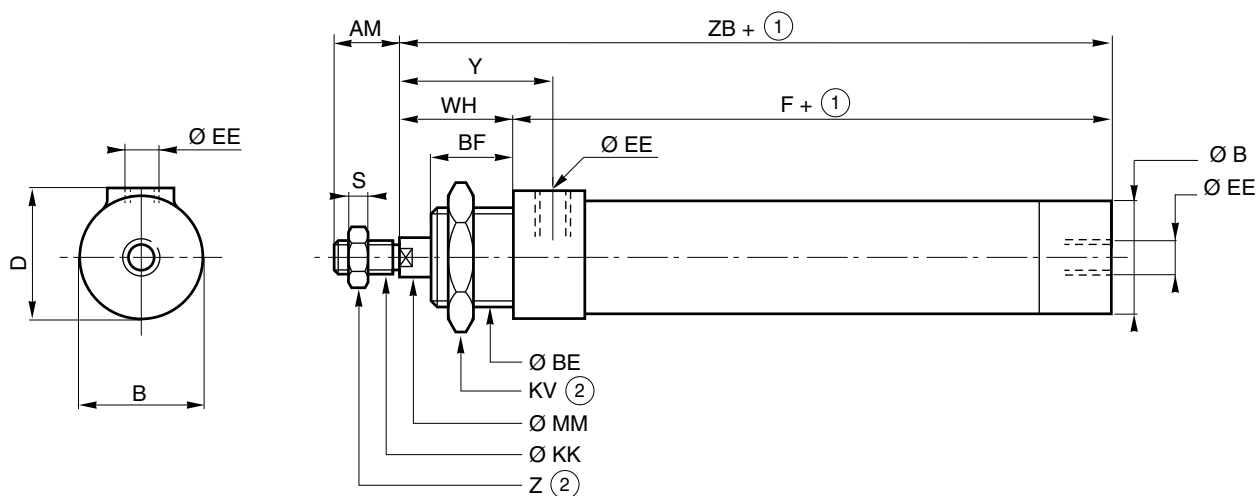
OPTIONS

- Other strokes on request
- Piston rod in hard chrome steel, catalogue number: **995001**
- Overlength piston rod in hard chrome steel, cat. n°: **995003**

00329GB-2008/R01
Availability, design and specifications are subject to change without notice. All rights reserved.

DIMENSIONS (mm), WEIGHT (kg) 

Bare cylinder (delivered with front neck nut).



① Stroke

② Dimensions across flats

\varnothing	AM	B	$\varnothing BE$	BF	D	EE	F	$\varnothing KK$	MM	S	KV	WH
12	16	14	M16x1,5	14	20	M5	48,8	M6x1	6	3	19	22
16	16	20	M16x1,5	14	21	M5	55,8	M6x1	6	3	19	22
20	20	24	M22x1,5	17,5	29	G 1/8	64,5	M8x1,25	10	4	27	24
25	22	29	M22x1,5	17,5	30	G 1/8	69,6	M10x1,25	10	5	27	28

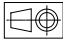
\varnothing	Y	Z	ZB	weight	
				(3)	(4)
12	29	10	70,7	0,050	0,090
16	29	10	77,7	0,070	0,100
20	32,5	13	88,3	0,140	0,160
25	36,5	17	97,5	0,150	0,200

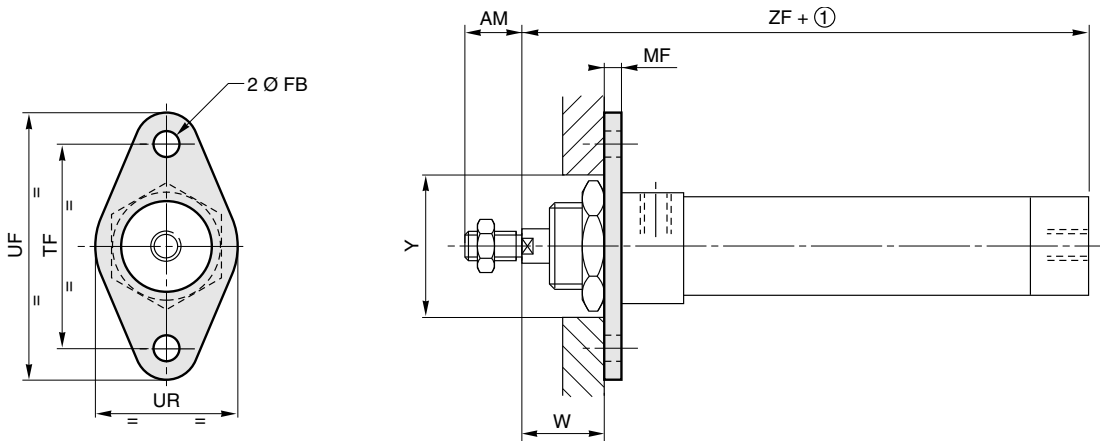
(3) Cylinder weight with 0 mm stroke.

(4) Weight to be added per additional 100 mm length.

NOTE:

- Single and double acting cylinders \varnothing 12 to 25 mm have the same dimensions.
- The length of the SES version is **twice** the nominal stroke.
- The mountings are always delivered separately.

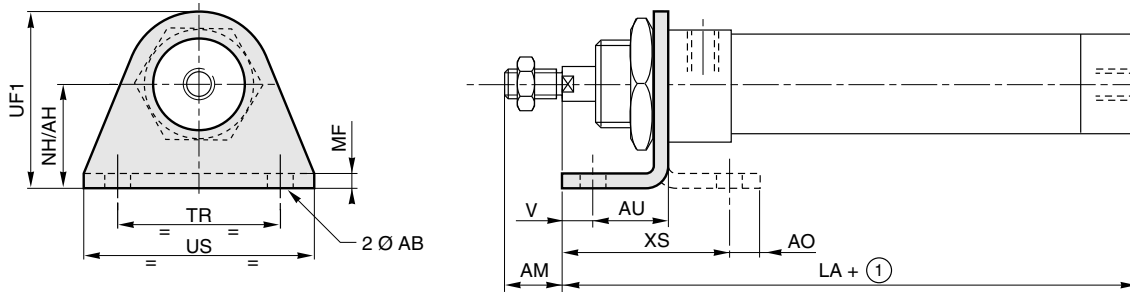
DIMENSIONS (mm), WEIGHT (kg) 
Front mounting flange - MF8



Weight mounting (Kg)
Ø 12-16 = 0,020
Ø 20-25 = 0,040

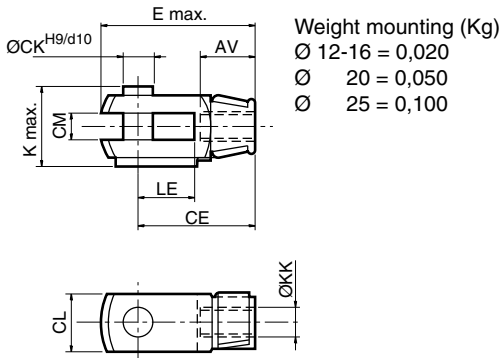
B

High foot mounting - MS3

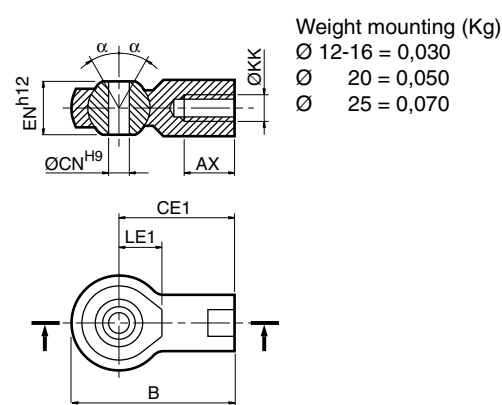


Weight mounting (Kg)
Ø 12-16 = 0,050
Ø 20-25 = 0,100

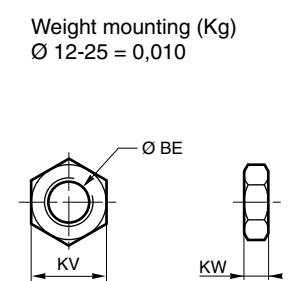
Female rod clevis - AP2
ISO 8140 - RP102 P



Spherical bearing rod end - AP6
ISO 8139 - RP103 P



Neck nut - MR3



① Stroke

Ø	AM	AO	AU	ØAB ØFB	AV AX	B	ØBE	CE	CE1	ØCK	CL	CM	ØCN	E	EN	K	ØKK	KV
12	16	6	14	5,5	12	40	M16x1,5	24	30	6	12	6 ^{+0,4} _{+0,1}	6	33,5	9	16,5	M6x1	19
16	16	6	14	5,5	12	40	M16x1,5	24	30	6	12	6 ^{+0,4} _{+0,1}	6	33,5	9	16,5	M6x1	19
20	20	9	17	6,6	16	48	M22x1,5	32	36	8	16	8 ^{+0,5} _{+0,15}	8	45	12	22	M8x1,25	27
25	22	9	17	6,6	20	57	M22x1,5	40	43	10	20	10 ^{+0,5} _{+0,15}	10	56	14	26	M10x1,25	27

Ø	KW	LE	LE1	MF	NH AH	TF	TR	UR	UF	UF1	US	V	W	XS	Y	ZB
12	4	12	11	4	20	40	32	30	52	32	42	8	18	32	22	70
16	4	12	11	4	20	40	32	30	52	32	42	8	18	32	22	77
20	5	16	13	5	25	50	40	40	66	45	54	7	19	36	31	88
25	5	20	15	5	25	50	40	40	66	45	54	11	23	40	31	97

