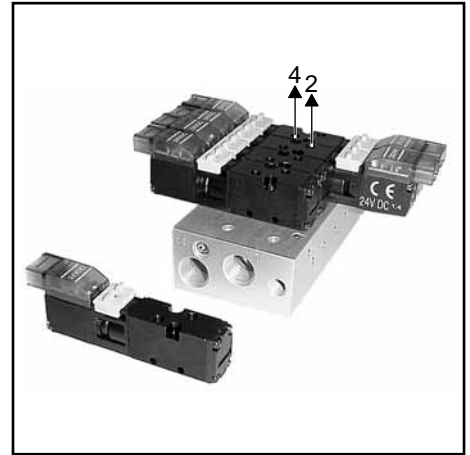


GENERAL

| | |
|----------------------------|---|
| Fluid | Air or neutral gas, non-lubricated, filtered at 25 µm |
| Operating pressure | 2 to 8 bar |
| Ambient temperature | +5°C to +50°C |
| Flow (Qv at 6 bar) | See "specifications" |
| Manual override | Impulse-type and maintained |
| Particularity | These M3 threaded control valves also fit subbases : common ports 1 and (3-5) on subbase and load ports 2 - 4 on control valve, at the upper parts. |



CONSTRUCTION

| | |
|-----------------------|-------------------------------------|
| Body | Light alloy, PA (polyamide) |
| Internal parts | Light alloy, brass, stainless steel |
| Seals | NBR (nitrile) |

ELECTRICAL CHARACTERISTICS

| voltage (other voltages on request) | consumption | insulation class | protection degree | electrical connection |
|--|-------------|------------------|-------------------|--|
| 24V = 12V = 5V = | 1 W | F | IP 40 | connector with two 0.5 mm ² lead wires + built-in LED and electrical protection or cable ends, 0.5 m long |
| (+10%, -15%) | | | | |
| | | | | |

The solenoid valves are designed for continuous operation within the maximum ambient temperature limits.

SPECIFICATIONS

| function symbol | operators pilot (14) solenoid air operated return (12) | flow | | response time (ms) | | consumption (W) | type of electrical connection (*) | catalogue number (1) | |
|-----------------|--|----------------------|-----------|------------------------------|--------------|-----------------|-----------------------------------|----------------------|----------|
| | | at 6 bar l/min (ANR) | coeff. Kv | energized | de-energized | | | | |
| 3/2 NC | differential return | 100 | 1,43 | 9 | 25 | 1,3 | 1 | 51801001 | |
| | | | | | | | 2 | 51801126 | |
| | | | | | | | 3 | 51801127 | |
| | differential return | | | 9 | 25 | 1,3 | 4 | 51801128 | |
| | | | | | | | 5 | 51801129 | |
| | | | | | | | 1 | 51801003 | |
| 5/2 | differential return | 100 | 1,43 | 9 | 25 | 1,3 | 2 | 51801130 | |
| | | | | | | | 3 | 51801131 | |
| | | | | | | | 4 | 51801132 | |
| | | | | solenoid air operated return | 6 | - | 1,3 | 5 | 51801133 |
| | | | | | | | | 1 | 51801020 |
| | | | | | | | | 2 | 51801134 |
| | 5/3 | pressure held W1 | 80 | 1,15 | 8 | 15 | 1,3 | 3 | 51801135 |
| | | | | | | | | 4 | 51801136 |
| | | | | | | | | 5 | 51801137 |
| | | pressure release W3 | | | 8 | 15 | 1,3 | 1 | 51801022 |
| | | | | | | | | 2 | 51801138 |
| | | | | | | | | 3 | 51801139 |
| 5/3 | pressure release W3 | 80 | 1,15 | 8 | 15 | 1,3 | 4 | 51801140 | |
| | | | | | | | 5 | 51801141 | |
| | | | | | | | 1 | 51801030 | |
| | | | | | | | 2 | 51801142 | |
| | | | | | | | 3 | 51801143 | |
| 5/3 | pressure release W3 | 80 | 1,15 | 8 | 15 | 1,3 | 4 | 51801144 | |
| | | | | | | | 5 | 51801145 | |
| | | | | | | | 1 | 51801032 | |
| | | | | | | | 2 | 51801146 | |
| | | | | | | | 3 | 51801147 | |
| 5/3 | pressure release W3 | 80 | 1,15 | 8 | 15 | 1,3 | 4 | 51801148 | |
| | | | | | | | 5 | 51801149 | |

(*) Type 1, 2, 3, 4 with LED and electrical protection

1 = horizontal, width 5,08 mm

2 = vertical, width 5,08 mm

3 = horizontal, width 2,54 mm

4 = vertical, width 2,54 mm

5 = Cable ends 0,5 m long, 0,25 mm²

(1) The connectors must be ordered **separately** indicating the quantity and one of the following codes:

Connectors with 2 lead wires

Pin spacing 5,08 mm - Length 0,5 m - **cat.no.: 88118801**

- Length 1,5 m - **cat.no.: 88118802**

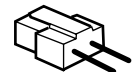
- Length 3 m - **cat.no.: 88118803**

Pin spacing 2,54 mm

- Length 0,5 m - **cat.no.: 88118806**

- Length 1,5 m - **cat.no.: 88118807**

- Length 3 m - **cat.no.: 88118808**



SUBBASES : see overleaf

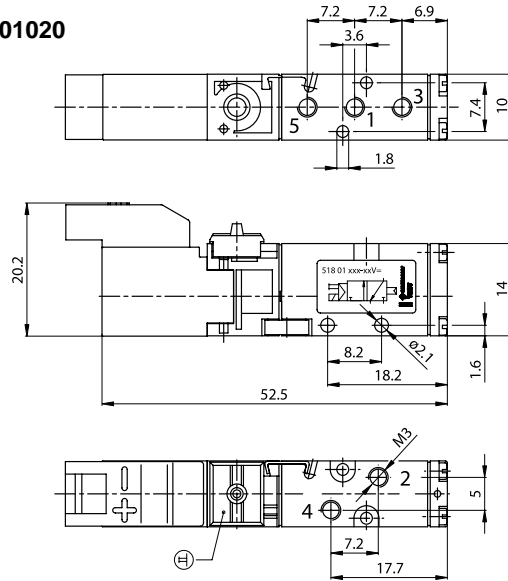
DIMENSIONS (mm), WEIGHT (kg)

MICRO SPOOL-VALVES 3/2 - 5/2

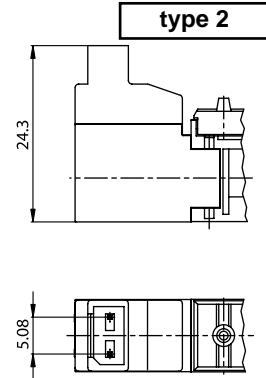
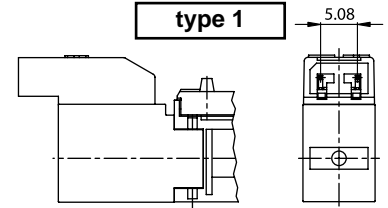
cat.no. 51801001, 51801003, 51801020

| weight | |
|-------------|-------------|
| spool-valve | 1 connector |
| 0,023 | 0,005 |

- 1 = pressure
- 2,4 = outlets
- 3,5 = exhausts



ELECTRICAL CONNECTION

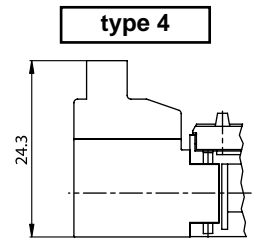
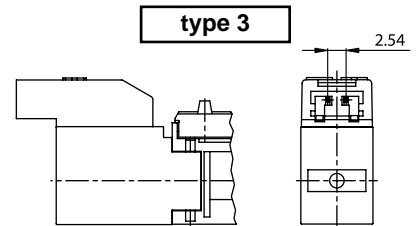
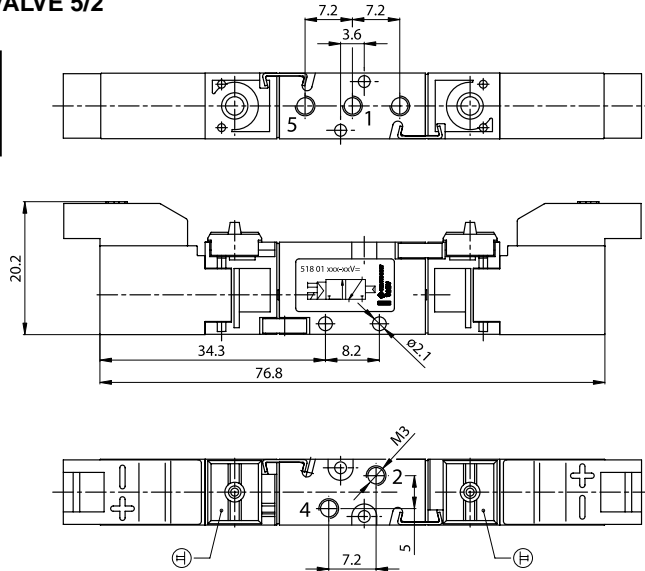


IMPULSE MICRO SPOOL-VALVE 5/2

cat.no. 51801022

| weight | |
|-------------|--------------|
| spool-valve | 2 connectors |
| 0,037 | 0,010 |

- 1 = pressure
- 2,4 = outlets
- 3,5 = exhausts

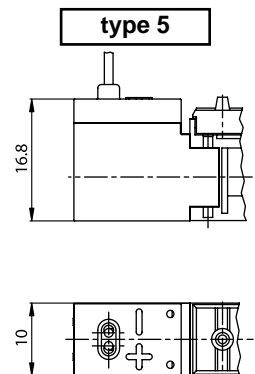
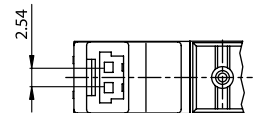
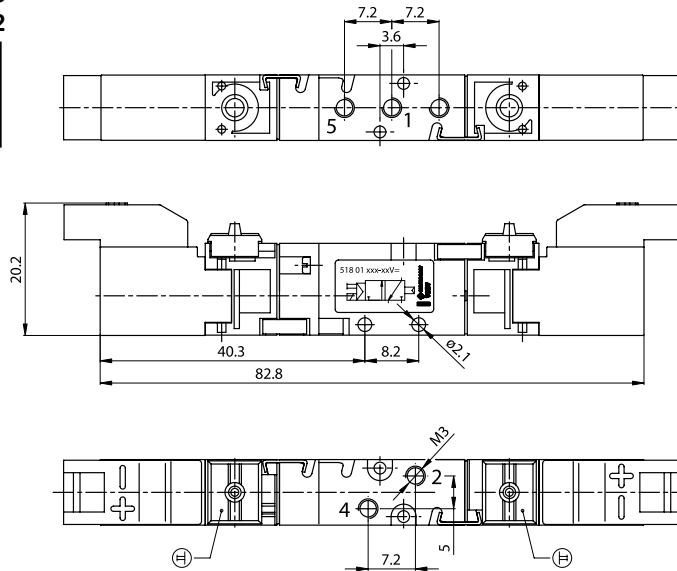


MICRO SPOOL-VALVES 5/3

cat.no. 51801030, 51801032

| weight | |
|-------------|--------------|
| spool-valve | 2 connectors |
| 0,040 | 0,010 |

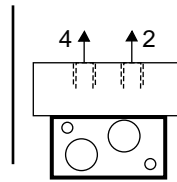
- 1 = pressure
- 2,4 = outlets
- 3,5 = exhausts



SUBBASES

for tapped solenoid air operated
 spool valves

Series
355
 Type
Micro 10



CONSTRUCTION

Connection (2 - 4)

Material

Collected connection

ØM3 (at the **upper** part of spool valves)

Light alloy

Pressure - G 1/8 (1)

Exhaust - G 1/8 (5)

Collected pilot exhaust Ø M5 (82/84)

The 1-5-82-84 ports can be connected to both ends

Subbases are delivered with sealing plugs.

DIMENSIONS (mm), WEIGHT (kg)

| subbase catalogue number | no. of spool-valves | length | | subbase weight |
|--------------------------|---------------------|--------|-------|----------------|
| | | L1 | L2 | |
| 35500232 | 2 | 47,5 | 32,5 | 0,098 |
| 35500233 | 3 | 58 | 43 | 0,123 |
| 35500234 | 4 | 68,5 | 53,5 | 0,146 |
| 35500235 | 5 | 79 | 64 | 0,172 |
| 35500236 | 6 | 89,5 | 74,5 | 0,195 |
| 35500237 | 7 | 100 | 85 | 0,220 |
| 35500238 | 8 | 110,5 | 95,5 | 0,245 |
| 35500239 | 9 | 121 | 106 | 0,270 |
| 35500240 | 10 | 131,5 | 116,5 | 0,293 |

A - Blanking plate : **cat.no. 88135533**

