

PRESSURE DETECTOR

When the output is remote from the solenoid valve, it is necessary to put the pressure detector near to the output. The detector can be associated with:

- a proportional solenoid valve (to give closed loop control)
- a proportional valve (consult us)

ELECTRICAL CHARACTERISTICS

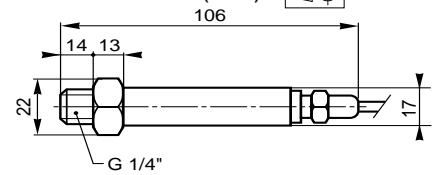
Stabilised voltage	24 V DC $\pm 10\%$
Protection class	IP 65
Precision class	0,5
3 conductor cable outlet, length 2 m	
Brown	+ 24V
White	output
Green	ground

SPECIFICATIONS

pressure range (bar)	catalogue number	
	output voltage 0 - 10 V	output current 0 - 20 mA
0 - 20	60300022	60300027
0 - 10	60300023	60300028
0 - 5	60300024	60300029
0 - 3	60300025	60300030
0 - 2	60300026	60300031
0 - 1	60300104	60300105



DIMENSIONS (mm)



AMPLIFIER PLUG

- For G 1/4 and G 1/2 proportional solenoid valves
- The amplifier plugs are used to modify and amplify the setpoint signal to a modulated current (0 to 1100 mA or 0 to 1400 mA) to control the solenoid of a proportional solenoid valve (nominal diameters: 6 - 12 and 20 mm)

ELECTRICAL CHARACTERISTICS

Voltage	24 V DC $\pm 10\%$ (maximum ripple: 10%)
Current output	1100 mA max.
Connection by CM10 connector (Pg11P)	

SPECIFICATIONS

description	Ø valve ports	catalogue number
Setpoint voltage 0 - 10 V or current 0 - 20 mA (0 - 1100mA)	G1/4 G1/2	60300019
Setpoint voltage 0 - 10 V or current 0 - 20 mA (0 - 1400mA)	G1	consult us



SETPOINT POTENTIOMETER

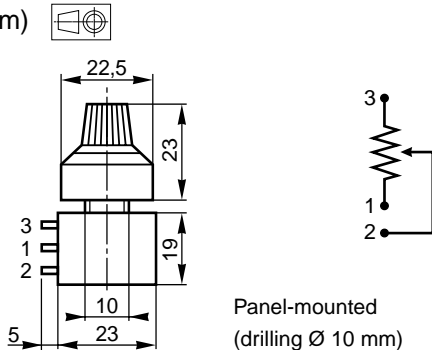
For manual change of the electrical setpoint on a proportional valve or amplifier plug.

SPECIFICATIONS

description	catalogue number
1 turn adjustment	60300042
Fine 10 turn adjustment	60300043

Ohmic value: 10 K Ω (linear)

DIMENSIONS (mm)



Panel-mounted
(drilling Ø 10 mm)



Model: Fine 10 turn potentiometer