

GENERAL

Fluid Air or neutral gas, filtered at 5 µm, without condensate, lubricated or not

Maximum allowable pressure (MAP) 2 to 18 bar

Control range 0-0,1 bar to 0-16 bar

Fluid temperature +5°C to +40°C

Ambient temperature +5°C to +40°C

Flow coefficient (as per ISO6358) when fully open
C: 3,29x10⁻⁸ m³/s.Pa (sonic conductance)
b: 0,44 (critical pressure ratio)
 1400 l/min (ANR), when fully open

Flow (Qv at 6 bar) 1400 l/min (ANR) (setpoint at 0V)

Max leakage (at 6 bar) 50 l/min (ANR) (setpoint at 0V)

Setpoint - analog 0 - 10 V (impedance 100 kΩ)

- digital (option) 8 bits + memory function
8 bits + pressure reset

Hysteresis < 0,5% of span

Independent linearity < 0,1% of span



CONSTRUCTION

Body treated light alloy

Internal parts treated light alloy

ELECTRICAL CHARACTERISTICS

Ø connection	stabilised voltage (1)	max. power (W)	max. current (2) (mA)	insulation class	degree of protection	electrical connection
G 1/4	24 V = +/-10%	30	1250	F	IP 65	7-pin plug-in connector DIN 43651

(1) Max ripple: 10%
 Electromagnetic compatibility: electrostatic discharge IEC 801-2 level 3
 fast electrical transience (coupling clip) IEC 801-4 level

SPECIFICATIONS

Ø connection	"failsafe" function on loss of power	flow at 6 bar (l/min) (ANR)	control range (bar)	maximum allowable pressure (MAP) (bar)	catalogue number
G 1/4	<p>pressure released (open center)</p>	1400	0 - 0,1	2	60700007
			0 - 0,5	2	60700008
			0 - 1	2	60700009
			0 - 3	8	60700010
			0 - 6	12	60700011
			0 - 10	12	60700012
			0 - 16	18	60700013
	<p>flow held (closed center)</p>	1400	0 - 0,1	2	60700014
			0 - 0,5	2	60700015
			0 - 1	2	60700016
			0 - 3	8	60700017
			0 - 6	12	60700018
			0 - 10	12	60700019
			0 - 16	18	60700020

OPTIONS

Analog setpoint 0 - 20mA (Input impedance 500Ω) _____ catalogue number: **010644**

Analog setpoint 4 - 20mA (Input impedance 500Ω) _____ catalogue number: **010645**

Floating input of setpoint 0 - 20mA (1) _____ catalogue number: **010819**

Floating input of setpoint 4 - 20mA (1) _____ catalogue number: **010820**

Pressure information output 0 - 20mA (max load 500Ω) _____ catalogue number: **010646**

Pressure information output 4 - 20mA (max load 500Ω) _____ catalogue number: **010647**

PNP pressure switch if setpoint reached _____ catalogue number: **010648**

NPN pressure switch if setpoint reached _____ catalogue number: **010649**

PNP pressure switch if setpoint not reached _____ catalogue number: **010817**

NPN pressure switch if setpoint not reached _____ catalogue number: **010818**

Digital setpoint (8 bits + memory function) _____ catalogue number: **010650**


Digital setpoint (8 bits + pressure reset) _____ catalogue number: **010651**

Additional control loop (2) _____ catalogue number: **010652**

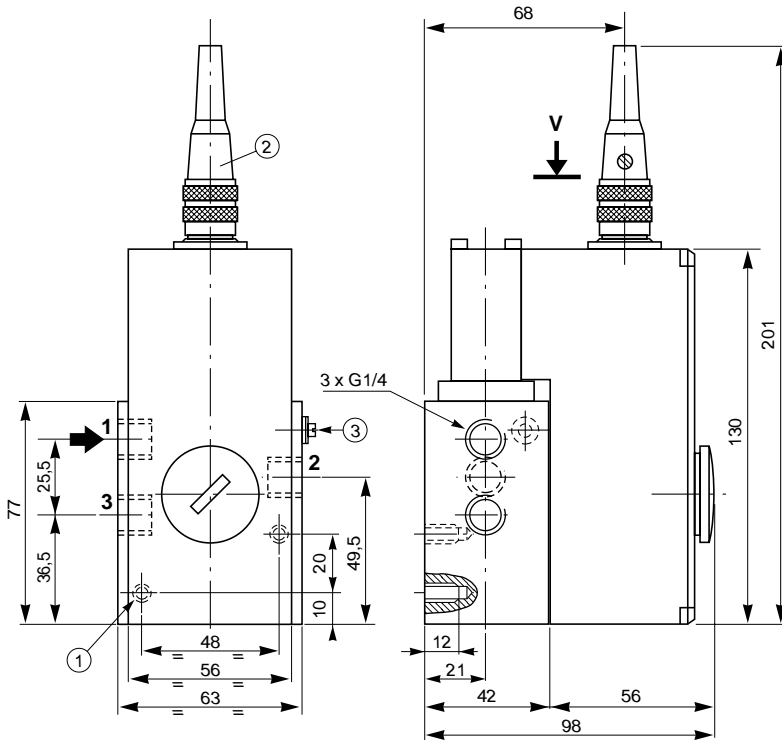
(1) Common mode voltage accepted: ± 24V to ground
 (2) Optional loop for pressure release version (open center)
 The loop is included in the standard pressure held version (closed center)

ACCESSORIES (see page P300-8)

1 turn or 10 turn potentiometer
 Pressure sensor

DIMENSIONS (mm), WEIGHT (kg) 

Weight: 1,1 kg

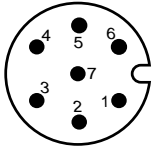


- ① Bottom attachment: 2 ØM5 holes
Tapped depth: 12 mm
- ② Electric connection by plug-in connector
- ③ External ground terminal

CONNECTION CONNECTORS

analog setpoint version

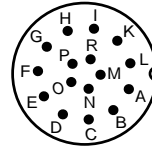
view from "V"
(solder side of female connector)



- 1 - +24V power supply
- 2 - Ground (power supply)
- 3 - + setpoint input
- 4 - Ground (setpoint)
- 5 - 12V stabilised voltage output
(max. 30 mA)
- 6 - Pressure signal (pressure sensor
output 0-10V for the pressure range
in question)
- 7 - Not connected (standard)
As option: pressure switch output
connection NPN or PNP
(max. 500 mA)

digital setpoint version

view from "V"
(solder side of female connector)



- A - +24V power supply
- B - Ground (power supply)
- C - Bit 1 (LSB)
- D - Bit 2
- E - Bit 3
- F - Bit 4
- L - Memory function (option 010650)
Pressure reset function (option 010651)
- M - Not connected (standard)
As option: pressure switch output
connection NPN or PNP (max. 500 mA)
- N - Not connected
- O - Not connected
- G - Bit 5
- H - Bit 6
- I - Bit 7
- K - Bit 8 (MSB)
- P - Pressure signal (pressure sensor
output 0-10V for the pressure range
in question)
- R - Not connected