

GENERAL

Fluid Air or neutral gas, filtered at 5 µm, without condensate, lubricated or not

Maximum allowable pressure (MAP) 10 bar

Fluid temperature +5°C to +40°C

Ambient temperature +5°C to +40°C

Flow coefficient (as per ISO6358) when fully open
C: 3,29x10⁻⁸ m³/s.Pa (sonic conductance)
b: 0,44 (critical pressure ratio)

Flow (Qv at 6 bar) 1400 l/min (ANR), when fully open

Max leakage (at 6 bar) 50 l/min (ANR) (setpoint at 0V)

Setpoint - analog + or - 10 V (impedance 100 kΩ)

Mechanical response time 5 ms (at 50% amplitude)

Bandwidth 150 Hz (at -3 dB, and at 50% amplitude)



C

CONSTRUCTION

Body treated light alloy

Internal parts treated light alloy

ELECTRICAL CHARACTERISTICS

connection Ø	stabilised voltage (1)	max. power (W)	max. current (2) (mA)	insulation class	degree of protection	electrical connection
G 1/4	24 V = +/-10%	30	1250	F	IP 65	7-pin plug-in connector DIN 43651

(1) Max ripple: 10%
 Electromagnetic compatibility: electrostatic discharge IEC 801-2 level 3
 fast electrical transience (coupling clip) IEC 801-4 level 3

SPECIFICATIONS

Ø connection	"failsafe" function on loss of power	operating pressure (bar)	flow at 6 bar (l/min) (ANR)	catalogue number
G 1/4	<p>pressure released (open center)</p>	0 - 10	1400	60700005
	<p>flow held (closed center)</p>	0 - 10	1400	60700006

OPTION

Floating input _____ catalogue number: **010643**
 Common mode voltage accepted: ± 24V to ground

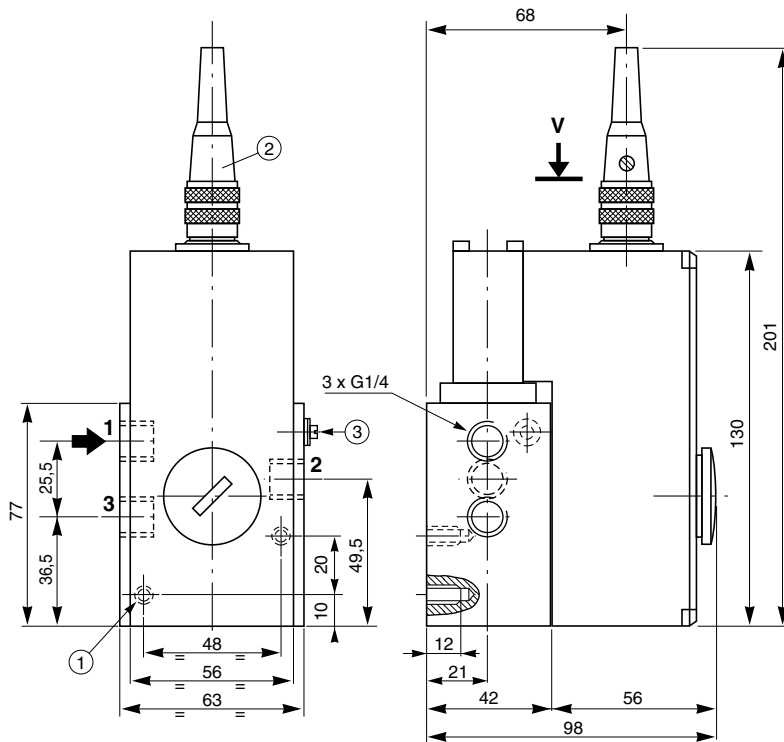
ACCESSORIES (see page P300-8)

1 turn or 10 turn potentiometer
 Pressure sensor

00252GB-2005/R01
 Availability, design and specifications are subject to change without notice. All rights reserved.

DIMENSIONS (mm), WEIGHT (kg)

Weight: 1,1 kg

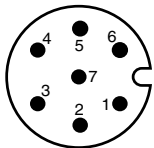


- ① Bottom attachment: 2 ØM5 holes
Tapped depth: 12 mm
- ② Electric connection by plug-in connector
- ③ External ground terminal

CONNECTOR WIRING

analog setpoint version

view from "V"
(solder side of female connector)



- 1 - +24V power supply
- 2 - Ground (power supply)
- 3 - + setpoint input
- 4 - Ground (setpoint)
- 5 - Not connected
- 6 - Not connected
- 7 - Not connected