

FEATURES

- Together with an amplifier plug and a separate pressure detector, this valve is the equivalent to a SENTRONIC proportional valve.
- This modular arrangement allows the components to be built into specific regulation systems. Installation of the proportional valve allows a higher ambient temperature range than the SENTRONIC proportional valve.

GENERAL

Fluid	Air or neutral gas, filtered at 50 µm, lubricated or not
Maximum allowable pressure (MAP)	8 or 16 bar (G1/4) 12 bar (G1/2 - G1)
Control range	0-6 or 0-16 bar (G1/4) 0-12 bar (G1/2) - 0-10 bar (G1)
Fluid temperature	-10°C to +60°C
Ambient temperature	-10°C to +60°C
Flow (Qv at 6 bar)	700 to 5600 l/min (ANR)

CONSTRUCTION

Body	anodised aluminium
Internal parts	stainless steel and brass
Seals	NBR (nitrile)



C

ELECTRICAL CHARACTERISTICS

nominal diameter DN (mm)	stabilised voltage (1)	max. power (W)	max. current (mA)	insulation class	degree of protection	electrical connection
6 12 20	24 V = +/-10%	24 34 44	1000 1400 1800	F	IP 65	spade plug size 30 connector, ISO4400/EN175301-803, form A, rotatable by 90°

(1) Max. ripple: 10 %

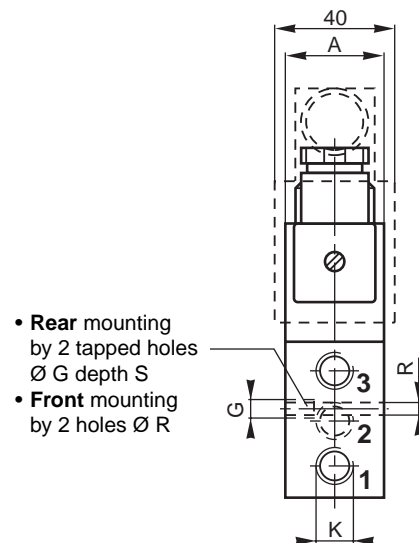
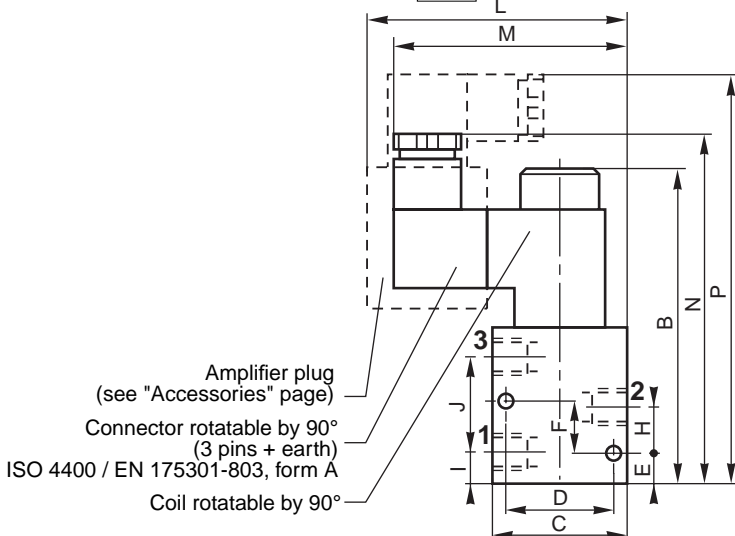
SPECIFICATIONS

Ø connection	Ø orifice (mm)	flow		control range (bar)	maximum allowable pressure (MAP) (bar)	catalogue number
		Kv coefficient	at 6 bar (l/min) (ANR)			
G 1/4	6	10	700	0 - 6	8	60200002 (2)
				0 - 16	16	60200001
G 1/2	12	20	1400	0 - 12	12	60200004
G 1	20	80	5600	0 - 10	12	60200007

(2) Low hysteresis version

OPTIONS: FPM seals - catalogue number: **460594**

DIMENSIONS (mm), WEIGHT (kg)



Ø nominal	A	B	C	D	E	F	G	H	I	J	K	L	M	N	P	R	S	weight
6	35	115	52	43	10	20	M5	16	11	34	G1/4	107	82	123	153	4	10	0,700
12	45	151	70	57,5	12	28	M6	22,5	15	48,5	G1/2	119	96	151	190	4,5	10	1,500
20	60	188	96	79	15	33	M8	30,5	20	60	G1	-	116	184	-	6,5	15	3,300