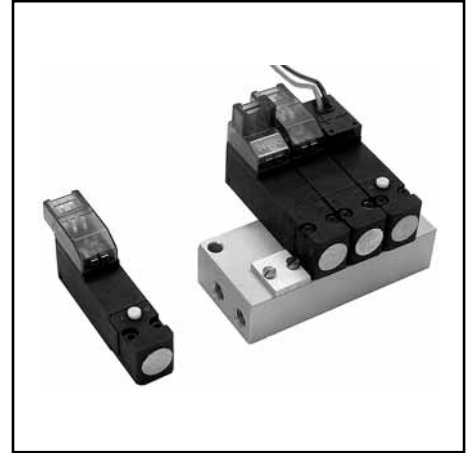


GENERAL

Fluid	Air or neutral gas, non-lubricated, filtered at 25 µm
Operating pressure	10 bar max.
Ambient temperature	+5°C to +50°C
Flow (Qv at 6 bar)	See table below
Manual operator	Consult us
Switching time	10 ms

CONSTRUCTION

Body	PA (polyamide) MXD6
Internal parts	Stainless steel, nickel-plated steel, synthetic material, aluminium
Seals	NBR (nitrile), FPM (fluoroelastomer) on request

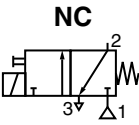


ELECTRICAL CHARACTERISTICS

voltage ± 10 % (other voltages on request)	power ratings ¹⁾		insulation class	degree of protection	electrical connection
	inrush	holding			
24V =	3,2 W	1,3 W	F	IP40	connector with 2 0,5 mm ² lead wires, or cable ends, 0,5 m long
12 V =					

The solenoid valves are designed for continuous operation within the maximum ambient temperature limits.
1) The valves are provided with power save electronics and LED which switch to holding power after 100 msec.

SPECIFICATIONS

symbol	orifice size (mm)		flow		operating pressure (bar)		consumption (W)	type of electrical connection (*)	catalogue number
	1 → 2	2 → 3	at 6 bar l/min (ANR)	coeff. Kv	min.	max.			
	1,0	1,0	13	0,20	0	10	1,3	1	18805001
								2	18805002
								3	18805003
								4	18805004
								5	18805005
	1,3	1,3	29	0,45	0	6	1,3	1	18805006
								2	18805007
								3	18805008
								4	18805009
								5	18805010
	1,6	1,6	42	0,65	0	3,5	1,3	1	18805011
								2	18805012
								3	18805013
								4	18805014
								5	18805015
	1,9	1,9	48	0,74	0	2,0	1,3	1	18805016
								2	18805017
								3	18805018
								4	18805019
								5	18805020

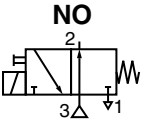
(*) Type 1,2,3, 4 and 5 with LED and power save electronics
1 = horizontal, width 5,08 mm
2 = vertical, width 5,08 mm

3 = horizontal, width 2,54 mm
4 = vertical, width 2,54 mm
5 = Cable ends, 0,5 m long, 0,25 mm²

00233GB-2008/R01
Availability, design and specifications are subject to change without notice. All rights reserved.

E

SPECIFICATIONS

symbol	orifice size (mm)		flow		operating pressure (bar)		consumption (W)	type of electrical connection (*)	catalogue number
	1 → 2	2 → 3	at 6 bar l/min (ANR)	coeff. Kv	min.	max.			
	1,0	1,0	13	0,2	0	8	1,3	1	18805021
								2	18805022
								3	18805023
								4	18805024
	1,3	1,3	29	0,45	0	4	1,3	1	18805025
								2	18805026
								3	18805027
								4	18805028
	1,6	1,6	42	0,65	0	1,5	1,3	1	18805029
								2	18805030
								3	18805031
								4	18805032
	1,9	1,9	48	0,74	0	0,5	1,3	1	18805033
								2	18805034
								3	18805035
								4	18805036
								1	18805037
								2	18805038
								3	18805039
								4	18805040

(*) Type 1,2,3, 4 and 5 with LED and power save electronics
 1 = horizontal, width 5,08 mm
 2 = vertical, width 5,08 mm

3 = horizontal, width 2,54 mm
 4 = vertical, width 2,54 mm
 5 = Cable ends, 0,5 m long, 0,25 mm²

DIMENSIONS (mm), WEIGHT (kg)

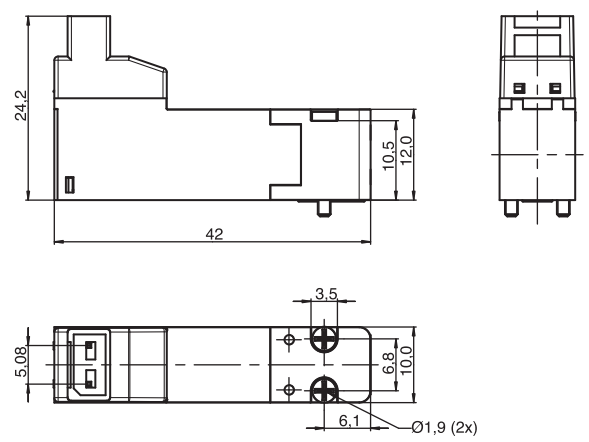
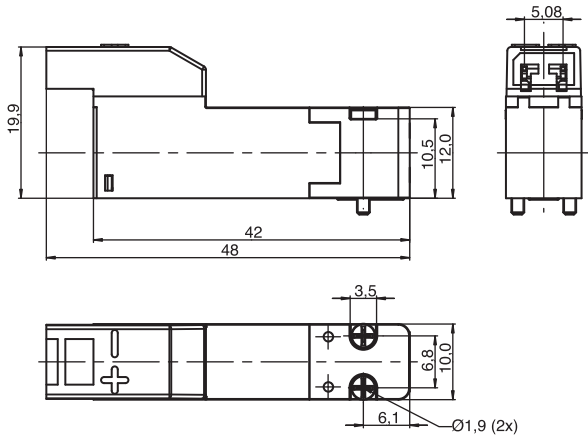


Scale 1

weight
0,0017

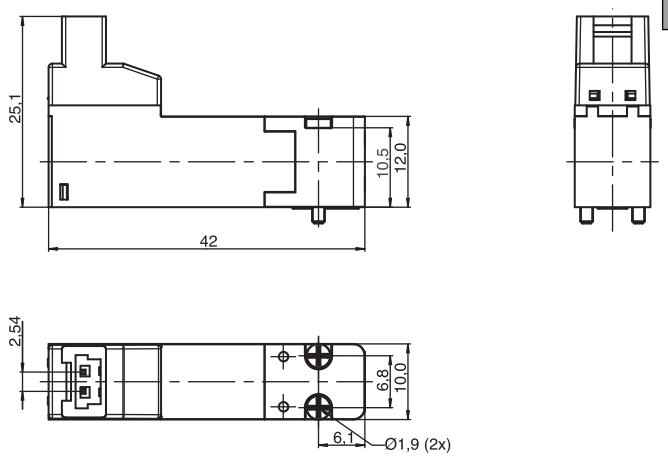
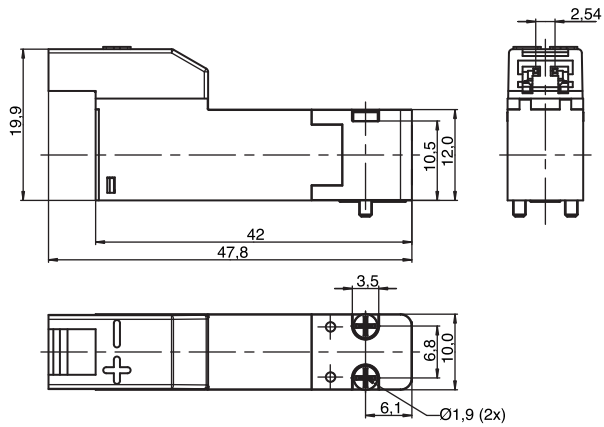
type 1

type 2



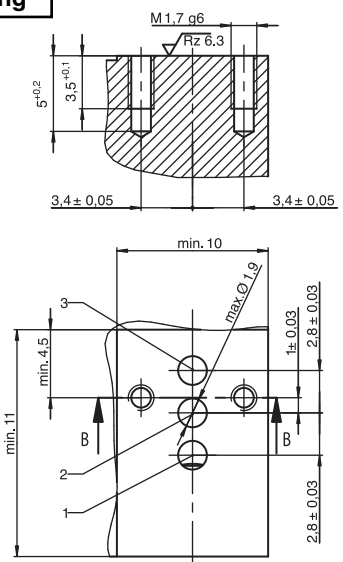
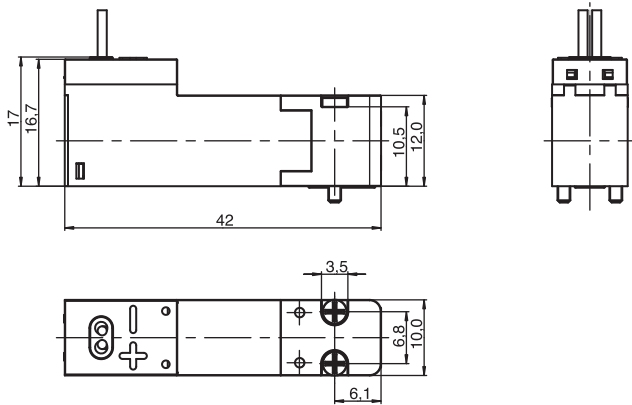
type 3

type 4




type 5

flange facing



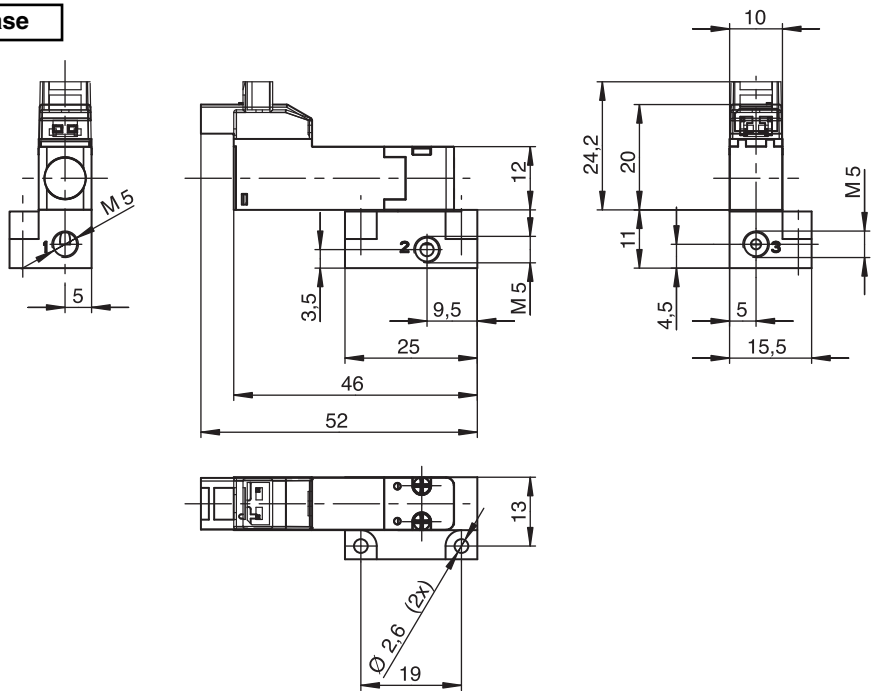
E

00233GB-2008/R01
Availability, design and specifications are subject to change without notice. All rights reserved.

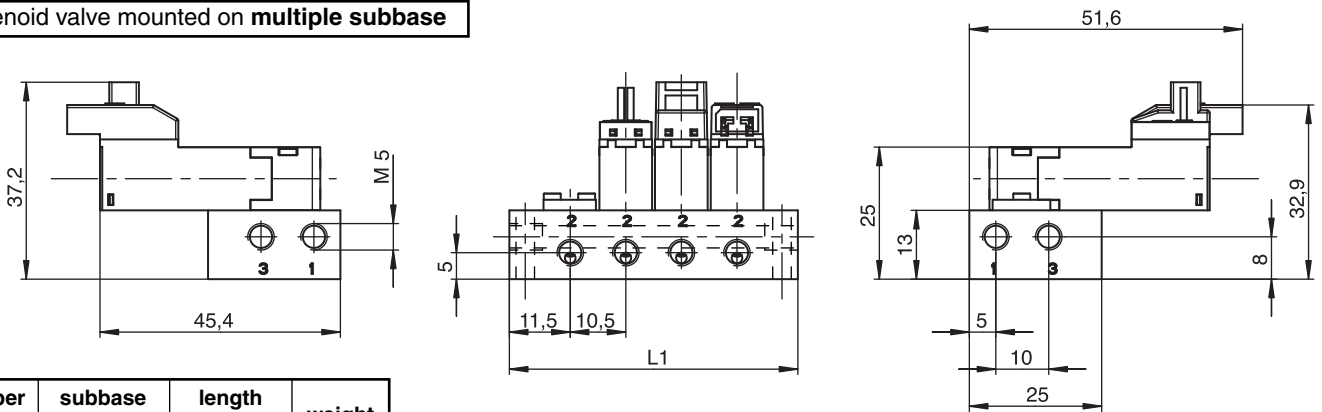
DIMENSIONS (mm), WEIGHT (kg) 

solenoid valve mounted on single subbase

number of valves	subbase catalogue number*	weight
1	35300207	0,027



solenoid valve mounted on multiple subbase



number of valves	subbase catalogue number*	length		weight
		L1	L2	
2	35300198	35,7	29,7	0,066
3	35300199	46,2	40,2	0,091
4	35300200	56,7	50,7	0,116
5	35300201	67,2	61,2	0,141
6	35300202	77,7	71,7	0,167
7	35300203	88,2	82,2	0,191
8	35300204	98,7	92,7	0,216
9	35300205	109,2	103,2	0,242
10	35300206	119,7	113,7	0,268

A : Blanking plate, **cat. no. 88135305**

* The connectors must be ordered **separately**, please indicate the quantity and one of the following codes:

Connector, 2 wires

Distance between contacts 5,08 mm - Length 0,5 m - **cat. no.: 88118801**
 - Length 1,5 m - **cat. no.: 88118802**
 - Length 3 m - **cat. no.: 88118803**

Distance between contacts 2,54 mm - Length 0,5 m - **cat. no.: 88118806**
 - Length 1,5 m - **cat. no.: 88118807**
 - Length 3 m - **cat. no.: 88118808**

