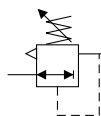


PRESSURE REGULATOR

- Board-mounting available (drilling Ø12,2 mm)
- Control range 0,5 to 8 bar
- Body with two optional ØM5 side-outlets



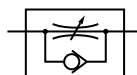
PRESSURE GAUGE

Back coupling R1/8



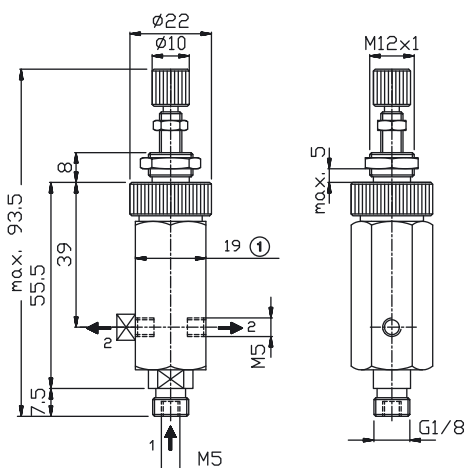
FLOWRATE REDUCING-VALVE

- In line, fitted ØM3
- Flowrate reducing-valve orientable, directly adjustable on cylinder, ØM3



Description	Connection	Control range (bar)	Flow (l/min - ANR)	Allowable temperature	Materials	CODES
Pressure regulator	Input : female M5 or male G 1/8 Output : female 2 x M5	0,5 - 8 ($p_{max}=16$)	120 (with $p_1=8$ bar $p_2=6$ bar)	0°C, + 60°C	Body: Al + Brass Internals parts: Brass + Steel Seal: Nitrile(NBR)	34201802
Pressure gauge Ø 40	R 1/8	0 - 10	—	-20°C, + 80°C	Body Black polyester	34300014
Reducing-valve for pressure gauge	G 1/8-M5	—	—	—	Nickeled brass	34600372
Flowrate reducing-valve	in line M3	0 - 8	30	+ 5°C, + 50°C	Body: Nickeled brass Rod: Nickeled brass	34600320

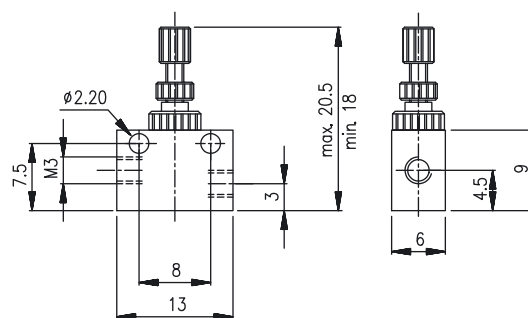
PRESSURE REGULATOR
Ø M5-G1/8



- Delivered with 1 screw-plug ØM5
- Weight : 90 g
- ① : Dimensions on flats

FLOWRATE REDUCING-VALVE Ø M3
IN LINE

Weight : 10 g



PRESSURE GAUGE

Weight : 0,065 kg

