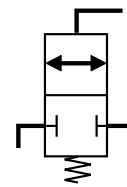


ORIENTABLE CYLINDER BLOCKING FITTING

port size G1/8 to G1/2
air-operated

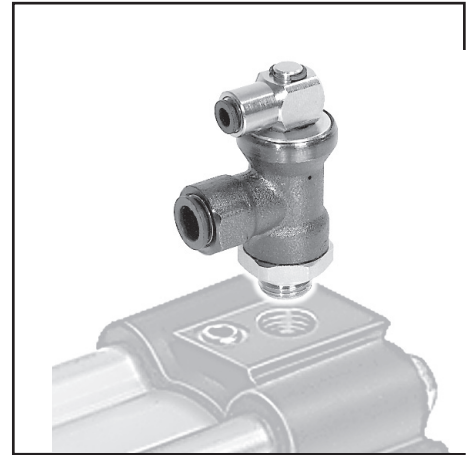


FEATURES

- Air-operated, monostable, normally-closed 2/2 valve
- Blocking fittings can be used to interrupt the circulation of compressed air
- **When installed in pairs**, they ensure that the cylinder stops as soon as pilot pressure is lost
- They can be used to lock the load in the event of loss of the pressure supply or to set a cylinder to intermediate stable positions

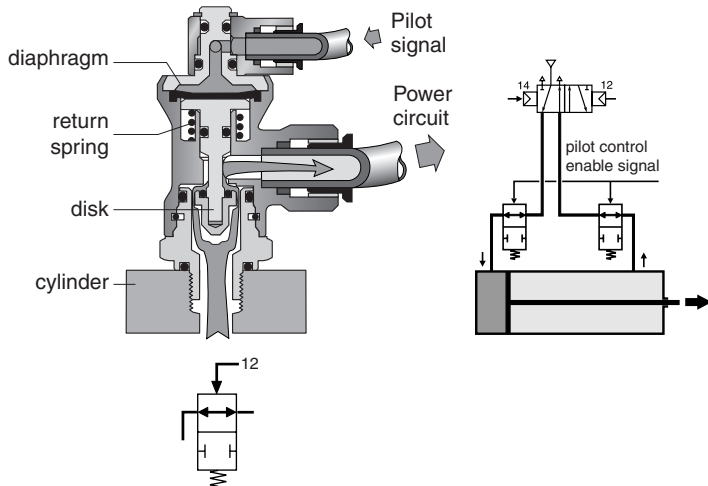
INSTALLATION

- Directly fitted to cylinder ports for compact installation
- Fully orientable on all ports to adapt to any pneumatic connection configuration

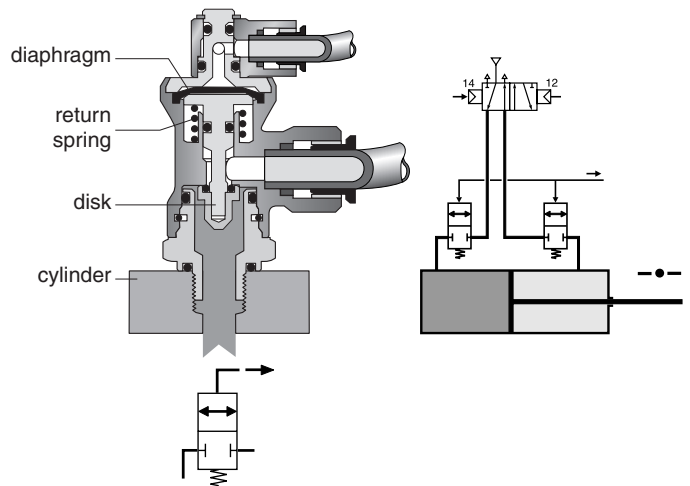


OPERATING PRINCIPLE

Cylinder in movement (pilot pressure applied)



Cylinder locked (no pilot pressure)

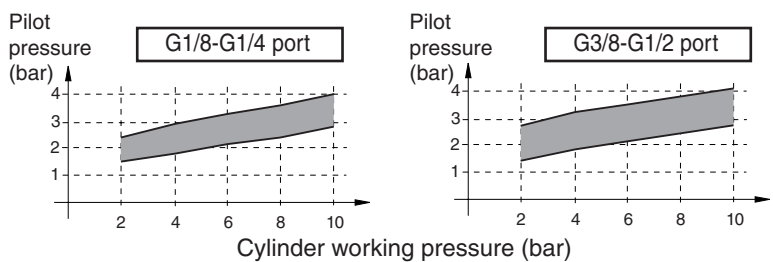


CONSTRUCTION

- MEDIUM : Lubricated or unlubricated filtered neutral gas or air
- OPERATING PRESSURE : 10 bar max.
- PILOT PRESSURE : 1.5 to 4 bar
- TEMPERATURE : -20°C to +70°C
- FLOW (Qv at 6 bar) : see table below
- LEAK RATE : <0.2 l/h
- BODY : treated brass
- DIAPHRAGM AND SEALS : Nitrile (NBR)

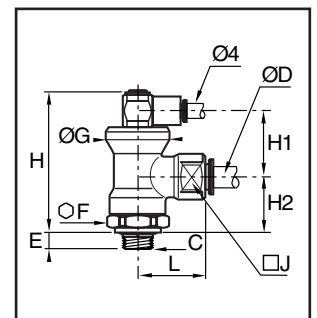
Piloting on/off thresholds

depending on cylinder working pressure



SPECIFICATIONS - DIMENSIONS

Port size ØC	Coupler size ØD	Flow at 6 bar l/min (ANR)	CODES	Dimensions								Weight (kg)
				E	F O	G Ø	H	H1	H2	J □	L	
G1/8	6	650	34602448	5	21	24	53	25	21	17	28	0,121
G1/4	6	650	34602449	5,5	21	24	53	25	21	17	28	0,124
G1/4	8	650	34602450	5,5	21	24	53	25	21	17	28	0,119
G3/8	8	650	34602451	5,5	24	28	56	25	23	27	35	0,122
G3/8	10	1600	34602452	5,5	24	28	56	25	23	27	35	0,197
G1/2	12	1600	34602453	7	24	28	56	25	23	27	38	0,203



Port connection pushing fittings and power at pilot ports

All leaflets are available on: www.ascojoucomatic.com