

FEATURES

Compact solenoid valve designed for direct mounting on an actuator (single-acting cylinders, valves etc.) with the following advantages:

- Easy to connect
- Shorter response time
- Installation simplified due to 360° rotatable supply port (1), solenoid valve body, coil and connector
- Reduced envelope
- Built-in exhaust reducer
- Auxiliary manual operator
- Accepts a range of size 22 solenoid heads
 - IP65 grade (2,5 W)
 - M12 connection, integrated Led and protection
 - Ex "m" for potentially explosive atmospheres

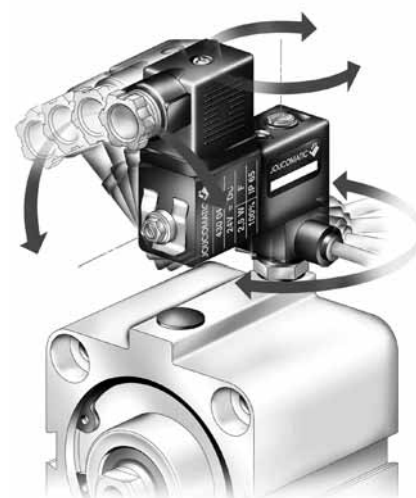


GENERAL

Fluid	Air or neutral gaz, filtered, lubricated or not
Operating pressure	0 to 10 bar
Maximum allowable pressure	16 bar
Fluid temperature	-10°C to +60°C
Ambient temperature	-10°C to +60°C
Flow (Qv at 6 bar)	See "specifications"
Response time	10 - 20 ms (on air ΔP = 6 bar)
Base	ISO 15218 (CNOMO 06.05.80/NF E 49066, size 30)

CONSTRUCTION

Body	PA + FV (glass filled polyamide 6/6)
Pad mounting body	Ports 1 and 2 on subbase, port 3 tapped M5
Exhaust	M5 female
Seals	NBR (nitrile)
Electrical equipment	Conforming to NF C79300 standard



E

ELECTRICAL CHARACTERISTICS

coil type	voltages	consumption		insulation class	protection degree	electrical connection
		inrush	hold			
size 22 with pins	~ 24V-48V-115V-230V/50Hz	6VA	3,5VA (2,5W)	F	IP 65	spade plug size 22 connector, DIN 43650, 11 mm industry standard B
	= 24V-48V	2,5W/3W (hot/cold)				
M12 with Led and protection	= 24V	2,5W/3W (hot/cold)		F	IP 65	M12 connection, 3 pins CNOMO E03.62.520.N

SPECIFICATIONS

orifice size (mm)	flow				allowable differential pressure (bar)		(M)	exhaust reducer on port 3	catalogue number		
	at 6 bar l/min (ANR)		coefficient Kv		min.	max.			with DIN connector	without DIN connector	with M12 connection
	1 → 2	2 → 3	1 → 2	2 → 3							
1,2	34	47	0,5	0,7	0	10	●	without	18900032	18900033	18900076
								with	18900047	18900043	18900077

(M) Manual operator : ● maintained

OPTIONS (overleaf)

OPTIONS

SOLENOID VALVE WITH COIL FOR DIN CONNECTOR

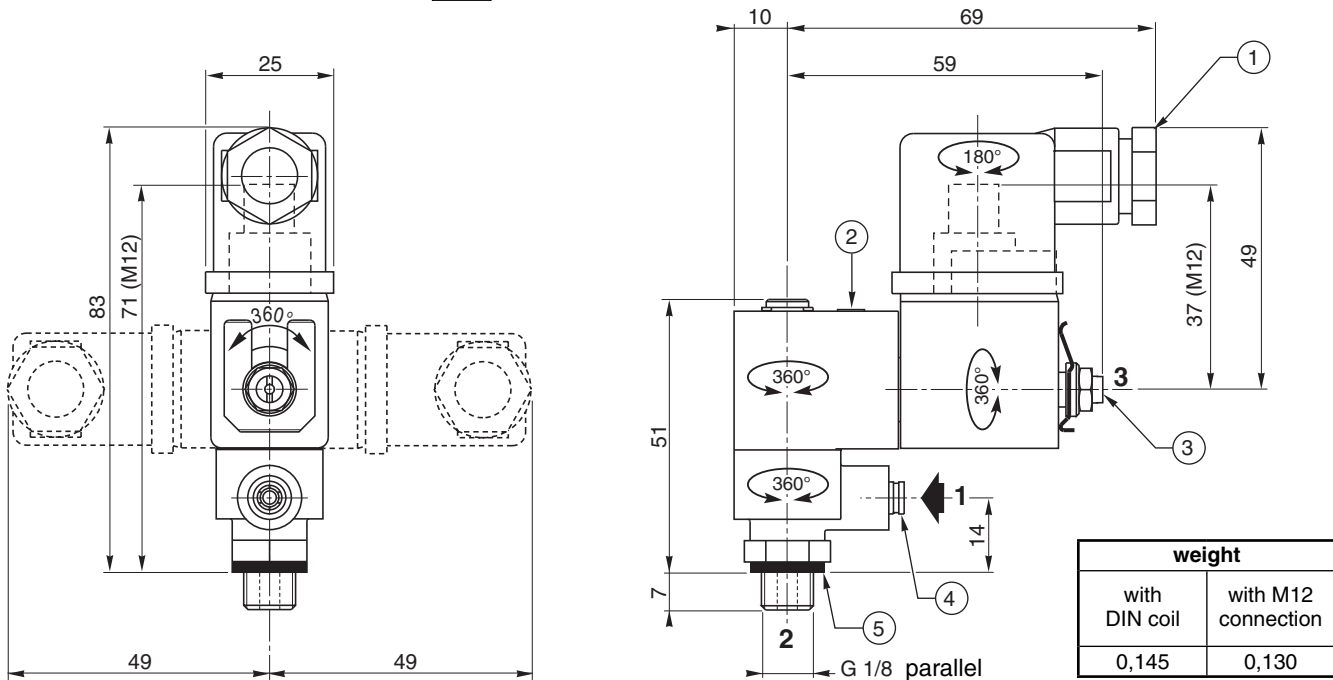
- Others voltages or 60 Hz frequency, on request
- Solenoid head Ex complying with European standards for explosive atmospheres "m" (PV), zones 1-21 catalogue numbers: **PV18901032** or **PV18901047**
- Solenoid head for dusty explosive atmospheres (DU), zone 22
- Solenoid head "CSA" approved
- Conformity to standard "UL", catalogue number: **612100**
- Exhaust port regulator ØM5 adaptable on port 3 - catalogue number: **34600380**
- Connector with cable outlet, 2m long: **88122413**
- Solenoid valve with built-in visual indicator and protection:

catalogue number solenoid valve without connector (see above)	catalogue number			
	connector with built-in visual indicator and VDR protection			
	24V (~/=)	48V (~/=)	115V (~/=)	230V (~/=)
+	88122405	88122406	88122407	88122408

SOLENOID VALVE WITH M12 CONNECTION COIL

- Exhaust port regulator ØM5 adaptable on port 3 - catalogue number: **34600380**
- Straight M12 connector with 5 female contacts, Ø4 to 6mm cable entry, catalogue number: **88100304**
- Straight M12 connector with 5 female contacts, Ø6 to 8mm cable entry, catalogue number: **88100256**
- Straight M12 connector with 5 female contacts, cable length 5m, catalogue number: **88130212**
- Right-angle M12 connector with 5 female contacts, cable length 5m, catalogue number: **88130213**

DIMENSIONS (mm), WEIGHTS (kg)



- ① Connector : size 22 rotatable by 180°
- ② Manual operator (maintained)
- ③ Adjustable exhaust flow reducer
- ④ Connection to pressure supply with quick-disconnect coupling for 4mm OD tube (coupling rotatable through 360° around Port 2)
- ⑤ Seal