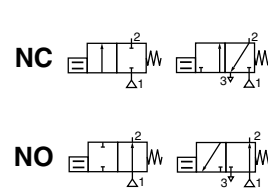


JOUCOMATIC

MINI PIEZO-VALVES PIEZOTRONIC

direct operated

ISO 15218 (CNOMO, size 15) interface
pad mounting body, M5, G1/8 or instant fittings subbase



2/2-3/3
Series
630

SPECIFICATIONS

FLUIDS : air or neutral gas, filtered at 25 µm, condensate free
: dow point -10°C

PRESSURE : 0 to 4 or 8 bar

MAX. ALLOWABLE PRESSURE (MAP) : 8 bar

FLUID TEMPERATURE : 0°C to +60° C

AMBIENT TEMPERATURE : 0°C to +60° C

STORAGE TEMPERATURE : -40°C to +60°C

BASE : ISO 15218 (CNOMO E06.36.120N, size15)
or ISO 15218 (CNOMO E06.05.80, size 30) with adapter

MOUNTING : on subbases ØM5, G1/8 or instant fittings

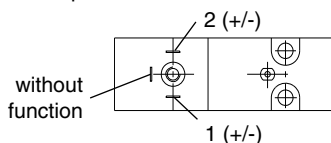
SERVICE LIFE : > 10⁹ cycles at 6 bar

MOUNTING POSITION : all

ELECTRICAL CONNECTION

version with pins

Non polarized solenoid valve



CONSTRUCTION

Body : synthetic material (PPS)

Internal parts : piezo ceramics

Sealings : nitrile (NBR)

Manual override : without or impulse type

Subbase : brass, polyamide, zinc diecast



Version with wires

Non polarized solenoid valve

ELECTRICAL CHARACTERISTICS

Voltage (Maximum ripple : 10 %)	Power consumption at 24 V		Response time	Protection degree	Electrical connection
	inrush	hold			
24 to 70 V AC/DC ±10%	0,6 W	0,007 W	50 ms (DC) 70 ms (AC)	IP 65	Spade plug size 15 connector, DIN 43650, 9,4 mm, industry standard B, rotatable by 90°, Option : with wires, length 1 m

Switching current = 25 mA/30ms

SPECIFICATIONS

Symbols Functions	Flow at 6 bar l/min (ANR)	Coefficient Kv	Allowable differential pressure (Δ p in bar)		(M)	catalogue number	
			min.	max.		PIEZOTRONIC with pins with standard connector	PIEZOTRONIC with 2 wires, 1m long
2/2 NC	6	0,086	0	8	X ▼	63000065 63000071	63000015 63000021
	6,5 ⁽¹⁾	0,12	0	4	X ▼	63000067 63000073	63000017 63000023
2/2 NO	6	0,086	0	8	X ▼	63000066 63000072	63000016 63000022
	6,5 ⁽¹⁾	0,12	0	4	X ▼	63000068 63000074	63000018 63000024
3/2 NC	7	0,10	2	8	X ▼	63000063 63000069	63000013 63000019
3/2 NO	6	0,086	2	8	X ▼	63000064 63000070	63000014 63000020

(M) Manual operator: X : without ▼ : Impulse

(1) Flow at 4 bar in l/min (ANR)

SUBBASES: Single subbase with lateral connection Ø M5 - cat no.: **88263002**

Single subbase - connection G1/8 - cat no.: **35300047**

Joinable subbase - connection G1/8 - cat no.: **35300048**

OPTION : Minivalve operated, intrinsically safe EEx ia, 12V - 24V DC

ACCESSORIES

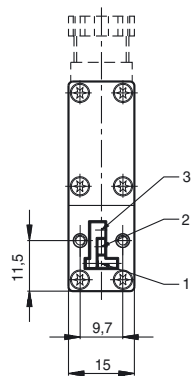
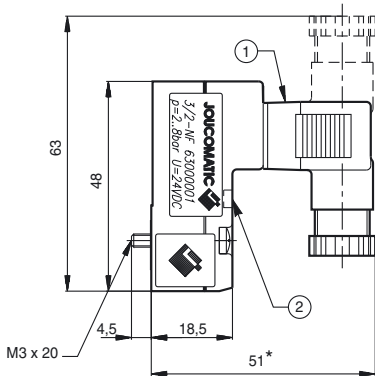
DESCRIPTION	catalogue number
Visual indicator LED (Caution, consumption 0,25W and voltage 24V max.)	88130401
Plug size 15 with 2 m cable	88143567
Plug size 15 with built-in visual indicator (LED), with 2 m cable 24V =/~ max.	88143580
Adapter for mounting PIEZOTRONIC on base ISO 15218 (CNOMO E06.05.80, size 30)	88263001

All leaflets are available on: www.asconumatics.eu

DIMENSIONS AND WEIGHTS

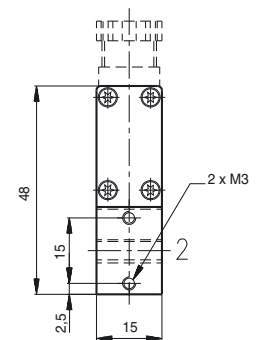
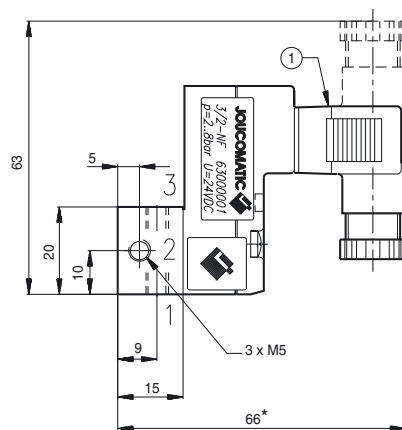
MINI PIEZO-VALVE WITH STANDARD CONNECTOR

Weight : 24 g without connector
34 g with connector



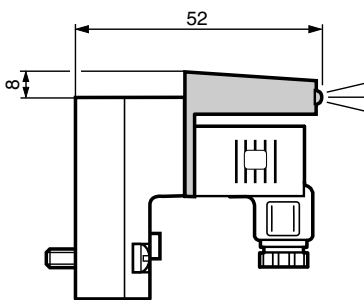
MINI PIEZO-VALVE ON SINGLE SUBBASE **88263002**

Weight : 45 g



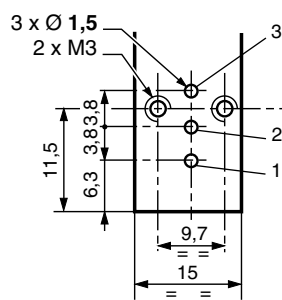
ASSEMBLY WITH LED INDICATOR

(accessory, rotatable x180°)



MOUNTING FACE

Subbase for mini piezo-valve
ISO 15218 (CNOMO
E06.36.120N, size15)



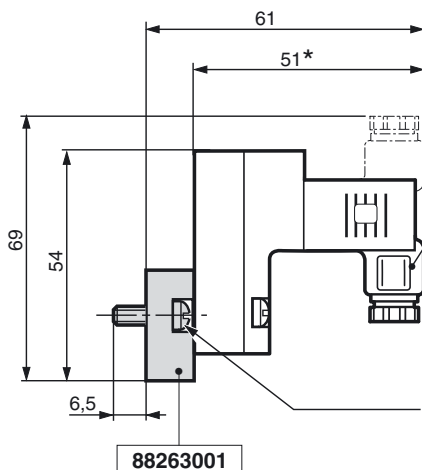
Single subbase connection :

Outlet (2) can be connected on the left or on the right of subbase ; closed unused port with a Ø M5 plug (supplied).

- ① Connector size 15 rotatable by 90°
- ② Manual operator by impulse
- (*) + 10 mm for clearance

MINI VALVE + Intermediate subbase (**Adapter CNOMO size 30** : cat no. : **88263001**)

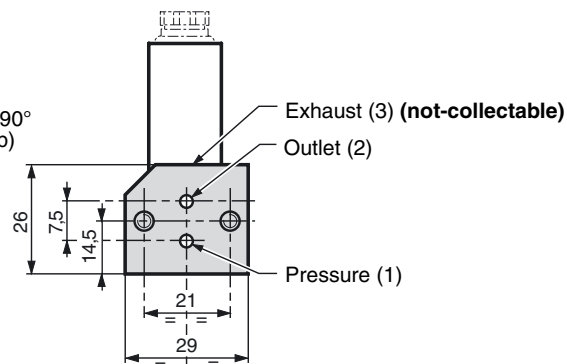
Total weight : 53 g



Connector rotatable x 90°
CM6 (Pg 7p)

Mounting
2 screws
CM4x10

88263001



* + 10 mm for clearance