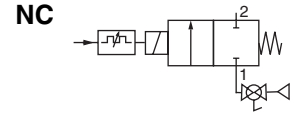




# SOLENOID OPERATED DRAIN VALVE ASSEMBLY WITH ELECTRONIC TIMER

integrated inlet filter,  
1/2" inlet, 1/4" outlet



2/2  
CDV

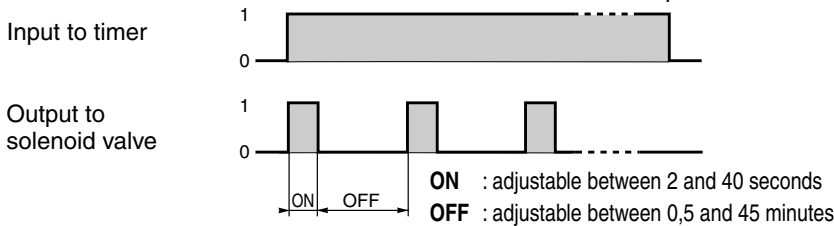
## FEATURES

- Solenoid valve with adjustable electronic timer, integrated manual shut-off and filter
- The electronic timer is particularly designed for automatic control of condensate draining periods at regular, adjustable intervals

## GENERAL

**Differential pressure**  
**Ambient temperature**  
**Max. viscosity**  
**Response time**  
**Electronic timer**

See "Specifications" [1 bar = 100 kPa]  
-10°C to +50°C  
40 cSt (mm<sup>2</sup>/s)  
8 - 20 ms  
Converts a continuous power input into a succession of ON and OFF periods



fluids (*)	temperature range (TS)	seals (*)
air, inert gas, water, oil	- 25°C to + 80°C	NBR (nitrile) FPM (fluoroelastomer)

## MATERIALS IN CONTACT WITH FLUID

(\*) Ensure that the compatibility of the fluids in contact with the materials is verified

	Solenoid valve 1/4	Drain 1/2
Body	Brass	Brass
Internal parts	Stainless steel	Brass
Spring	Stainless steel	-
Seat	Brass and stainless steel	-
Seals	FPM	NBR
Shading coil	Copper	-
Inlet filter	-	Stainless steel strainer

## ELECTRICAL CHARACTERISTICS

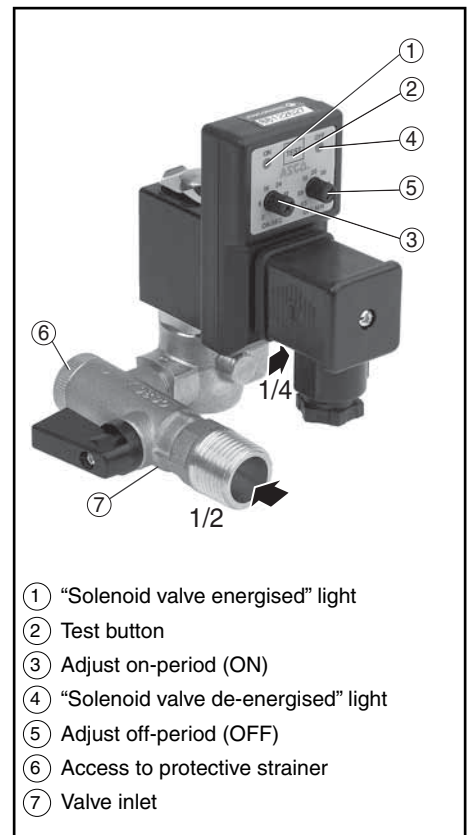
Coil insulation class	F
Coil connection	ISO 4400 / EN 175301-803, form A (for timer catalogue no. 88122627)
Connector	Spade plug (cable Ø 6-10 mm)
Connector specification	ISO 4400 / EN 175301-803, form A
Electrical safety	IEC 335
Electrical enclosure protection	Moulded IP65 (EN 60529)
Repeatability	± 0,1%
Scale accuracy	± 10%
Standard voltages	DC (-) : 24V - 48V AC (~) : 24V - 48V - 115V - 230V / 50 Hz

power ratings				operator ambient temperature range (TS) (C°)	replacement coil		type <sup>(1)</sup>
inrush ~ (VA)	holding ~ (VA) (W)		hot/cold = (W)		~	=	
55	23	10,5	9 / 11,2	-10 to + 50	230 V/50 Hz	24 V DC	01

<sup>(1)</sup> Refer to the dimensional drawings on the following page.

## SPECIFICATIONS

pipe size	orifice size (mm)	flow coefficient Kv (m <sup>3</sup> /h) (l/min)	operating pressure differential (bar)				power coil (W)		catalogue number of assembly consisting of solenoid valve, electronic timer and drain ~/=		
			min.	max. (PS)		~					=
				air (*)	water/oil (*)		~	=			
<b>NC - Normally closed</b>											
drain port: G 1/2 port 2 : (G*) 1/4	4,5	0,42	7	0	16	5	16	5	10,5	11,2	<b>CDVAE272A019</b>



### OPTIONS AND ACCESSORIES

- Other pipe threads are available on request
- Plug with visual indication and peak voltage suppression or with cable length of 2 m (see Solenoids, Coils & Accessories section)

### INSTALLATION

- The assembly can be mounted in any position without affecting operation
- Solenoid valves have 2 mounting holes in body (ØM4, depth 6 mm)
- 1/4 pipe connections (G\*) have standard combination thread according to ISO 228/1 and ISO 7/1. Pipe connections G 1/2 have standard thread according to ISO 228/1
- Installation/maintenance instructions are included with each assembly

### SPARE PARTS KIT

catalogue number	spare parts kit no.		
	solenoid valve ~/=	drain valve G 1/2	electronic timer
CDVAE272A019	C140040	88100914	88122627

### ORDERING EXAMPLES:

CDVA	E	272	A	019	230V / 50 Hz
CDVA	E	272	A	019	24V DC
prefix					voltage
pipe thread					
basic number					

### ORDERING EXAMPLES KITS:

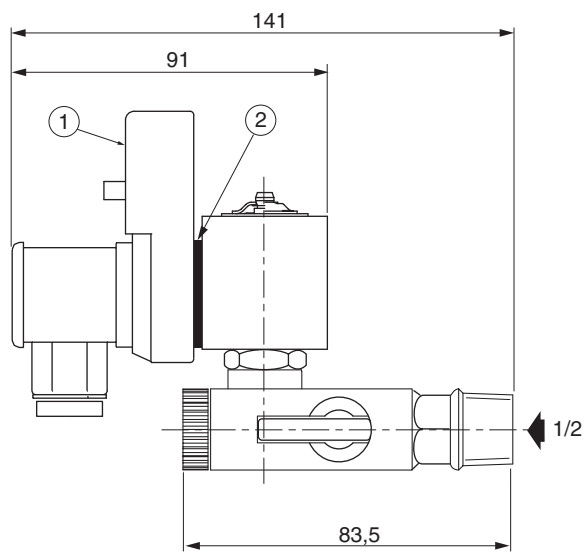
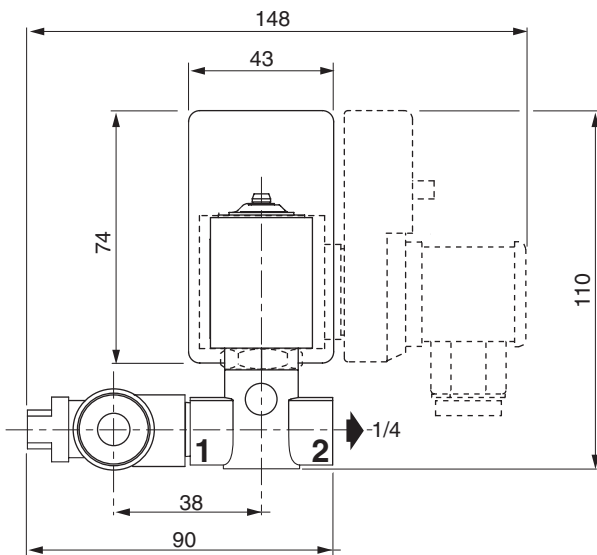
	C140040
basic number	

### DIMENSIONS (mm), WEIGHT (kg)



#### TYPE 01

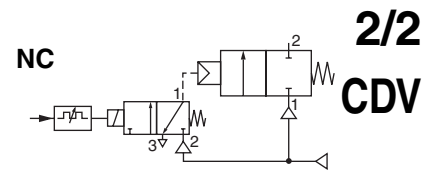
IEC 335 / ISO 4400  
Solenoid operated drain valve assembly with electronic timer 1/4 IP65



type	weight <sup>(1)</sup>
01	0,550

<sup>(1)</sup> Assembly with connector.

- ① Orientable electronic timer
- ② Seal and connection according to ISO 4400 / EN 175301-803, form A, for mounting of timer, catalogue number 88122627

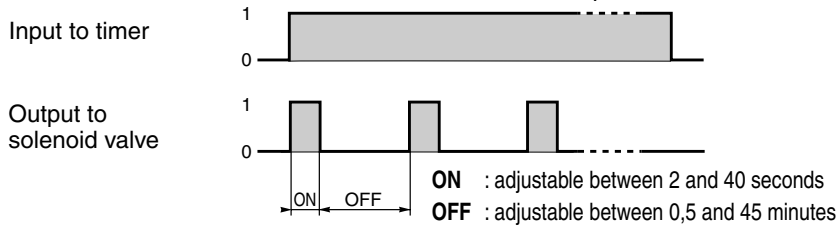


### FEATURES

- Drain valve 1/2 NC with solenoid pilot valve 3/2 NC and adjustable electronic timer for condensate draining applications (compressors etc.)
- The electronic timer is particularly designed for automatic control of condensate draining periods at regular, adjustable intervals
- The valve with stainless steel body is particularly suited for use with contaminated or corrosive fluids

### GENERAL

Differential pressure	See "Specifications" [1 bar = 100 kPa]
Max. pressure	16 bar
Max. viscosity	600 cSt (mm <sup>2</sup> /s)
Pilot fluid	Air, water, filtered
Pilot pressure	See "Specifications"
Ambient temperature	-10°C to +50°C
Pilot fluid temperature	-10°C to +50°C
Electronic timer	Converts a continuous power input into a succession of ON and OFF periods



drain valve: fluids (*)	temperature range (TS)	seals (*)
air, inert gas, water, oil	- 10°C to + 140°C	PTFE

### MATERIALS IN CONTACT WITH FLUID

(\*) Ensure that the compatibility of the fluids in contact with the materials is verified

<b>Body</b>	<b>Solenoid pilot 1/8</b>	<b>Drain valve E290 1/2</b>
Brass	Brass	AISI 316L
<b>Stuffing box body</b>	-	AISI 316L
<b>Internal parts</b>	Stainless steel	Stainless steel
<b>Spring</b>	Stainless steel	-
<b>Stuffing box packing</b>	-	PTFE chevrons
<b>Seat</b>	Brass and stainless steel	-
<b>Seals</b>	NBR	FPM, PTFE
<b>Shading coil</b>	Copper	-

### OTHER MATERIALS

<b>Operator</b>	-	PA reinforced
-----------------	---	---------------

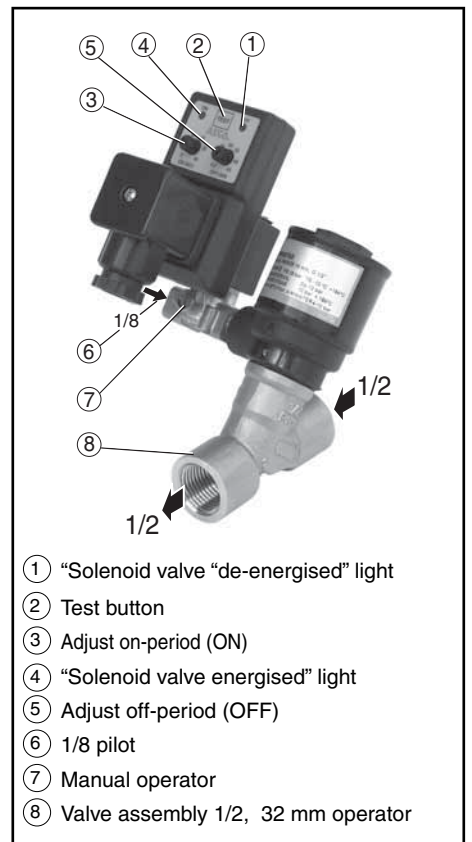
### ELECTRICAL CHARACTERISTICS

<b>Coil insulation class</b>	F
<b>Coil connection</b>	DIN 43650, 11mm, industry standard B (for timer catalogue no. 88122638)
<b>Connector</b>	Spade plug (cable Ø 6-10 mm)
<b>Connector specification</b>	ISO 4400 / EN 175301-803, form A
<b>Electrical safety</b>	IEC 335
<b>Electrical enclosure protection</b>	Moulded IP65 (EN 60529)
<b>Repeatability</b>	± 0,1%
<b>Scale accuracy</b>	± 10%
<b>Standard voltages</b>	DC (=) : 24V - 48V
(Other voltages and 60 Hz on request)	AC (~) : 24V - 48V - 115V - 230V / 50 Hz

power ratings			operator ambient temperature range (TS)	replacement coil		type <sup>(1)</sup>	
inrush	holding	hot/cold =		~	=		
(VA)	(VA)	(W)	(W)	(C°)	230 V/50 Hz	24 V DC	
12	6	4	4,5 / 5,5	-10 to + 50	43005429	43005413	01

### SPECIFICATIONS

pipe size	DN	flow coefficient Kv		pilot pressure (bar)		operating pressure differential (bar)			operator dia. (mm)	catalogue number of assembly consisting of drain valve, solenoid pilot valve and electronic timer
		(m <sup>3</sup> /h)	(l/min)	min.	max.	min.	max. (PS)			
(G*)	(mm)	(m <sup>3</sup> /h)	(l/min)	min.	max.	min.	air, inert gas (*)	water/oil (*)	(mm)	
<b>NC - Normally closed, fluid entry under the disc</b>										
drain valve: 1/2	15	4,1	68	4	10	0	12	12	32	<b>CDVAE290A792</b>



### OPTIONS AND ACCESSORIES

- Other pipe threads are available on request
- Optical position indicator on dia. 32 mm operator
- Plug with visual indication and peak voltage suppression or with cable length of 2 m (see Solenoids, Coils & Accessories section)

### INSTALLATION

- The assembly can be mounted in any position without affecting operation
- Compatible with ASTM oils 1, 2 and 3
- Pipe connections (G\*) have standard combination thread according to ISO 228/1 and ISO 7/1
- Installation/maintenance instructions are included with each assembly

### SPARE PARTS KIT

catalogue number	spare parts kit no.	
	drain valve Ø 32 mm	electronic timer
CDVAE290A792	<b>C140101</b>	<b>88122638</b>

### ORDERING EXAMPLES:

CDVA	E	290	A	792	230V / 50 Hz
CDVA	E	290	A	792	24V DC
prefix					voltage
pipe thread					
basic number					

### ORDERING EXAMPLES KITS:

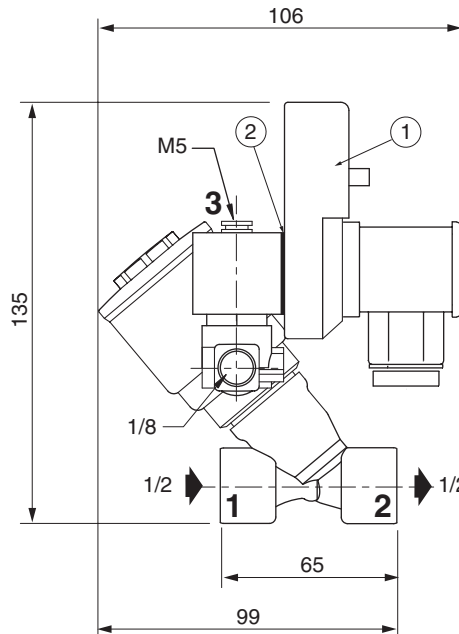
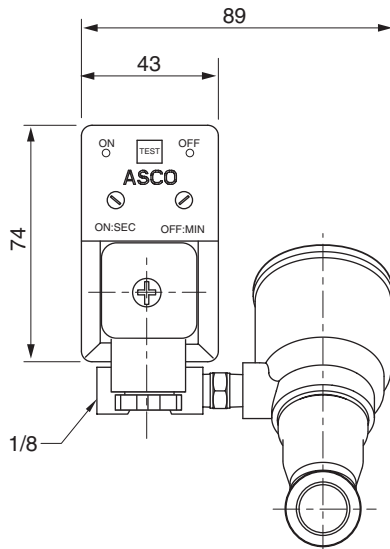
	C140101
basic number	

### DIMENSIONS (mm), WEIGHT (kg)



#### TYPE 01

32 mm operator  
Fluid entry at port 2 under the disc  
Pilot operated drain valve assembly with electronic timer  
1/8 IP65



type	weight <sup>(1)</sup>
01	0,555

<sup>(1)</sup> Assembly with connector.

- ① Orientable electronic timer
- ② Seal and connection according to DIN 43650, 11 mm, industry standard B, for mounting of timer - catalogue number 88122638