

FEATURES

- All the exhaust ports of the spool valve are connectable, providing better environmental protection. Particularly recommended for sensitive areas, such as clean rooms, and applications in the pharmaceutical and food processing sectors
- The valves offer environmental protection against the ingress of liquids, dusts or other foreign matter (environmentally-protected construction)
- Solenoid pilot valve with spade-plug connector type DIN 43650, industry standard, form B with 9,4 mm spacing, or to ISO 15217/DIN 43650 form C with 8 mm spacing. Versions with M12 connector and cable ends
- Solenoid pilot valve, CNOMO size 15 interface, with or without integral LED and electrical protection. LED indicator visible from 3 sides
- The monostable spool valves have TÜV certified IEC 61508 Functional Safety data and can be used up to SIL 4/AK 7
- The solenoid valves satisfy all relevant EC directives

GENERAL

Differential pressure	2 - 10 bar [1 bar = 100 kPa]
Flow (Qv at 6 bar)	860 l/min (ANR)
Pilot mounting interface surface	ISO 15218 (CNOMO E06.36.120N, size 15)

fluids (*)	temperature range (TS)	seal materials (*)
air, inert gas, filtered	- 25°C to + 40°C ⁽⁴⁾	VMQ (silicone) + PUR (polyurethane)

⁽⁴⁾ -40°C for air operated versions.

MATERIALS IN CONTACT WITH FLUID

(*) Ensure that the compatibility of the fluids in contact with the materials is verified

Body, end cover, seats	Brass
Spool valve internal parts	Brass, stainless steel, POM
Pilot body	PAA
Pilot internal parts	POM, PET, stainless steel and brass
Pneumatic interface seal	TPE

ELECTRICAL CHARACTERISTICS

Coil insulation class	F
Connector (type 05/06)	Spade plug (cable Ø 6-7 mm)
Connector specification	Type 05: DIN 43650, 9,4 mm, industry standard B Type 06: ISO 15217 / DIN 43650, 8 mm, form C Type 07: M12 (CNOMO E03.62.520.N) Type 08: cable ends (length 0,3 m), EN 60730
Connection	IEC 335
Electrical safety	Moulded IP65 [05/06] or IP67 [07/08] (EN 60529)
Electrical enclosure protection	DC (=): 24V
Standard voltages	AC (-): 24V-115V-230V / 50 Hz (prefixes CFSC/CFSD)

prefix option	power ratings				operator ambient temperature range (TS) (C°)	voltage		type ⁽¹⁾
	inrush ~ (VA)	holding ~ (VA) (W)		hot/cold = (W)		~ (V)	= (V)	
		(VA)	(W)					
CFSC	1,4	1,2	1,1	1/1,2	-25 to + 60	24-115	24	05-06
	2,1	1,6	1,5	-	-25 to + 60	230	-	
CFSD	1,8 ⁽²⁾	1,6 ⁽²⁾	1,5 ⁽²⁾	1,15/1,35 ⁽²⁾	-25 to + 60	24-115	24	
	2,5 ⁽²⁾	2 ⁽²⁾	1,9 ⁽²⁾	-	-25 to + 50	230	-	
CFVT ⁽³⁾	-	-	-	1,15/1,35	-25 to + 60	-	24	07
CFL ⁽³⁾	-	-	-	-	-	-	-	08

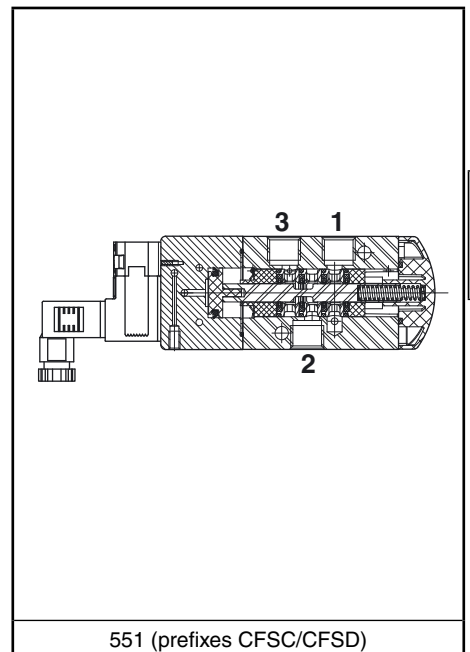
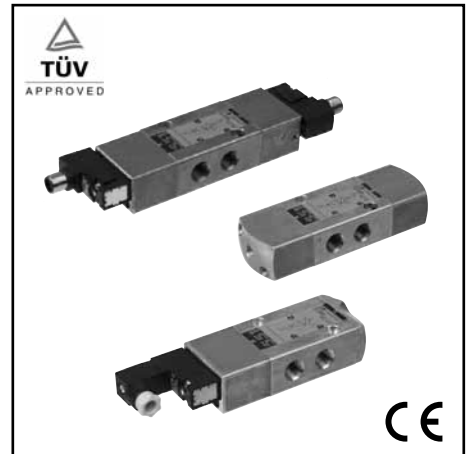
⁽¹⁾ Refer to the dimensional drawings on the following page.

⁽²⁾ Values with LED indicator and protection, use TPL 20674.

⁽³⁾ Supplied with LED indicator and protection.

SPECIFICATIONS

pipe size	orifice size	flow coefficient Kv	operating pressure differential (bar)				power coil (W)	catalogue number				options			
			min.	max. (PS)		connector DIN 43650, 9,4 mm (type 05)		connector DIN 43650, 8 mm (type 06)	M12 (type 07)	cable ends (type 08)	maintained man. operator	impulse man. operator			
				~	=								air (*)		
G	(mm)	(m³/h)/(l/min)					~	=	~/=	~/=	=	=			
NC - Normally closed, solenoid air pilot operated - spring return (monostable)															
1/4	6	0,75	12,5	2	10	10	1,1..1,9	1,2/1,35	CFSCG551C507	CFSDG551C507	-	-	MS/MO	-	
							-	1,35	-	-	CFVTG551C507	CFLG551C507	MS/MO	-	
NC - Normally closed, solenoid air pilot operated and return (bistable)															
1/4	6	0,75	12,5	2	10	10	1,1..1,9	1,2/1,35	CFSCG551C508	CFSDG551C508	-	-	MS/MO	-	
							-	1,35	-	-	CFVTG551C508	CFLG551C508	MS/MO	-	
NC - Solenoid air pilot operated - spring return (monostable), certified IEC 61508 Functional Safety data															
1/4	6	0,75	12,5	2	10	10	1,1..1,9	1,2/1,35	CFSCG551C507SL	CFSDG551C507SL	-	-	-	MO	-
							-	1,35	-	-	CFVTG551C507SL	CFLG551C507SL	-	MO	-



E

OPTIONS

- Versions: - pilot air operated, spring return, catalogue numbers: **G551A107** (1/4)
- pilot air operated and return, catalogue numbers: **G551A108** (1/4)
- Suffix "GD" (air operated only, ATEX 2GD c)
- Explosionproof enclosures for use in zones 0/20-1/21-2/22, categories 1-2-3 to ATEX Directive 94/9/EC (see "Explosionproof Solenoids" section)
- LED and protection, prefixes CFSC / CFSD, use TPL number: TPL 20674 (e.g.: CFSDXG551C507**TPL20674**)
- Straight M12 connector: cable entry Ø4 to 6 mm (catalogue number **88100304**); with 2 m cable length (catalogue number **88100726**); with 5 m cable length (catalogue number **88130212**)
- Supply rail
- Other pipe connections are available on request
- Plug with visual indication and peak voltage suppression or with cable length of 2 m (see Solenoids, Coils & Accessories section)

INSTALLATION

- The solenoid valves can be mounted in any position without affecting operation
- Do not connect the pressure supply to the exhaust port 3. The "environmentally-protected" construction is not adapted for a "distributing" function or use in NO function. Contact us for functions available in specific versions
- It is necessary to connect pipes or fittings to the exhaust ports to protect the internal parts of the spool valve and its pneumatic operator if used outside or in harsh environments (dusts, liquids etc.)
- IEC 61508 Functional Safety (suffix SL), allowable temperature range: -40°C to +60°C. For probability of failure, contact us
- Threaded pipe connection is standard: G = G (ISO 228/1)
- Valves with suffix "SL" are supplied with specific exhaust protectors
- Installation/maintenance instructions are included with each valve

ACCESSORIES

series	pipe size	exhaust protector (stainless steel)
551	G 1/4	34600419 ⁽¹⁾
551	M5	34600484 ⁽¹⁾

⁽¹⁾ Supplied with suffix "SL".

ORDERING EXAMPLES:

CFSC	G	551	C	507	230V / 50 Hz	
CFSD	G	551	C	507	115V / 50 Hz	
CFVT	G	551	C	508	24V / DC	
CFL	G	551	C	507	SLMO	230V / 50 Hz
	G	551	A	107	SL	

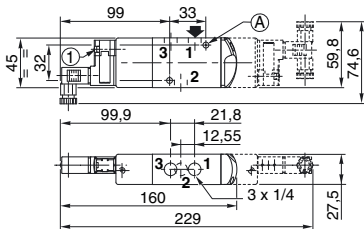
prefix — pipe thread — basic number — voltage — suffix

DIMENSIONS (mm), WEIGHT (kg)



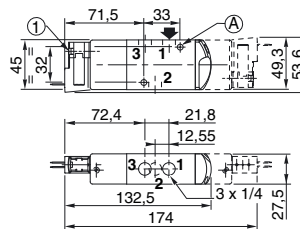
TYPE 05-06

Prefixes "CFSC" / "CFSD"
Polyarilamide
IEC 335 / IP65
Type 05: DIN 43650, 9,4 mm
Type 06: DIN 43650, 8 mm



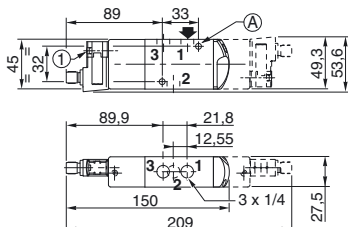
TYPE 08

Prefix "CFL"
Polyarilamide
IEC 335 / IP67
Cable ends (length 0,3 m)



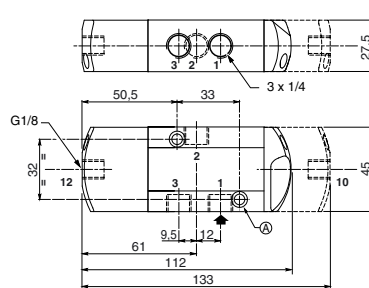
TYPE 07

Prefix "CFVT"
Polyarilamide
IEC 335 / IP67
M12



TYPE 09

No prefix
Air operated version
Use suffix "SL", "GD" or "GDSL"
IP65



type	prefix option	weight ⁽²⁾	
		monostable	bistable
05	CFSC	0,883	1,091
06	CFSD	0,883	1,091
07	CFVT	0,883	1,091
08	CFL	0,876	1,077
09	-	0,831	0,987

① Manual operator location
2 mounting holes:

Ⓐ 5,3 mm dia. (Spotfacing: 9 mm dia., depth 5 mm)

⁽²⁾ Prefixes CFSC/CFSD: including connector(s).

All leaflets are available on: www.asconumatics.eu