

CONSTRUCTION 01

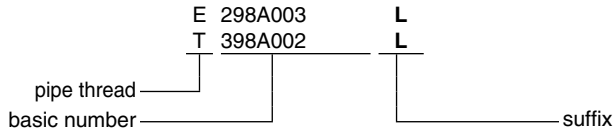
Disc with metal/metal sealing

- Disc made of stainless steel 304 for high temperatures, contaminated water and variable temperature cycles (all versions)

TO ORDER (for compatibility see page 1)

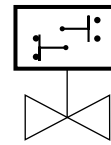
- Add suffix L

ORDERING EXAMPLES:



ORDERING EXAMPLES: SUFFIX COMBINATIONS

	E 298 A 003	GD2	-	construction
	E 298 A 003	GD2 L	1	
	E 298 A 003	GD2 L SH2	1 + 2	
pipe thread	_____			
basic number	_____			suffix



FEATURES

- The signaling box fits all series 298 (2/2) and 398 (3/2) valves to indicate whether the valve is open or closed
- The version with 2 intrinsically safe inductive NAMUR contacts is designed for use in potentially explosive atmospheres to ATEX-Directive 94/9/EC
- Compliance with the Essential Health and Safety Requirements has been assured by compliance with the International and European Standards EN 60079-0, EN 60079-11, EN 60076-26, prEN 61241-0 and IEC 61241-11
- The signaling box is supplied pre-installed and pre-adjusted on the valve. It is rotatable through 360°

GENERAL / OPERATION

At both end-of-travel positions (open and closed) of the valve stem, cams on the signaling box plunger operate contacts which provide an electrical signal indicating that the end position is reached.

Safety code

II 2 GD c IIB T6 T85°C

x°C ^(c)	(Tx) ^(c)	Ts amb ^(c)	T fluid ^(c)
85°C	(T6)	80°C	80°C

x°C = Surface temperature
(Tx) = Temperature class
Ts amb = Ambient temperature
T fluid = Fluid temperature

CONSTRUCTION

Body, cover

PA

Degree of protection

IP66

Unit can be rotated through 360° around the centreline of the valve operator (set screw)

ELECTRICAL CHARACTERISTICS

intrinsically safe inductive NAMUR contacts

The protection rating of the installed signaling box depends on the type of selected valve (see page 1).

Contact characteristics:

- Power supply: 8 V DC nominal
- Switching frequency: 1 kHz

Protection rating of contacts:

II 1 G Ex ia IIC T6
II 1 D Ex iaD 20 T108°C

• EC type examination certificate no.:

PTB 00 ATEX 2032 X

ZELM 03 ATEX 0128 X

• Recommended interfaces:

galvanic barrier

Pepperl & Fuchs type KFA6-SR2-EX1.W
MTL instruments type MTL5011B

ZENER barrier

MTL instruments type MTL7742

safety parameters						II 1 G Ex ia IIC T			gas
						surface temperature			
type ⁽¹⁾	U _i	I _i	P _i	L _i	C _i	T6	T5	T4	
type 1	16 V	25 mA	34 mW	50 µH	40 nF	56°C	68°C	-	
type 2	16 V	25 mA	64 mW	50 µH	40 nF	49°C	61°C	80°C	
type 3	16 V	52 mA	169 mW	50 µH	40 nF	28°C	40°C	68°C	
type 4	16 V	76 mA	242 mW	50 µH	40 nF	13°C	25°C	53°C	

safety parameters						II 1 D Ex iaD 20 T			dusts
						max. ambient temp.			
type ⁽¹⁾	U _i	I _i	P _i	L _i	C _i	40°C	60°C	70°C	
type 1	16 V	25 mA	34 mW	50 µH	40 nF	T44°C	T64°C	T73°C	
type 2	16 V	25 mA	64 mW	50 µH	40 nF	T48°C	T67°C	T76°C	
type 3	16 V	52 mA	169 mW	50 µH	40 nF	T60°C	T77°C	T85°C	

⁽¹⁾ Safety circuit type according to EC type examination certificate.

Electrical connection

intrinsically safe inductive NAMUR contacts

2 terminal strips with 5 screw terminals

Max. grip

2,5 mm²

Cable entry

1 cable gland (cable Ø 5-10 mm)

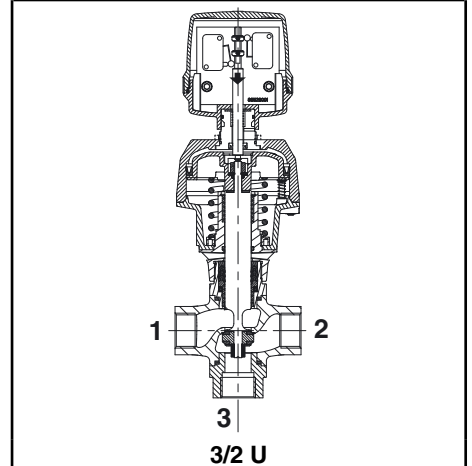
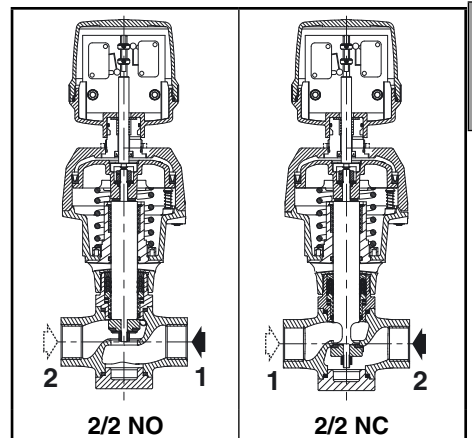
SPECIFICATIONS

operator	suffix ⁽¹⁾ signaling box supplied installed on valve 2 intrinsically safe inductive contacts
Ø 80 mm, Ø 100 mm, Ø 150 mm, Ø 200 mm	SH2

⁽¹⁾ Add the appropriate suffix after the catalogue number of the selected valve, example:

- catalogue number of valve alone **E298A003**

- catalogue number of valve + pre-installed intrinsically safe inductive contacts box = **E298A003SH2**

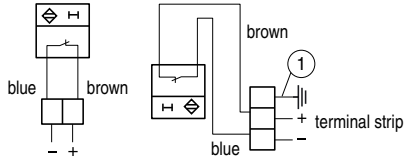


OPTIONS

- Other types of contacts: contact us

INSTALLATION

- The signaling box can be installed in any position
- Electrical connection:

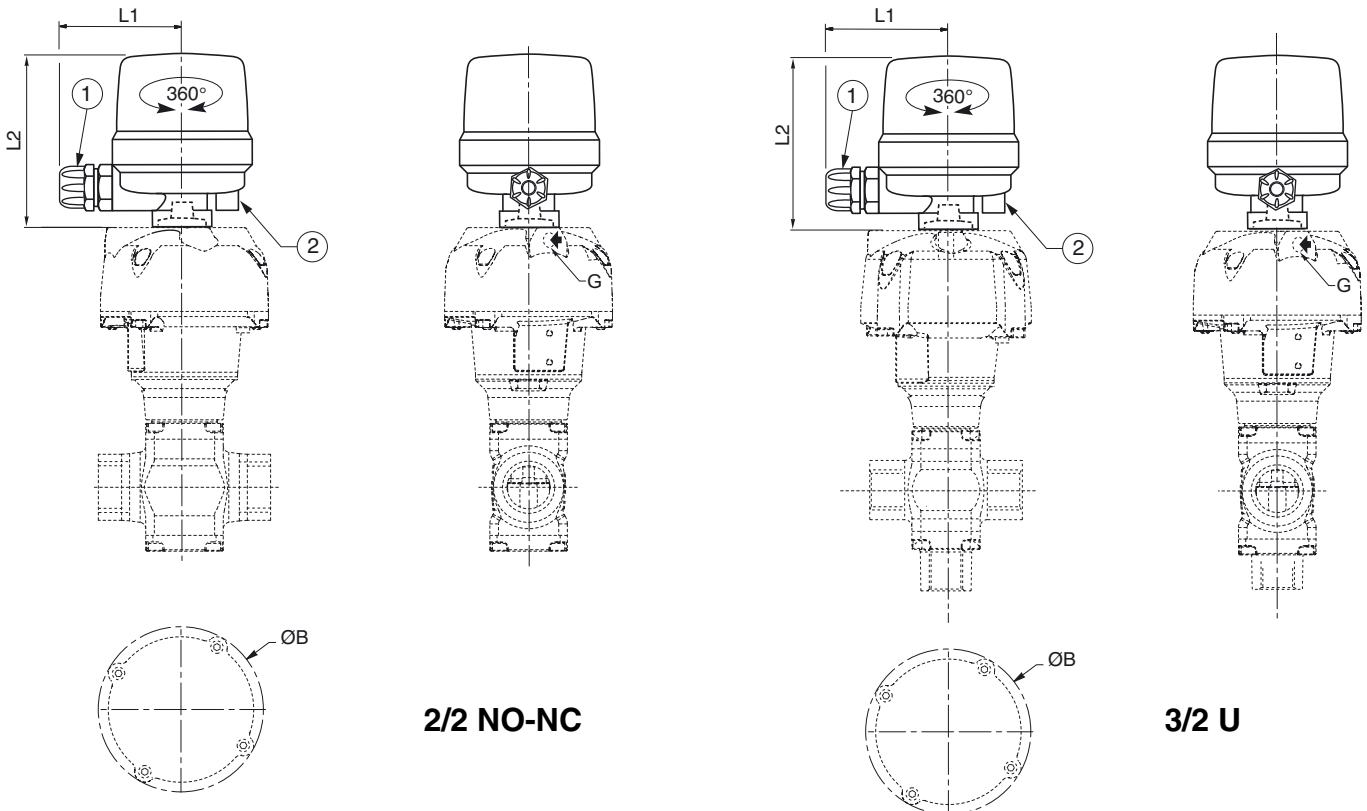


① Electrical continuity terminal

- Installation/maintenance instructions are included with each signaling box

DIMENSIONS (mm), WEIGHT (kg)

Weight of unit alone: 0,310



2/2 NO-NC

3/2 U

operator dia.	80 mm	100 mm	150 mm	200 mm
L1	68	68	68	68
L2	100	100	100	100
ø G	1/8	1/8	1/4	1/4
ø B	110	132,5	191	247

- ① 1 cable gland (cable Ø 5-10 mm)
- ② Unit rotation lock set screw (orientable through 360°)