

FEATURES

- Extremely compact and lightweight pressure-operated valve and solenoid pilot valve unit
- Ready-for-use solution (pre-assembled unit)
- Easy maintenance due to standard ISO 15218 mounting pad (CNOMO size 15 mm)
- Quick installation with coupling-type pilot supply connection (2,7/4 mm or 4/6 mm)
- Easy operation with manual operator on solenoid pilot valve
- Large choice of series 302 solenoid pilot valves with standard mounting pads
- Low 2 W power consumption
- Easy electrical connection (DIN 43650)

GENERAL (VALVE)

Differential pressure	See «SPECIFICATIONS» [1 bar =100 kPa]
Maximum allowable pressure	16 bar
Ambient temperature range	-10°C to +60°C
Maximum viscosity	600 cSt (mm ² /s)
Pilot fluid	Filtered air
Max. pilot pressure	10 bar
Min. pilot pressure	See following page
Response time	See page V402-7
Pilot mounting pad	ISO 15218 (CNOMO E06.36.120N, size 15)

valve	fluids (*)	fluid temperature range (TS)	disc seal (*)
series 290	air and gas group 1 & 2 water, oil, liquids groups 1 & 2 and steam	- 10°C to + 184°C	PTFE

pilot	fluids (*)	pilot fluid temperature range (TS)	seal materials (*)
series 302	air, filtered at 50 µm	- 10°C to + 40°C	NBR (nitrile), FPM (fluoroelastomer)

MATERIALS IN CONTACT WITH FLUID

(*) Ensure that the compatibility of the fluids in contact with the materials is verified

	Valve	302 pilot
Body	St. steel, AISI 316L	PAA
Stuffing box housing	St. steel, AISI 316L	-
Stem	Stainless steel	-
Disc	Stainless steel	-
Stuffing box seal	PTFE chevrons	-
Wiper seal	FPM	-
Disc seal	PTFE	-
Valve body seal	PTFE	-
Pilot internal parts	-	POM, PET, st. steel and brass
Pneumatic mounting pad seal	NBR	-

OTHER MATERIALS AND CONSTRUCTION

32 mm operator	Glass fibre filled PA	-
Inlet pilot port	Instant fitting 2,7/4 mm or 4/6 mm	-
Pilot support plate	Aluminium	-
302 pilot orifice size	-	1,1 mm

CARACTERISTIQUES ELECTRIQUES OF 302 PILOT

Coil insulation class	F
Connector	Spade plug (cable Ø 4-6 mm)
Connector specification	DIN 43650, 9,4 mm, industry standard B
Electrical safety	IEC 335
Electrical enclosure protection	Moulded IP65 (EN 60529)
Standard voltages	DC (=): 24V
(Other voltages and 60 Hz on request)	AC (~): 230V / 50 Hz

prefix option	power ratings				operator ambient temperature range (TS) (C°)	voltage		type ⁽¹⁾
	inrush		holding			~	=	
	(VA)	(W)	(VA)	(W)		230 V/50 Hz	24 V DC	
CFSC	2,1	1,6	1,5	-	-10 to + 60	230	-	01
	-	-	-	2/2,65	-10 to + 50	-	24	

⁽¹⁾ Refer to the dimensional drawings on the following page.



NC valve with 32 mm operator + 302 pilot

SPECIFICATIONS

piping (ISO 6708)		flow coefficient Kv		pilot pressure (bar)		operating pressure differential (bar)				operator diameter (mm)	catalogue number	catalogue number
pipe size	DN	(m ³ /h)	(l/min)	min.	max.	min.	max.	max.	290 pressure-operated valve with 32 mm operator and mounting pad to ISO 15218		290 pressure-operated valve with 32 mm operator + 302 pilot unit	
(G [*])											[302 pilot with connector (DIN 43650, 9,4 mm) and maintained-type manual operator mounted on valve]	
NC - Normally closed, entry under the disc ⁽¹⁾												
3/8	10	2,8	47	4	10	0	16	16	10	32	E290F791	CFSCE290F791MS
1/2	15	4,1	68	4	10	0	12	12	10	32	E290F792	CFSCE290F792MS
3/4	20	6,5	108	4	10	0	6	6	6	32	E290F793	CFSCE290F793MS

(*) Minimum pilot pressure varies with differential pressure, see page V402-7.

(1) Calculation of the minimum pilot pressure at a ΔP of max. 10 bar with allowable backpressure (backpressure not recommended with liquids as waterhammer may occur) - 32 mm operator, 4 bar minimum pilot pressure version: add 2 bar to the minimum pilot pressure of chart V or X, page V402-7.

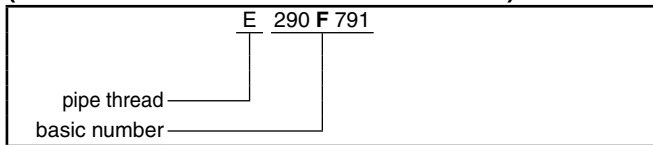
OPTIONS

- Collectable pilot exhaust for pilot, port 2,7/4 mm or port 4/6 mm
- Impulse manual operator for pilot
- Options/accessories for 32 mm valve operator, see page V435
- Explosionproof enclosures for use in zones 0/20-1/21-2/22, categories 1-2-3 to ATEX Directive 94/9/EC (see V436 for pressure-operated valves and "Explosionproof Solenoids" section for 302 pilot)
- Other electrical pilot connections, contact us
- LED and electrical protection for pilot, see Section E, page V579 (Series 302, 3/2 NC)
- Plug with visual indication and peak voltage suppression or with cable length of 2 m (see Solenoids, Coils & Accessories section)

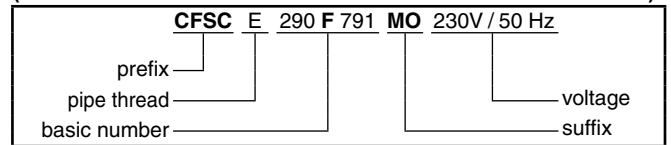
INSTALLATION

- The pressure-operated valve equipped with a solenoid pilot valve can be mounted in any position without affecting operation
- Pilot supply port with instant fitting for 2,7x4 mm pipe. Right-angle instant fitting for 4x6 mm pipe standard supplied with the product
- Installation/maintenance instructions are included with each valve

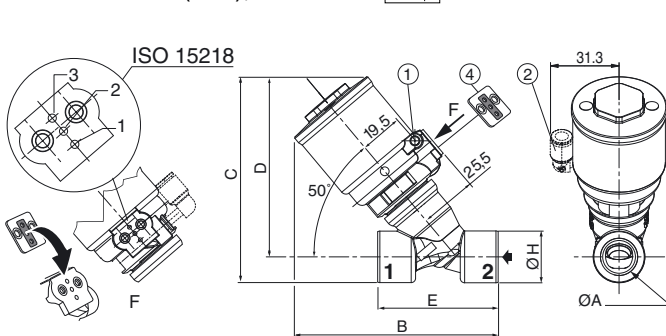
ORDERING EXAMPLES: (PRESSURE-OPERATED VALVE ALONE)



ORDERING EXAMPLES: (PRESSURE-OPERATED VALVE + 302 SOLENOID PILOT VALVE)



DIMENSIONS (mm), WEIGHT



DN	ØA	B	C	D	E	ØH
10	3/8	92	93,2	81,4	55	23,5
15	1/2	99	97,1	83,4	65	28
20	3/4	107	104,3	88,3	75	30

- 1 Pilot exhaust port 3 protected by sintered bronze pellet
- 2 Right-angle instant fitting for 4x6 mm pipe (standard supplied)
- 3 Instant fitting for 2,7x4 mm pipe (standard mounted)
- 4 Plate and seal (supplied with the pressure-operated valve alone)
- 5 Manual 302 pilot operator location



TYPE 01
Prefix "CFSC"
Polyarylamide, IEC 335 / IP65
DIN 43650, 9,4 mm

