

### FEATURES

- AS-interface connections are suitable for direct control of solenoid valves and spool valves with DIN 43650, 11 mm, industry standard B or ISO 4400/EN 175302-803, form A, spade plug coils with maximum power ratings of 7,2 W at 24 V DC (-15 or -10%, +10%)



- Electrical connection is by vampire-type connections designed for standard flat yellow and black AS-Interface cable
- Solenoid valves and spool valves can be directly integrated into AS-Interface bus
- Compact design (comparable to a standard connector)
- Available with or without an additional M12 plug for connection of one or two inputs/return of informations sensors



### GENERAL

#### Protocol

Transmission medium

AS-Interface

Flat black cable: 24 V DC power via 2 conductors. When connecting to the power supply observe polarity, blue for negative and brown for positive  
Flat yellow cable: data via 2 conductors

#### Bus topology

Max. number of connector

Number of outputs per connector

Max. length of bus cable

I/O refresh time

Connector addressing (subscribers)

Compatible PLCs

Backbone or tree

31 slaves

1 solenoid valve or spool valve per connector

100 m (300 m with repeater)

5 ms max.

By AS-Interface master via configuration software, or by pocket unit

SIEMENS, SCHNEIDER, IFM

AS-Interface gateways: Profibus-DP, Interbus-S,

DeviceNet, Worldfip/FIPIO

### ELECTRICAL CHARACTERISTICS

AS-Interface data voltage

Power voltage (black cable)

Maximum ripple

Connector power

Yellow cable connector consumption

24 V power connection

I/O network connection

Connection of inputs

Trigger level of one input

Signalling

Ambient temperature

Electrical enclosure protection

31,5 V

24 V DC (-5%, +10%)

10 %

**7,2 W (0,3 A)**

< 150 mA

Vampire connection for AS-Interface cable (black cable)

Vampire connection for AS-Interface cable (yellow cable)

5-pin female M12 connector, power supply of inputs over black cable

0,36 mA

2 LEDs: 1 for AS-Interface and 1 for coil

-10°C to +60°C

IP65 (EN 60529) (provided connectors and covers are correctly in place)

### SPECIFICATIONS

| description<br><br>(connectors non rotatable)   | compatible coils   | catalogue number |                 |                 |
|---|--|------------------|-----------------|-----------------|
|   |  | without input    | with M12 input  |                 |
|   |  |                  | version A       | version B       |
| <b>AS-Interface connector, size 22</b>          |  |                  |                 |                 |
| with DIN 43650, 11 mm, industry standard B plug | CM5 - CM22<br>C22A   | <b>88100277</b>  | <b>88100337</b> | <b>88100408</b> |
| <b>AS-Interface connector, size 30</b>          |  |                  |                 |                 |
| with ISO 4400 / EN 175301-803, form A plug      | CM6/FT - JMX<br>CM25 - C25A<br>CM30 - CMXX/F (1,7 W <sup>(1)</sup> ) | <b>88100278</b>  | <b>88100339</b> | <b>88100409</b> |

<sup>(1)</sup> Connector use with low power coil, consumption 1,7 W. See Low Power valves in our «Pilot Valves for the Process Industry» catalogue, contact us.

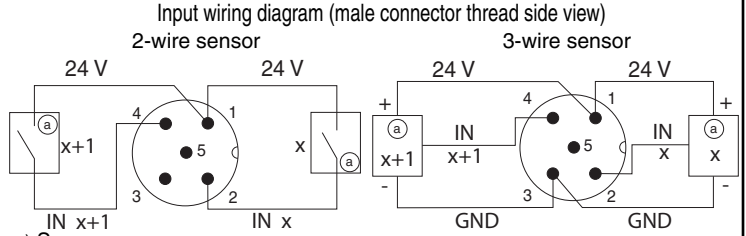
### ACCESSORIES

- Five-pin male M12 connectors for inputs (sensor return):
  - with 90° elbow mono input cable for one 4 to 6 mm diameter cable, catalogue number: **88161927**
  - with straight mono cable input for one 4 to 6 mm diameter cable, catalogue number: **88100330**
  - with straight duo cable input cable for two 3 to 5 mm diameter cables, catalogue number: **88100253**
- Thermoretractable ends (set of 10 pieces) for IP65 protection at the end of the connection lines, catalogue number: **88157927**

### INSTALLATION

- Connection to M12 connector

| contact | name      | description                |
|---------|-----------|----------------------------|
| 1       | 24V DC IN | input power                |
| 2       | IN x      | positive logic input x     |
| 3       | GROUND    | ground (3-wire sensors)    |
| 4       | IN x + 1  | positive logic input x + 1 |
| 5       | PE        | earth                      |



a) Sensor  
Compatible with inductive detectors if the leak current is less than 0,3 mA with a switching threshold, at ground state, of less than 4 V.

- Input signal addressing

D0, D1, D2, D3:  
data bits for AS-Interface slave (one non bi-directional node)

| connector   | D0            | D1       | D2       | D3       |
|-------------|---------------|----------|----------|----------|
| no input    | output (coil) | not used | not used | not used |
| with inputs | output (coil) | not used | input 1  | input 2  |

If the AS-Interface network is configured with an AS-Interface coupler integrated with the PLC, the following AS-Interface connector identification codes apply

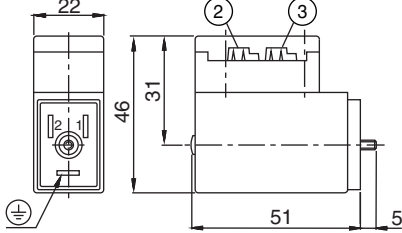
| connector           | I/O code   | ID-code   |
|---------------------|------------|-----------|
| connector           | connector  | connector |
| identification code | 11 (or BH) | 15        |

- Installation/maintenance instructions are included with each connector

### DIMENSIONS (mm), WEIGHT (kg)

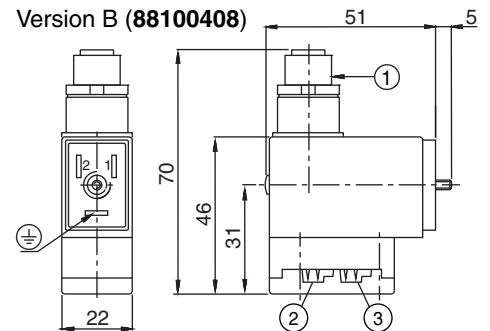
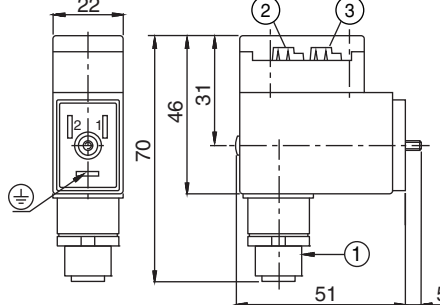
■ AS-Interface connector with DIN 43650, 11 mm, industry standard B plug (size 22) - AS-Interface connectors are non rotatable -

- Without input (Weight: 38 g)  
catalogue number: **88100277**



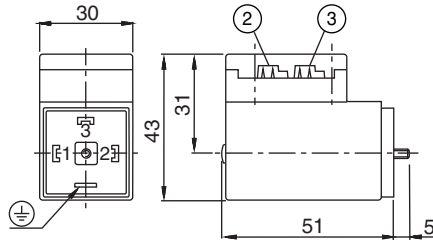
- ① 5 pin female M12 connector for input

- With M12 input (Weight: 54 g)  
Version A (**88100337**)



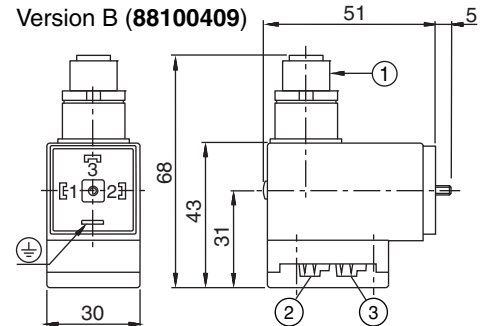
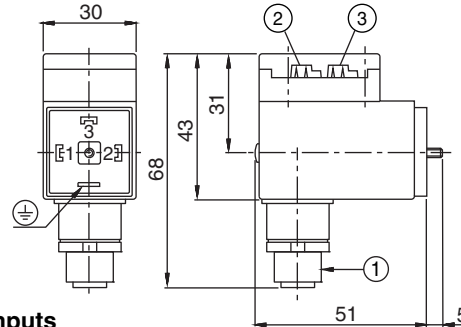
■ AS-Interface connector with ISO 4400 / EN 175301-803, form A plug (size 30) - AS-Interface connectors are non rotatable -

- Without input (Weight: 42 g)  
catalogue number: **88100278**



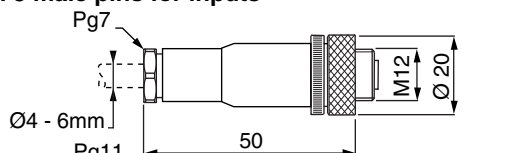
- ② Yellow cable (AS-Interface)
- ③ Black cable (power supply)

- With M12 input (Weight: 58 g)  
Version A (**88100339**)

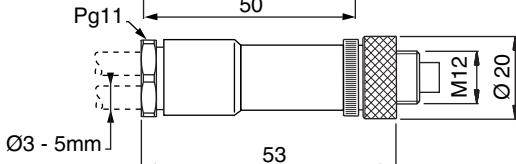


■ M12 connector with 5 male pins for inputs

catalogue number:  
**88100330**



catalogue number:  
**88100253**



catalogue number:  
**88161927**  
(rotatable by 90° increments)

