



SOLENOID VALVES

for potentially explosive atmospheres
 flameproof enclosure
 II 2 G Ex d IIB + H2 T6..T4, II 2 D Ex tD A21 IP65
 aluminium enclosure, ISO 15218 (CNOMO, size 30) interface



NC



3/2
 Series
374
NK

FEATURES

- Solenoid valves equipped with an **NK** type operator operator for use in potentially explosive atmospheres according to ATEX-Directive 94/9/EC EC type examination certificate no.: **LCIE 01 ATEX 6050 X**
- Compliance with the Essential Health and Safety Requirements has been assured by compliance with European Standards **EN 60079-0**, **EN 60079-1**, **EN 61241-0** and **EN 61241-1**
- Easy electrical installation by means of a screw terminal coil
- Enclosure provided with a 3/4 NPT threaded entry hole (1/2 NPT or M20 x 1,5 in option) for a broad range of cable entries
- Ingress protection degree IP65
- A wide range of valves can be supplied with the CNOMO size 30 solenoid pilot interface

GENERAL

Differential pressure 0 - 12 bar [1 bar = 100 kPa]
Pneumatic interface ISO 15218 (CNOMO E06.05.80, size 30)
Response times 5 ms

fluids (*)	temperature range (TS)	seal materials (*)
air or inert gas	- 25°C to + 60°C	NBR (nitrile)

CONSTRUCTION

Solenoid enclosure Aluminium, cataphoresis black painting
Bonnet, cover screws Steel
Nameplate Aluminium
Coil connection Embedded screw terminal

MATERIALS IN CONTACT WITH FLUID

(*) Ensure that the compatibility of the fluids in contact with the materials is verified.

Body Aluminium, black anodized
Core, core tube and plugnut Stainless steel
Shading coil Copper
Internal parts, springs Stainless steel
Seals NBR

ELECTRICAL CHARACTERISTICS

Coil insulation class F II 2 G Ex d IIB + H2 T6..T4
 II 2 D Ex tD A21 IP65 T85°C..T135°C
Standard voltages DC (=) : 24V - 48V
 (Other voltages and 60 Hz on request) AC (~) : 24V - 48V - 115V - 230V / 50 Hz

prefix option	power ratings				operator ambient temperature range (TS) (C°)	replacement coil		type ⁽¹⁾
	inrush	holding	hot/cold			~	=	
	(VA)	(VA)	(W)	(W)		230 V/50 Hz	24 V DC	
NK	55	23	10,5	9 / 11,2	-20 to + 60	-	-	01

⁽¹⁾ Refer to the dimensional drawings on the following page.

TEMPERATURE CLASSIFICATION TABLES

AC (~) Solenoids

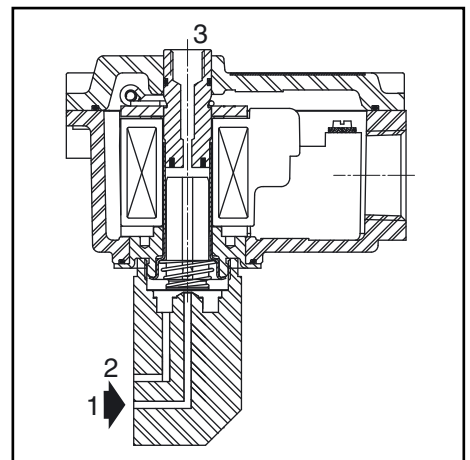
Pn (watt)	coil size				maximum ambient °C ⁽¹⁾ surface temperature			
	MXX				T6	T5	T4	T3
					85°C	100°C	135°C	200°C
10,5	●							60
insulation class F (155°C) 100% E.D.								

DC (=) Solenoids

Pn (watt)	coil size				maximum ambient °C ⁽¹⁾ surface temperature			
	MXX				T6	T5	T4	T3
					85°C	100°C	135°C	200°C
11,2	●				25	40	60	
insulation class F (155°C) 100% E.D.								

SPECIFICATIONS

pipe size	orifice size		flow coefficient Kv				operating pressure differential (bar)				power coil (W)	catalogue number		
	1 → 2 (mm)	2 → 3 (mm)	1 → 2		2 → 3		min.	max. (PS)		~		=	without manual operator ~/=	with maintained manual operator
			(m³/h)	(l/min)	(m³/h)	(l/min)		air (*)						
NC - Normally closed														
pad mount	2	-	0,11	1,8	-	-	0	12	12	10,5	11,2	NKS374A090	NKS374A090MS	



INSTALLATION

- The solenoid valves can be mounted in any position without affecting operation
- The solenoid valves are supplied with mounting screws
- Mounting on valve or single, non-joinable subbase with ISO 15218 (CNOMO, size 30) interface
- Pipe connections G 1/8 have standard thread according to ISO 228/1
- Installation/maintenance instructions are included with each solenoid valve

OPERATOR CONNECTION

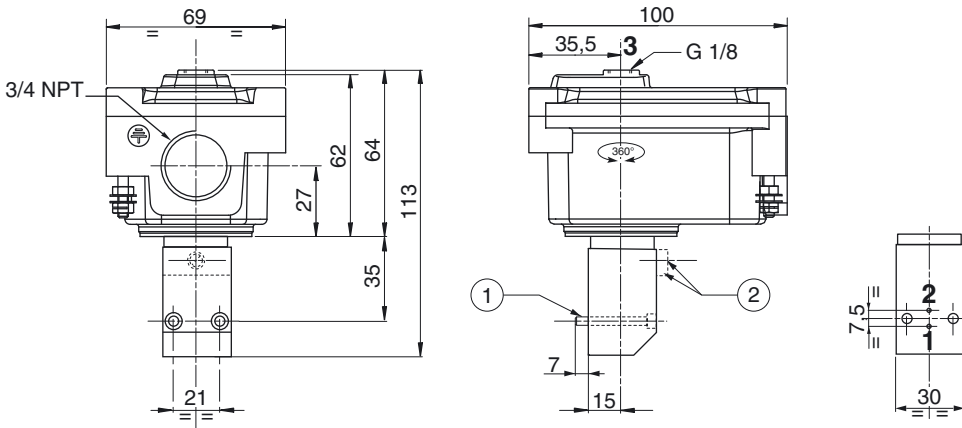
- Any ATEX approved cable entry device can be fitted in the 3/4" NPT threaded entry hole (1/2 NPT, prefix "T", or M20 x 1.5, prefix "ET", in option); supplied without cable gland
- Internal and external earthing connection
- The operator can be rotated through 360° to select the most favourable position for cable entry

DIMENSIONS (mm), WEIGHT (kg)



TYPE 01

Prefix "NK" Solenoid
Aluminium, epoxy coated
EN 60079-1 and EN 61241-1
II 2 G Ex d IIB + H2 - II 2D Ex tD A21 IP65



type	weight ⁽¹⁾
01	0,63

- ① Mounting: two screws M4 x 35
- ② Manual operator location

⁽¹⁾ Without cable gland.