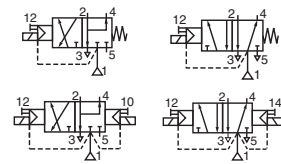




# SPOOL VALVES

pilot operated or air operated, spool type  
single/dual solenoid or air (mono/bistable function)  
brass body, NAMUR, 1/4



3/2-5/2

Series  
551

## FEATURES

- The solenoid operated spool valves have threaded port connections and NAMUR interface
- The same spool valve can be adapted for 3/2 NC or 5/2 function for controlling double-acting and single-acting actuators
- All the exhaust ports of the spool valve are connectable, providing better environmental protection. Particularly recommended for sensitive areas, such as clean rooms, and applications in the pharmaceutical and food processing sectors
- The valves offer environmental protection against the ingress of liquids, dusts or other foreign matter (environmentally-protected construction)
- Solenoid pilot valve with spade-plug connector type DIN 43650, industry standard, form B with 9,4 mm spacing, or to ISO 15217/DIN 43650 form C with 8 mm spacing. Versions with M12 connector and cable ends
- Solenoid pilot valve, CNOMO size 15 interface, with or without integral LED and electrical protection. LED indicator visible from 3 sides
- The monostable spool valves have TÜV certified IEC 61508 Functional Safety data and can be used up to SIL 4/AK 7
- The solenoid valves satisfy all relevant EC directives

## GENERAL

Differential pressure 2 - 10 bar [1 bar = 100 kPa]  
Flow (Qv at 6 bar) 700 l/min (ANR)  
Pilot mounting interface surface ISO 15218 (CNOMO E06.36.120N, size 15)

fluids (*)	temperature range (TS)	seal materials (*)
air, inert gas, filtered	- 25°C to + 40°C	VMQ (silicone) + PUR (polyurethane)

## MATERIALS IN CONTACT WITH FLUID

(\*) Ensure that the compatibility of the fluids in contact with the materials is verified  
**Body, end cover, seats** Brass  
**Interface plates** Glass fibre filled PA  
**Spool valve internal parts** Brass, stainless steel, POM  
**Pilot body** PAA  
**Pilot internal parts** POM, PET, stainless steel and brass  
**Pneumatic interface seal** TPE

## ELECTRICAL CHARACTERISTICS

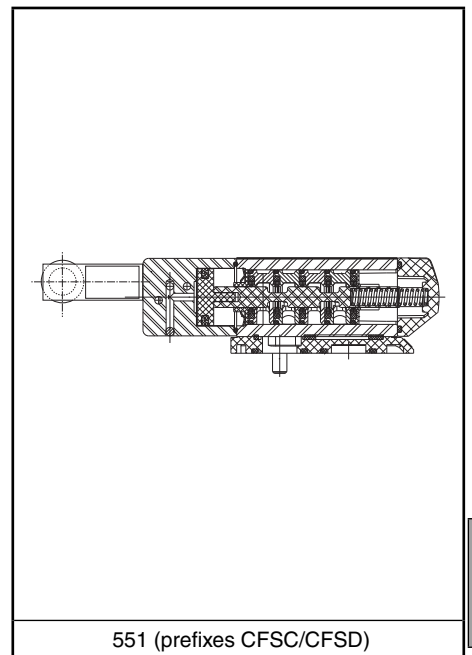
**Coil insulation class** F  
**Connector (type 05/06)** Spade plug (cable Ø 6-7 mm)  
**Connector specification** Type 05: DIN 43650, 9,4 mm, industry standard B  
 Type 06: ISO 15217 / DIN 43650, 8 mm, form C  
 Type 07: M12 (CNOMO E03.62.520.N)  
 Type 08: cable ends (length 0,3 m), EN 60730  
**Connection** IEC 335  
**Electrical safety** Moulded IP65 [05/06] or IP67 [07/08] (EN 60529)  
**Standard voltages** DC (=): 24V  
 AC (~): 24V-115V-230V / 50 Hz (prefixes CFSC/CFSD)  
 (Other voltages and 60 Hz on request)

prefix option	power ratings				operator ambient temperature range (TS) (C°)	voltage		type (1)
	inrush	holding		hot/cold		~	=	
	~ (VA)	~ (VA)	(W)	= (W)		(V)	(V)	
CFSC	1,4	1,2	1,1	1/1,2	-25 to + 60	24-115	24	05-06
CFSD	2,1	1,6	1,5	-	-25 to + 60	230	-	
	1,8 (2)	1,6 (2)	1,5 (2)	1,15/1,35(2)	-25 to + 60	24-115	24	
	2,5 (2)	2 (2)	1,9 (2)	-	-25 to + 50	230	-	
CFVT (3)	-	-	-	1,15/1,35	-25 to + 60	-	24	07
CFL (3)	-	-	-	-	-	-	-	08

(1) Refer to the dimensional drawings on the following page.  
 (2) Values with LED indicator and protection, use TPL 20674.  
 (3) Supplied with LED indicator and protection.

## SPECIFICATIONS

pipe size	orifice size	flow coefficient Kv	operating pressure differential (bar)				power coil (W)	catalogue number				options			
			min.	max. (PS)		connector DIN 43650, 9,4 mm (type 05)		connector DIN 43650, 8 mm (type 06)	M12 (type 07)	cable ends (type 08)	maintained man. operator	impulse man. operator			
G	(mm)	(m³/h)/(l/min)	~	=	~		=						~/=	~/=	=
<b>3/2 NC - 5/2 - Solenoid air pilot operated - spring return (monostable)</b>															
1/4	6	0,6	10	2	10	10	1,1..1,9	1,2/1,35	CFSCG551C503	CFSDG551C503	-	-	MS	MO	-
							-	1,35	-	-	CFVTG551C503	CFLG551C503	MS	MO	-
<b>3/2 NC - 5/2 - Solenoid air pilot operated and return (bistable)</b>															
1/4	6	0,6	10	2	10	10	1,1..1,9	1,2/1,35	CFSCG551C504	CFSDG551C504	-	-	MS	MO	-
							-	1,35	-	-	CFVTG551C504	CFLG551C504	MS	MO	-
<b>3/2 NC - 5/2 - Solenoid air pilot operated - spring return (monostable), certified IEC 61508 Functional Safety data</b>															
1/4	6	0,6	10	2	10	10	1,1..1,9	1,2/1,35	CFSCG551C503SL	CFSDG551C503SL	-	-	-	MO	-
							-	1,35	-	-	CFVTG551C503SL	CFLG551C503SL	-	MO	-



G

