

FEATURES

- Rugged forged brass bodied solenoid valves designed to provide maximum flow
- Solenoid valves have poppet type seats and discs to provide tight sealing
- Main valve discs are power driven in both directions by line pressure (ΔP min. 0,7/1,7 bar)
- The solenoid valves satisfy all relevant EC Directives

GENERAL

Differential pressure See "SPECIFICATIONS" [1 bar =100 kPa]
Maximum viscosity 65 cSt (mm²/s)
Response times 100 - 1000 ms

fluids (*)	temperature range (TS)	seal materials (*)
air, inert gas, water, oil	- 20°C to + 85°C	NBR (nitrile)

MATERIALS IN CONTACT WITH FLUID

(*) Ensure that the compatibility of the fluids in contact with the materials is verified

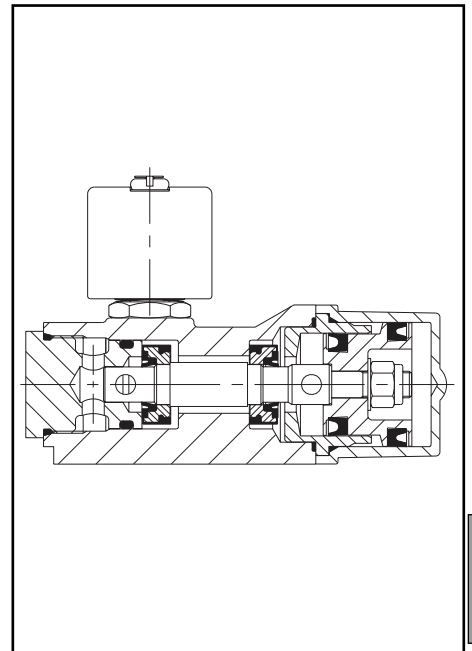
Body	Brass
Core tube	Stainless steel
Core and plugnut	Stainless steel
Core spring	Stainless steel
Seat	Brass
Seals	NBR
Discs and poppets	NBR
Discs holders	POM
Pilot cadtridge	POM
Shaft gasket	Copper alloy
Shading coil	Copper

ELECTRICAL CHARACTERISTICS

Coil insulation class F
Connector Spade plug (cable Ø 6-10 mm)
Connector specification ISO 4400 / EN 175301-803, form A
Electrical safety IEC 335
Electrical enclosure protection Moulded IP65 (EN 60529)
Standard voltages DC (=) : 24V - 48V
 (Other voltages and 60 Hz on request) AC (~) : 24V - 48V - 115V - 230V / 50 Hz

prefix option	power ratings				operator ambient temperature range (TS) (C°)	replacement coil		type ⁽¹⁾
	inrush	holding		hot/cold		~	=	
	(VA)	(VA)	(W)	(W)		230 V/50 Hz	24 V DC	
SC	55	23	10,5	9/11,2	-20 to + 75	400425-117	400425-142	01
	78	35	16,7	-	-20 to + 50	400425-217	-	01
	-	-	-	12/16,8	-20 to + 75	-	400625-142	02

⁽¹⁾ Refer to the dimensional drawings on the following page.



SPECIFICATIONS

pipe size	exhaust pipe size	orifice size	flow coefficient Kv		operating pressure differential (bar)						power coil (W)		catalogue number	options				
					min.			max. (PS)						maintained man. operator	FPM			
					air/water (*)	oil (*)	air (*)	water (*)	oil (*)									
NPT	NPT	(mm)	(m ³ /h)	(l/min)			~	=	~	=	~	=	~/=					
Solenoid pilot operated - air differential return (monostable)																		
1/4	3/8	6,4	0,7	11,6	0,7	1,7	9	9	9	9	9	9	10,5	11,2	SCB344A070	MO	V	-
							17	17	17	17	17	17	16,7	16,8	SCB344B000	MO	V	-
3/8	3/8	6,4	0,7	11,6	0,7	1,7	17	17	17	17	17	17	16,7	16,8	SCB344B001	MO	V	-
							9	9	9	9	9	9	10,5	11,2	SCB344A072	MO	V	-
3/8	1/2	9,5	1,9	31,6	0,7	1,7	17	17	17	17	17	17	16,7	16,8	SCB344C025	MO	V	-
							9	9	9	9	9	9	10,5	11,2	SCB344A074	MO	V	-
1/2	1/2	9,5	1,9	31,6	0,7	1,7	17	17	17	17	17	17	16,7	16,8	SCB344C027	MO	V	-
							9	9	9	9	9	9	10,5	11,2	SCB344A076	MO	-	-
3/4	1	19	4,8	80	0,7	1,7	17	17	17	17	17	17	16,7	16,8	SCB344B029	MO	-	-
							9	9	9	9	9	9	10,5	11,2	SCB344A078	MO	-	-
1	1	19	4,8	80	0,7	1,7	17	17	17	17	17	17	16,7	16,8	SCB344B031	MO	-	-

OPTIONS

- Valves can also be supplied with FPM (fluoroelastomer) seals and discs. Use the appropriate optional suffix letter for identification
- Waterproof enclosure with embedded screw terminal coil according to protection class IP67, CEE-10
- Explosionproof enclosures for use in zones 1/21-2/22, categories 2-3 to ATEX Directive 94/9/EC (see "Explosionproof solenoids" section)
- Electrical enclosures according to "NEMA" standards are available
- Compliance with "UL", "CSA" and other local approvals available on request
- Bistable function and special valves are available for dry-air gas, continuous cycling, clickless and quiet operation
- Other pipe connections are available on request
- Plug with visual indication and peak voltage suppression or with cable length of 2m (see Solenoids, Coils & Accessories section)

INSTALLATION

- The solenoid valves can be mounted in any position without affecting operation
- Important: A minimum operating pressure differential must be maintained between the pressure and exhaust ports. Supply and exhaust piping must be full area and unrestricted
- Solenoid valves have 2 mounting holes in body
- Pipe connection identifier is B = NPT (ANSI 1.20.3)
- Installation/maintenance instructions are included with each valve

SPARE PARTS KIT

catalogue number	spare parts kit n°.	
	~	=
SCB344A070	C302709	C302731
SCB344B000/B001	C302710	C302732
SCB344A072/A074	C302711	C302733
SCB344C025/C027	C302712	C302734
SCB344A076/A078	C302713	C302735
SCB344B029/B031	C302714	C302736

⁽¹⁾ Standard prefixes/suffixes are also applicable to kits.
- Not available

ORDERING EXAMPLES:

SC	B	344	A	070	230V / 50 Hz
SC	B	344	C	025	MO 115V / 50 Hz
SC	B	344	C	027	V 24V / DC
SC	B	344	B	031	230V / 50 Hz

prefix pipe thread basic number voltage suffix

ORDERING EXAMPLES KITS:

C302-731 ⁽¹⁾	
C302-711	V
C302-735	

basic number suffix

DIMENSIONS (mm), WEIGHT (kg)

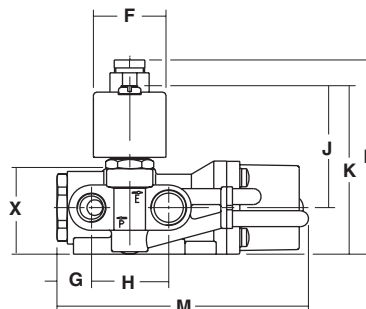
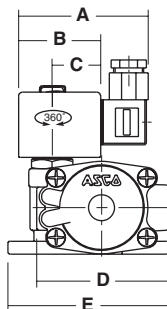
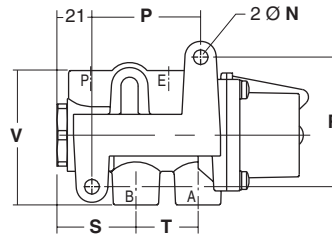


TYPE 01-02
Prefix "SC" Solenoid
Epoxy moulded
IEC 335 / ISO 4400
IP65

Type 01, AC/DC: SCB344A070/072/074/076/078

AC: SCB344B000/B001/C025/C027/B029/B031

Type 02, DC: SCB344B000/B001/C025/C027/B029/B031



type	prefix option	catalogue number	A	B	C	D	E	F	G	H	J	K	L	M	N	P	R	S	T	V	X	weight ⁽²⁾
01	SC	SCB344A070	80	50	30	80	108	45	18	36	79	103	120	121	7,1	48	61	40	28	80	54	2,4
		SCB344A072/074	80	50	30	81	98	45	21	38	74	102	119	154	8,6	67	79	48	38	81	53	4,4
		SCB344A076/078	80	50	30	116	120	45	38	54	83	123	140	210	8,6	99	97	66	53	116	74	8,5
		SCB344B000/001 (-)	80	50	30	80	108	45	18	36	79	103	120	121	7,1	48	61	40	28	80	54	2,4
		SCB344B025/027 (-)	80	50	30	81	98	45	21	38	74	102	119	154	8,6	67	79	48	38	81	53	4,4
		SCB344B029/031 (-)	80	50	30	116	120	45	38	54	83	123	140	210	8,6	99	97	66	53	116	74	8,5
02	SC	SCB344B000/001 (=)	86	56	33	80	111	50	18	36	86	110	110	121	7,1	48	61	40	26	80	53	4,5
		SCB344C025/027 (=)	86	56	33	81	96	50	21	38	81	109	109	154	8,6	67	79	48	38	81	52	8,5
		SCB344B029/031 (=)	86	56	33	116	120	50	38	54	90	130	130	210	8,6	99	97	66	53	116	73	8,6

⁽²⁾ including coil and connector.

All leaflets are available on: www.asconumatics.eu