

### FEATURES

- High flow due to angled seat design
- Anti-waterhammer design (fluid entry under the disc)
- External threads to ISO 228/1 for industrial applications
- Vacuum operation up to  $10^2$  mbar
- Piston-type operators 32 mm dia. rotatable through 360°
- High performance, maintenance-free stuffing box
- The valves satisfy Pressure Equipment Directive 97/23/EC, article 3.3

### GENERAL

<b>Differential pressure</b>	See «SPECIFICATIONS» [1 bar = 100 kPa]
<b>Maximum allowable pressure</b>	16 bar
<b>Ambient temperature range</b>	-10°C to +60°C
<b>Maximum viscosity</b>	600 cSt (mm <sup>2</sup> /s)
<b>Pilot fluid</b>	Filtered air or water <sup>(1)</sup>
<b>Max. pilot pressure</b>	10 bar
<b>Min. pilot pressure</b>	See below
<b>Pilot fluid temperature</b>	-10°C to +60°C
<b>Response time</b>	See page V402-7

fluids (*)	temperature range	disc seal (*)
air and gas groups 1 & 2 water, oil, liquids groups 1 & 2 and steam	- 10°C to + 184°C	PTFE

### MATERIALS IN CONTACT WITH FLUID

(\*) Ensure that the compatibility of the fluids in contact with the materials is verified

<b>Valve body</b>	AISI 316L
<b>Stuffing box housing</b>	AISI 316L
<b>Stem</b>	Stainless steel
<b>Disc</b>	Stainless steel
<b>Stuffing box packing</b>	PTFE chevrons
<b>Wiper seal</b>	FPM
<b>Disc seal</b>	PTFE
<b>Valve body seal</b>	PTFE

### OTHER MATERIALS

<b>Operator</b>	Glass fibre filled PA
<b>Optical position indicator</b>	Optional on NC valves

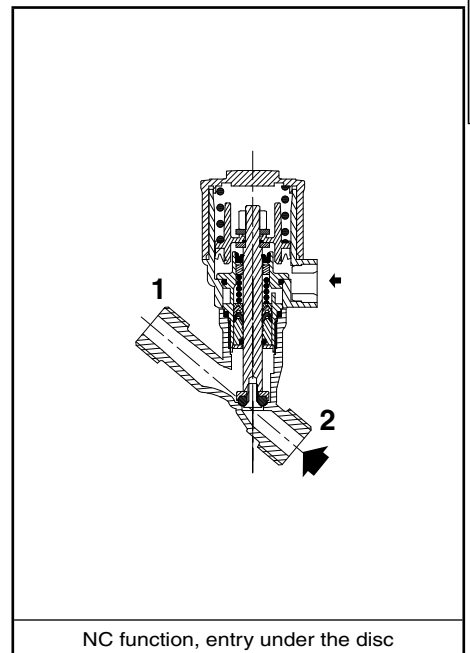
<sup>(1)</sup> For dia. 32 operators: At service fluid temperatures inside the valve body above 100°C, it is prohibited to pilot the valve with water.

### SPECIFICATIONS

piping (ISO 6708)		flow coefficient Kv		pilot pressure (bar)		operating pressure differential (bar)			operator diameter (mm)	catalogue number	
pipe size (G)	DN	(m <sup>3</sup> /h)	(l/min)	min.	max.	min..	max.				
								air, inert gas, aggressive fluids (*)	water, oil, liquids, aggressive liquids (*)	steam (*) (≤184°C)	
<b>NC - Normally closed, entry under the disc <sup>(3)</sup></b>											
1/2	10	2,8	47	4	10	0	16	16	10	32	U290A791
3/4	15	4,1	68	4	10	0	12	12	10	32	U290A792
1	20	6,5	108	4	10	0	6	6	6	32	U290A793
<b>NO - Normally open, entry under the disc</b>											
1/2	10	2,8	47	IX (*)	10	0	16	16	10	32	U290A794
3/4	15	4,1	68	IX (*)	10	0	16	16	10	32	U290A795
1	20	6,5	108	IX (*)	10	0	16	16	10	32	U290A796
<b>NC - Normally closed, entry above the disc (version recommended for rapid-cycling steam applications)</b>											
1/2	10	2,8	47	X (*)	10	0	10	-	10	32	U290A797
3/4	15	4,1	68	X (*)	10	0	10	-	10	32	U290A798
1	20	6,5	108	X (*)	10	0	10	-	10	32	U290A799

(\*) Minimum pilot pressure varies with differential pressure, see page V402-7.

<sup>(3)</sup> Calculation of the minimum pilot pressure at max. ΔP with allowable backpressure, contact us (backpressure not recommended with liquids as waterhammer may occur).



D

00050GB-2010/RO1 Availability, design and specifications are subject to change without notice. All rights reserved.

### OPTIONS AND ACCESSORIES (see page V435/V436)

- Optical position indicator, NC function
- Oxygen service, pressure limited to 15 bar, temperature limited to + 60°C
- Vacuum applications up to 1,33 10<sup>-3</sup> mbar
- NET-INOX passivation treatment
- ATEX 94/9/EC versions for potentially explosive atmospheres
- Other pipe connections are available on request

### INSTALLATION

- The valves can be mounted in any position without affecting operation
- Compatible with ASTM 1, 2 and 3 oils
- Pipe connection identifier is G = G (ISO 228/1)
- Installation/maintenance instructions are included with each valve

### SPARE PARTS KITS

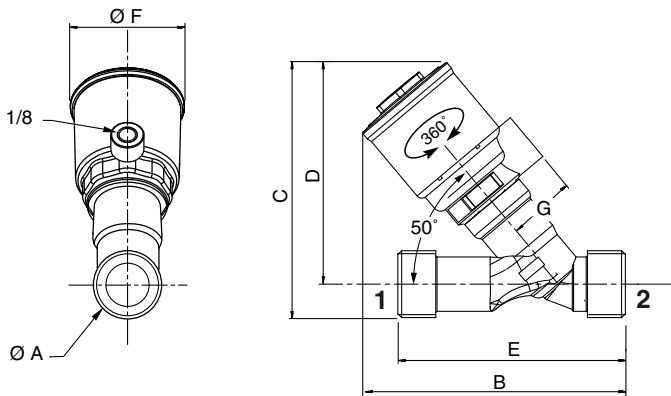
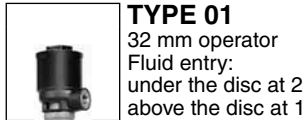
DN	spare parts kit no.
10	<b>C140100</b>
15	<b>C140101</b>
20	<b>C140102</b>

### ORDERING EXAMPLES:

	U	290	A	791	
	U	290	A	792	VI
	U	290	A	792	NI
	U	290	A	797	

pipe thread ———  
 basic number ———  
 suffix ———

### DIMENSIONS (mm), WEIGHT (kg)



type	operator diameter	ØA	B	C	D	E	ØF	G	weight <sup>(1)</sup>
01	32 mm	1/2	102,5	98,2	87,7	80	43,5	27	0,36
		3/4	104,9	102	88,8	90	43,5	27	0,43
		1	109,5	104,9	88,4	110	43,5	27	0,54

<sup>(1)</sup> Weight of valve without pilot.

Solenoid pilot valves: see V439 (32 mm operator).

