

### FEATURES

- Remote-controlled compact valves
- High flow due to angled seat design
- Equipped with piston-type operators (50 or 63 mm dia.)
- Anti-waterhammer design (fluid entry under the disc)
- Operator rotatable through 360°
- The valves satisfy Pressure Equipment Directive 97/23/EC article 3.3

### GENERAL

Differential pressure	See «SPECIFICATIONS» [1 bar =100 kPa]
Maximum allowable pressure	16 bar
Ambient temperature range	-10°C to +60°C
Maximum viscosity	600 cSt (mm²/s)
Pilot fluid	Filtered air or water
Max. pilot pressure	10 bar
Min. pilot pressure	See below and following page
Pilot fluid temperature	-10°C to +60°C
Response time	See page V402-7

fluids (*)	temperature range	disc seal (*)
water, air, inert gas, oil, hot water	- 10°C to + 95°C	NBR (nitrile)

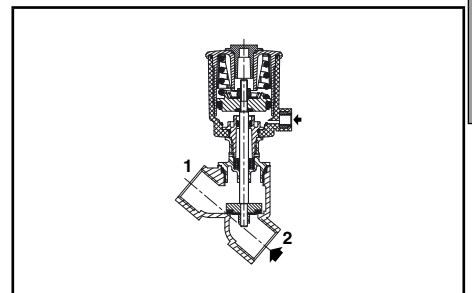
### MATERIALS IN CONTACT WITH FLUID

(\*) Ensure that the compatibility of the fluids in contact with the materials is verified

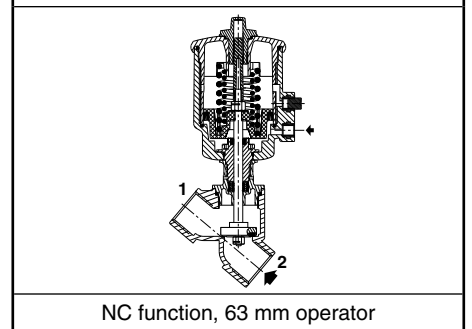
Valve body	Bronze
Stuffing box housing	Glass fibre filled PA
Stuffing box seal	NBR
Stem	Stainless steel
Disc	Brass
Disc seal	NBR
Valve body seal	NBR

### OTHER MATERIALS

Operator	Glass fibre filled PA
Optical position indicator	PA 12, supplied standard on valves with 63 mm operator



NC function, 50 mm operator



NC function, 63 mm operator

### SPECIFICATIONS

piping (ISO 6708)		flow coefficient Kv		pilot pressure (bar)		operating pressure differential (bar)			operator diameter (mm)	catalogue number	
pipe size (G*)	DN	(m³/h)	(l/min)	min.	max.	min.	max.				
								air, inert gas (*)		water, oil (*)	
<b>NC - Normally closed, entry under the disc</b>											
1/2	15	4,9	82	4	10	0	10	10	50	<b>E290A468</b>	
				2,5	10	0	10	10	63	<b>E290A125</b>	
				1,5	10	0	5	5	63	<b>E290A124</b>	
3/4	20	9,4	157	4	10	0	10	10	50	<b>E290A469</b>	
				2,5	10	0	10	10	63	<b>E290A127</b>	
				1,5	10	0	4	4	63	<b>E290A126</b>	
1	25	12,8	213	4	10	0	6	6	50	<b>E290A470</b>	
				4	10	0	10	10	63	<b>E290A131</b>	
		16,5	275	2,5	10	0	6	6	63	<b>E290A130</b>	
				1,5	10	0	3	3	63	<b>E290A129</b>	
<b>NO - Normally open, entry under the disc</b>											
1/2	15	4,9	82	(*)	10	0	10	10	50	<b>E290A471</b>	
				(*)	10	0	10	10	63	<b>E290A133</b>	
3/4	20	9,4	157	(*)	10	0	10	10	50	<b>E290A472</b>	
				(*)	10	0	10	10	63	<b>E290A134</b>	
1	25	12,8	213	(*)	10	0	10	10	50	<b>E290A473</b>	
				(*)	10	0	10	10	63	<b>E290A135</b>	

(\*) Minimum pilot pressure varies with differential pressure, see overleaf.

### OPTIONS AND ACCESSORIES (see page V435)

- Signaling box or compact signaling unit
- Stroke limiter for opening
- Manual safety device
- Optical position indicator on 50 mm operator, NC function
- Adapter plate for NAMUR pad mounting pilot (63 mm operator only)
- Other pipe connections are available on request

### INSTALLATION

- The valves can be mounted in any position without affecting operation
- Compatible with ASTM 1, 2 and 3 oils
- Pipe connections (G\*) have standard combination thread according to ISO 228/1 and ISO 7/1
- Installation/maintenance instructions are included with each valve

### SPARE PARTS KITS

DN	spare parts kit no.
	Ø 50-63 mm
15	<b>C131201</b>
20	<b>C131202</b>
25	<b>C131203</b>

### ORDERING EXAMPLES:

	E	290	A	468	
	E	290	A	133	<b>SM2</b>
	E	290	A	469	<b>SU</b>
	E	290	A	471	

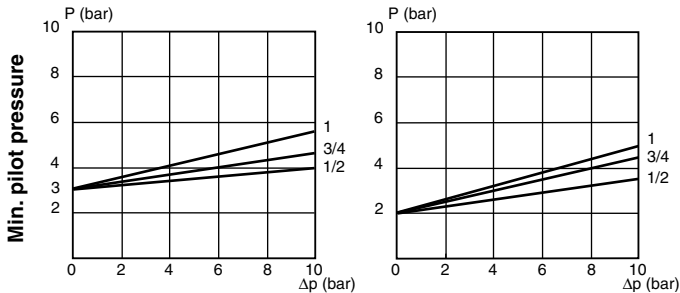
pipe thread ———— basic number ———— suffix

### MINIMUM PILOT PRESSURE

NO valves, entry under the disc

50 mm operator

63 mm operator

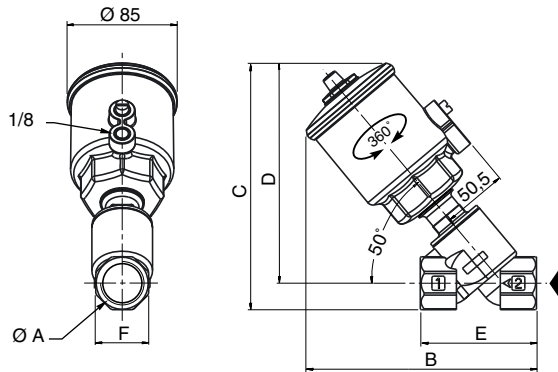
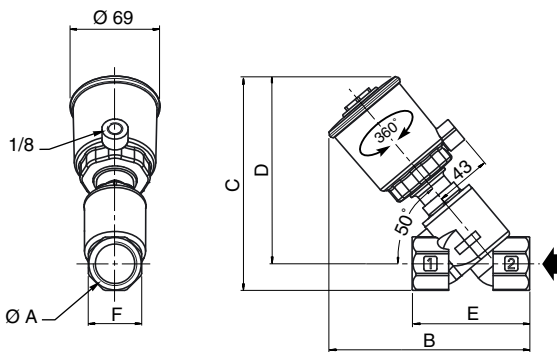
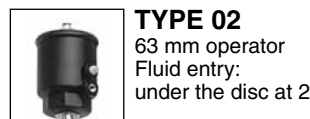
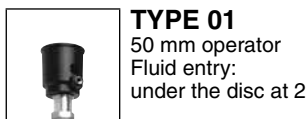


### ORDERING EXAMPLES KITS:

	C140204
	C140205

basic number ————

### DIMENSIONS (mm), WEIGHT



type	operator diameter	ØA	B	C	D	E	ØF	weight <sup>(1)</sup>
01	50 mm	1/2	139	146	133	65	27	0,8
		3/4	147	154	136	75	32	0,9
		1	164	164	144	90	41	1,2
02	63 mm	1/2	163	173	159,5	65	27	1
		3/4	171	181	165	75	32	1,1
		1	178,5	191	170,5	90	41	1,4

<sup>(1)</sup> Weight of valve without pilot.

Solenoid pilot valves: see V439 (50 and 63 mm operators).

