

FEATURES

- Valves do not require a minimum operating pressure and have a high operating pressure as indicated
- Valve operation is not affected by mounting position
- The solenoid valves satisfy all relevant EC directives

GENERAL

Differential pressure
Maximum viscosity
Response time

See «SPECIFICATIONS» [1 bar = 100 kPa]
65 cSt (mm²/s)
5 - 25 ms

| fluids (*) | temperature range (TS) | seal materials (*) |
|----------------------------|--------------------------------------|-------------------------------------|
| air, inert gas, water, oil | - 20°C to + 90°C - 20°C to + 40°C | NBR (nitrile) UR (cast urethane) |

MATERIALS IN CONTACT WITH FLUID

(*) Ensure that the compatibility of the fluids in contact with the materials is verified

| | |
|---------------------------|------------------------------|
| Body | Stainless steel, AISI 303 SS |
| Core tube | Stainless steel |
| Core and plugnut | Stainless steel |
| Springs | Stainless steel |
| Seat | Stainless steel |
| Seals | NBR |
| Disc | NBR or UR |
| Disc holder (NO function) | PA |
| Shading coil | Silver |

ELECTRICAL CHARACTERISTICS

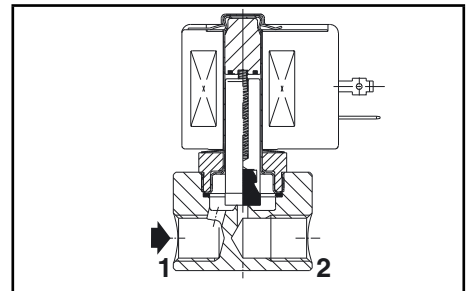
| | |
|---------------------------------------|--|
| Coil insulation class | F |
| Connector | Spade plug (cable Ø 6-10 mm) |
| Connector specification | ISO 4400 / EN 175301-803, form A |
| Electrical safety | IEC 335 |
| Electrical enclosure protection | Moulded IP65 (EN 60529) |
| Standard voltages | DC (=) : 24V - 48V AC (~) : 24V - 48V - 115V - 230V / 50 Hz |
| (Other voltages and 60 Hz on request) | |

| prefix option | power ratings | | | | operator ambient temperature range (TS) (C°) | replacement coil | | type ⁽¹⁾ |
|---------------|---------------|-----------|------------|----------|--|------------------|------------|---------------------|
| | inrush ~ | holding ~ | hot/cold = | | | ~ | = | |
| | (VA) | (VA) | (W) | (W) | | 230 V/50 Hz | 24 V DC | |
| SC | 34 | 15,6 | 6 | 7 / 9,7 | -20 to + 75 | 400325-117 | 400325-142 | 01 |
| | 30 | 22,5 | 9 | 9,5/15,3 | -20 to + 50 | 400325-217 | 400325-242 | 01 |
| | 55 | 23 | 10,5 | 9/11,2 | -20 to + 75 | 400425-117 | 400425-142 | 02 |
| | 78 | 35 | 16,7 | - | -20 to + 50 | 400425-217 | - | 02 |
| | - | - | - | 14/19,7 | -20 to + 25 | - | 400425-342 | 02 |

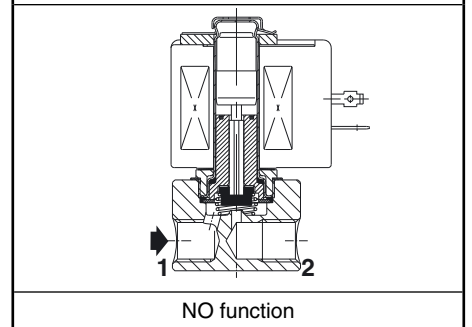
(1) Refer to the dimensional drawings on the following page.

SPECIFICATIONS

| pipe size | orifice size | flow coefficient Kv | | operating pressure differential (bar) | | | | | | | power coil (W) | | catalogue number | options | | | | |
|--|--------------|---------------------|---------|---------------------------------------|-----------|-----------|---------|-----|-----|------|----------------|------------|------------------|--------------------------|-----|------|----|------|
| | | | | min. | max. (PS) | | | | | | | | | maintained man. operator | FPM | EPDM | CR | PTFE |
| | | | | | air (*) | water (*) | oil (*) | | ~ | = | | | | | | | | |
| NPT | (mm) | (m ³ /h) | (l/min) | | ~ | = | ~ | = | ~ | = | ~ | = | | | | | | |
| NC - Normally closed, NBR seals and disc | | | | | | | | | | | | | | | | | | |
| 1/4 | 1,2 | 0,05 | 0,8 | 0 | 50 | 35 | 50 | 35 | 35 | 35 | 6 | 9,7 | SCB262C080 | - | V | E | J | T |
| | 2,4 | 0,15 | 2,8 | 0 | 25 | 10 | 23 | 8 | 11 | 8 | 6 | 9,7 | SCB262C086 | MO | V | E | J | T |
| | 3,2 | 0,3 | 5 | 0 | 9 | 4 | 11 | 4 | 8 | 4 | 6 | 9,7 | SCB262C007 | - | V | E | J | T |
| | 4 | 0,43 | 7,2 | 0 | 12 | 2,5 | 13 | 2,5 | 10 | 3 | 10,5 | 11,2 | SCB262C220 | - | V | E | J | T |
| | 5,6 | 0,62 | 10,3 | 0 | 6,5 | 1,7 | 6,5 | 1,7 | 6,5 | 1,7 | 10,5 | 11,2 | SCB262C226 | - | V | E | J | T |
| | | 0,73 | 12,2 | 0 | 2,5 | 1,2 | 3 | 1,3 | 2,5 | 1,3 | 6 | 9,7 | SCB262C036 | MO | V | E | J | T |
| | 7,1 | 0,82 | 13,7 | 0 | 1,8 | 1 | 2,5 | 1 | 1,9 | 1 | 6 | 9,7 | SCB262C038 | MO | V | E | J | T |
| 0,75 | | 12,5 | 0 | 6 | 1,7 | 6 | 1,3 | 6 | 1,3 | 16,7 | 19,7 | SCB262B230 | MO | V | E | J | T | |
| NC - Normally closed, NBR seals and UR disc | | | | | | | | | | | | | | | | | | |
| 1/4 | 1,2 | 0,05 | 0,8 | 0 | 150 | 32 | 135 | 32 | 75 | 30 | 10,5 | 11,2 | SCB262B214 | - | - | - | - | T |
| NO - Normally open, NBR seals and disc | | | | | | | | | | | | | | | | | | |
| 1/4 | 3,2 | 0,3 | 5 | 0 | 9 | 5,5 | 7 | 4 | 6,5 | 4 | 10,5 | 11,2 | SCB262A138 | - | V | E | J | T |
| | 4 | 0,43 | 7,2 | 0 | 5,5 | 3 | 5 | 2 | 4 | 2 | 10,5 | 11,2 | SCB262A142 | - | V | E | J | T |
| | 5,6 | 0,73 | 12,2 | 0 | 4,5 | - | 4,5 | - | 4 | - | 10,5 | - | SCB262A148 | - | V | E | J | T |
| | 7,1 | 0,82 | 13,7 | 0 | 3 | - | 2,5 | - | 2 | - | 10,5 | - | SCB262A152 | - | V | E | J | T |
| NO - Normally open, NBR seals and UR disc | | | | | | | | | | | | | | | | | | |
| 1/4 | 1,2 | 0,05 | 0,8 | 0 | 50 | 35 | 48 | 35 | 48 | 35 | 10,5 | 11,2 | SCB262A130 | - | - | - | - | T |
| | 2,4 | 0,17 | 2,8 | 0 | 20 | 13 | 17 | 10 | 16 | 8 | 10,5 | 11,2 | SCB262A134 | - | - | - | - | T |



NC function



NO function

OPTIONS

- Valves can also be supplied with FPM (fluoroelastomer), EPDM (ethylene-propylene), CR (chloroprene) and PTFE seals and discs. Use the appropriate optional suffix letter for identification
- Waterproof enclosure with embedded screw terminal coil according to protection class IP67, CEE-10
- Explosionproof enclosures for use in zones 1/21-2/22, categories 2-3 to ATEX Directive 94/9/EC (see "Explosionproof solenoids" section)
- Electrical enclosures according to "NEMA" standards are available
- Compliance with "UL", "CSA" and other local approvals available on request
- Other pipe connections are available on request
- Plug with visual indication and peak voltage suppression or with cable length of 2 m (see Solenoids, Coils & Accessories section)

INSTALLATION

- The solenoid valves can be mounted in any position without affecting operation
- Valves are standard supplied with mounting brackets
- Pipe connection identifier is B = NPT (ANSI 1.20.3)
- Installation/maintenance instructions are included with each valve

SPARE PARTS KIT & ACCESSORIES

| catalogue number | spare parts kit no. | | mounting bracket no. |
|--------------------|---------------------|---------|----------------------|
| | ~ | = | |
| SCB262C007/080/086 | C302020 | C302070 | 254573-001 |
| SCB262C036/038 | C302024 | C302070 | 254573-001 |
| SCB262C214 | C304365 | C304365 | 254573-001 |
| SCB262C220/226/230 | C304352 | C304352 | 254573-001 |
| SCB262A130/134 | C302047 | C302078 | 254573-001 |
| SCB262A138/142 | C302053 | C302082 | 254573-001 |
| SCB262A148/152 | C302055 | C302082 | 254573-001 |

⁽¹⁾ Standard prefixes/suffixes are also applicable to kits.

ORDERING EXAMPLES:

| | | | | | |
|----|---|-----|---|-----|-----------------|
| SC | B | 262 | C | 080 | 230V / 50 Hz |
| SC | B | 262 | C | 086 | MO 115V / 50 Hz |
| SC | B | 262 | C | 220 | V 24V / DC |
| SC | B | 262 | A | 130 | T 230V / 50 Hz |

prefix pipe thread basic number voltage suffix

ORDERING EXAMPLES KITS:

| | |
|------------------------|---|
| C302020 ⁽¹⁾ | |
| C302024 | V |
| C304365 | T |

basic number suffix

DIMENSIONS (mm), WEIGHT (kg)



TYPE 01-02
Prefix "SC" Solenoid
Epoxy moulded
IEC 335 / ISO 4400
IP65

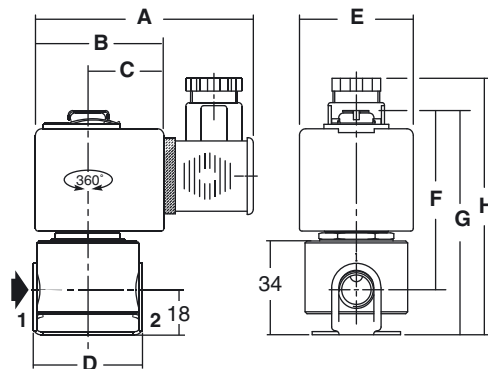
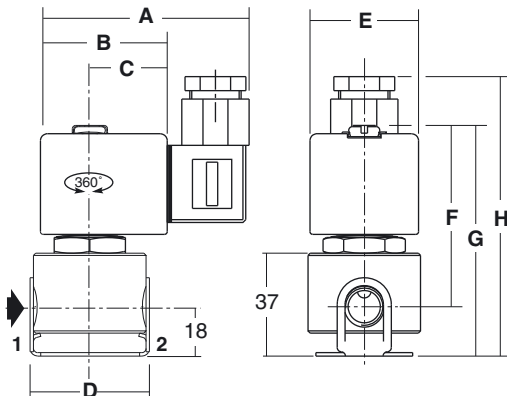
Type 01: SCB262C080/086/007/036/038

Type 02: SCB262C220/C226/B230/B214



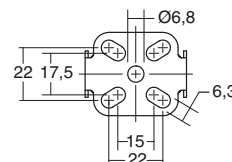
TYPE 02
Prefix "SC" Solenoid
Epoxy moulded
IEC 335 / ISO 4400
IP65

SCG262A138/A142/A148/A152/A130/A134



| type | prefix option | A | B | C | D | E | F | G | H | weight ⁽²⁾ | |
|------|---------------|----|----|----|----|----|----|----|----|-----------------------|-----|
| | | | | | | | | | | NC | NO |
| 01 | SC | 75 | 45 | 27 | 40 | 39 | 65 | 75 | 92 | 0,35 | - |
| 02 | SC | 80 | 50 | 30 | 40 | 45 | 69 | 79 | 96 | 0,6 | 0,5 |

⁽²⁾ including coil and connector.



Bottom view of mounting bracket