





### CONSTRUCTION 07

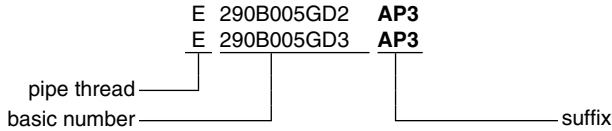
#### Adapter plate for NAMUR pad-mount pilot

- Adaptable on dia. 63, 90 and 125 mm operators
- Stainless steel AISI 316L
- Solenoid pilot valves, series 551, 3/2 NC :  
- St. steel body, AISI316L, catalogue number **SCG551A409** <sup>(1)</sup>

#### TO ORDER (compatibility, see page 1)

- Add suffix  
stainless steel AISI 316L **AP3** (dia. 63 mm operator)  
stainless steel AISI 316L **AP4** (dia. 90 and 125 mm operators)

#### ORDERING EXAMPLE:



### CONSTRUCTION 08

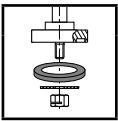
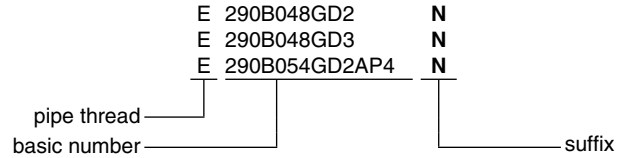
#### Oxygen service

- Special grease and cleaning
- Pressure limited to 15 bar/temperature limited to +60°C

#### TO ORDER (compatibility, see page 1)

- Add suffix N

#### ORDERING EXAMPLE:



### CONSTRUCTION 09

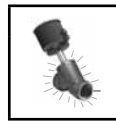
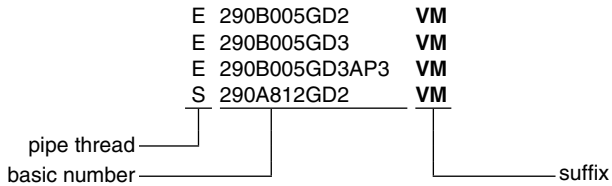
#### Vacuum applications up to 1,33 10<sup>-3</sup> mbar

- FPM disc for use with medium vacuum

#### TO ORDER (compatibility, see page 1)

- Add suffix VM

#### ORDERING EXAMPLE:



### CONSTRUCTION 10

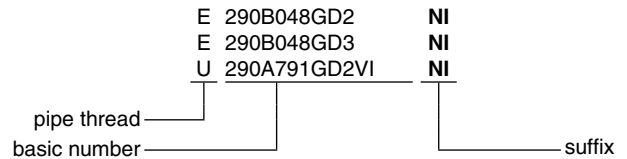
#### NET-INOX treatment

- Stainless steel valve body pickled in nitric/hydrofluoric acid bath
- Treatment recommended for aggressive environments
- Standard on valves with CLAMP-type connections and all stainless steel AISI 316L valves

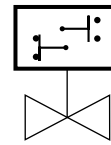
#### TO ORDER (compatibility, see page 1)

- Add suffix NI

#### ORDERING EXAMPLE:



<sup>(1)</sup> Consult our catalogue «Pilot Valves for the Process Industry» at: [www.asconumatics.eu](http://www.asconumatics.eu)



### FEATURES

- The signaling box fits all series 290 (2/2) and 390 (3/2) valves with **50 mm (NC)** and **63 to 125 mm (NC/NO)** operators to indicate whether the valve is open or closed
- The version with 2 intrinsically safe inductive NAMUR contacts is designed for use in potentially explosive atmospheres to ATEX-Directive 94/9/EC
- Compliance with the Essential Health and Safety Requirements has been assured by compliance with European Standards **EN 50020**, **EN 50281-1-1** and **EN 50284**
- The signaling box is supplied installed and pre-adjusted on the valve. It is rotatable through 360°

### GENERAL/OPERATION

At both end-of-travel positions (open and closed) of the valve stem, cams on the signaling box plunger operate contacts which provide an electrical signal indicating that the end position is reached.

### CONSTRUCTION

**Body** PA  
**Cover** PA, transparent  
**Degree of protection** IP65  
**Unit can be rotated through 360° around the centreline of the valve operator (set screw)**

### ELECTRICAL CHARACTERISTICS

#### intrinsically safe inductive NAMUR contacts

The protection rating of the installed signaling box depends on the type of selected valve (see page 1).

Contact characteristics:

- Power supply: 8 V DC nominal
- Switching frequency: 1 kHz

Protection rating of contacts:

- ⊕ II 1 G EEx ia IIC T6
- II 1 D EEx ia D20 T 108°C

• Safety parameters:

- $U_i = 16\text{ V}$
- $I_i = 25\text{ mA}$
- $P_i = 34\text{ mW}$
- $C_i = 40\text{ nF}$
- $L_i = 50\text{ }\mu\text{H}$

• Recommended interfaces:

- galvanic barrier*  
Pepperl & Fuchs type KFA6-SR2-EX1.W  
MTL instruments type MTL5011B
- ZENER barrier*  
MTL instruments type MTL7742

### Electrical connection

intrinsically safe inductive NAMUR contacts

2 terminal strips with 5 screw terminals

### Maximum grip

2,5 mm<sup>2</sup>

### Cable entry

1 Pg 11P cable gland

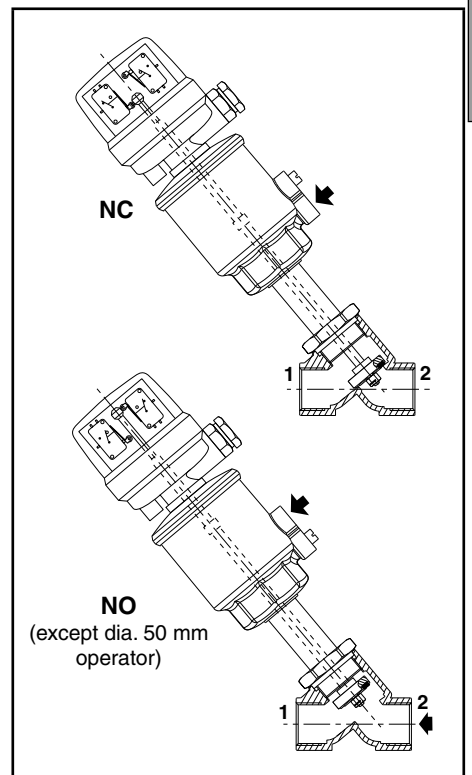
### SPECIFICATIONS

operator	suffix <sup>(1)</sup> Signaling box <b>supplied installed on valve</b> 2 intrinsically safe  inductive contacts
Dia. 50 mm (NC) Dia. 63, 90, 125 mm (NC-NO)	<b>SH2</b>

<sup>(1)</sup> Add the appropriate suffix after the catalogue number of the selected valve, example:

- catalogue number of valve alone **E290B010**

- valve + pre-installed signaling box with intrinsically safe inductive contacts = **E290B010 SH2** (the signaling box is supplied installed on the valve and pre-adjusted)



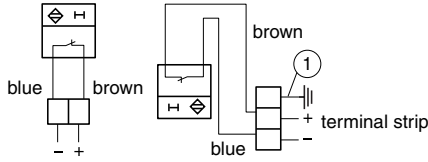
**D**

### OPTIONS

- Other types of contacts: contact us

### INSTALLATION

- The signaling box can be installed in any position
- Electrical connection:



① Electrical continuity terminal

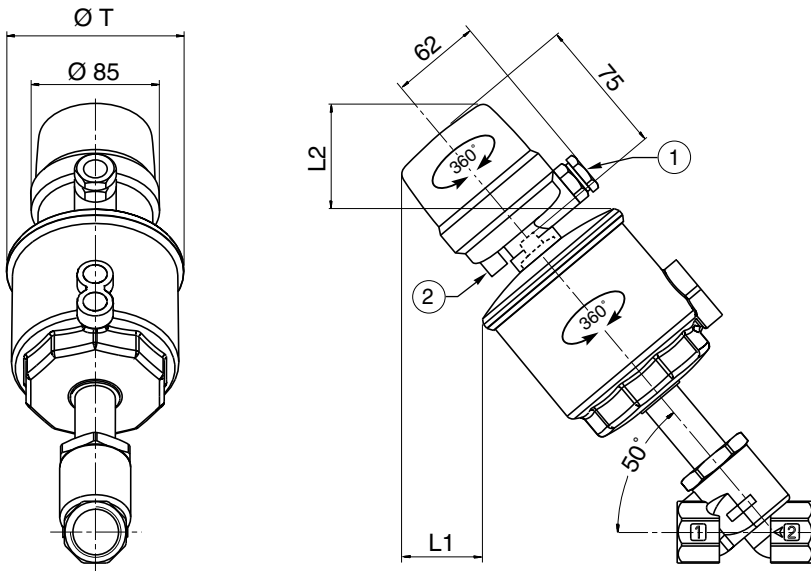
- Installation/maintenance instructions are included with each signaling box

### DIMENSIONS (mm), WEIGHT (kg)

Weight of unit alone: 0,310

### INSTALLATION ON SERIES 290 & 390

with dia. 50 (NC), 63, 90 or 125 mm operator



operator dia.	50 mm	63 mm	90 mm	125 mm
L1	53	46	35	32
L2	75	70	56	50
ø T	65	85	118	156

① 1 cable gland (Pg 11P)

② Unit rotation lock set screw (orientable through 360°)